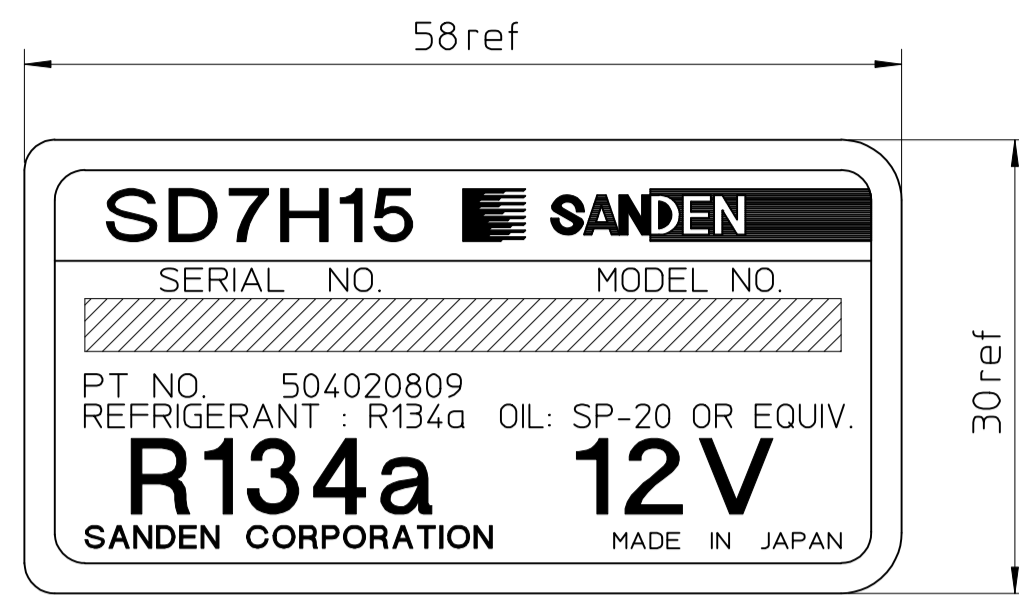
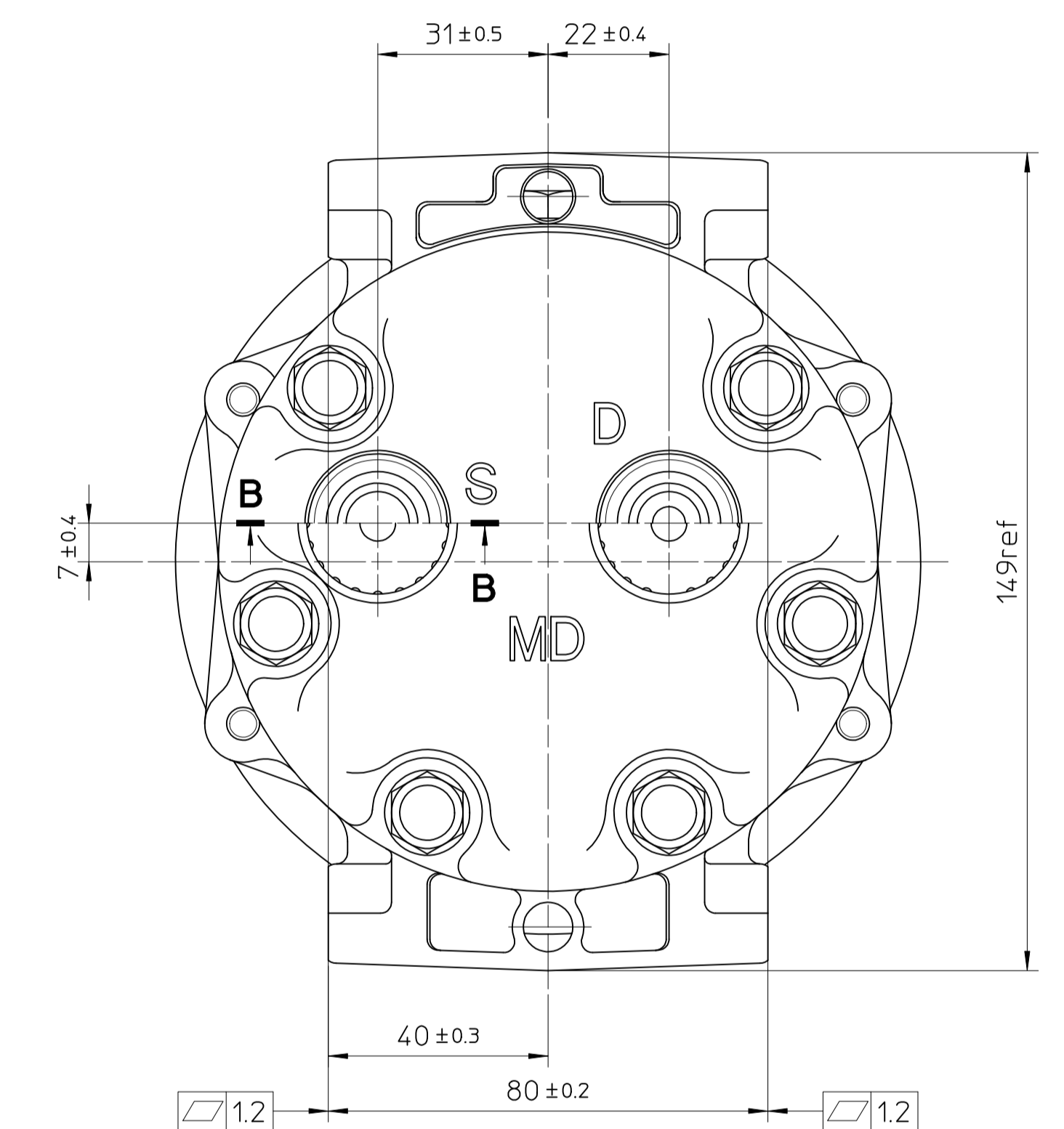
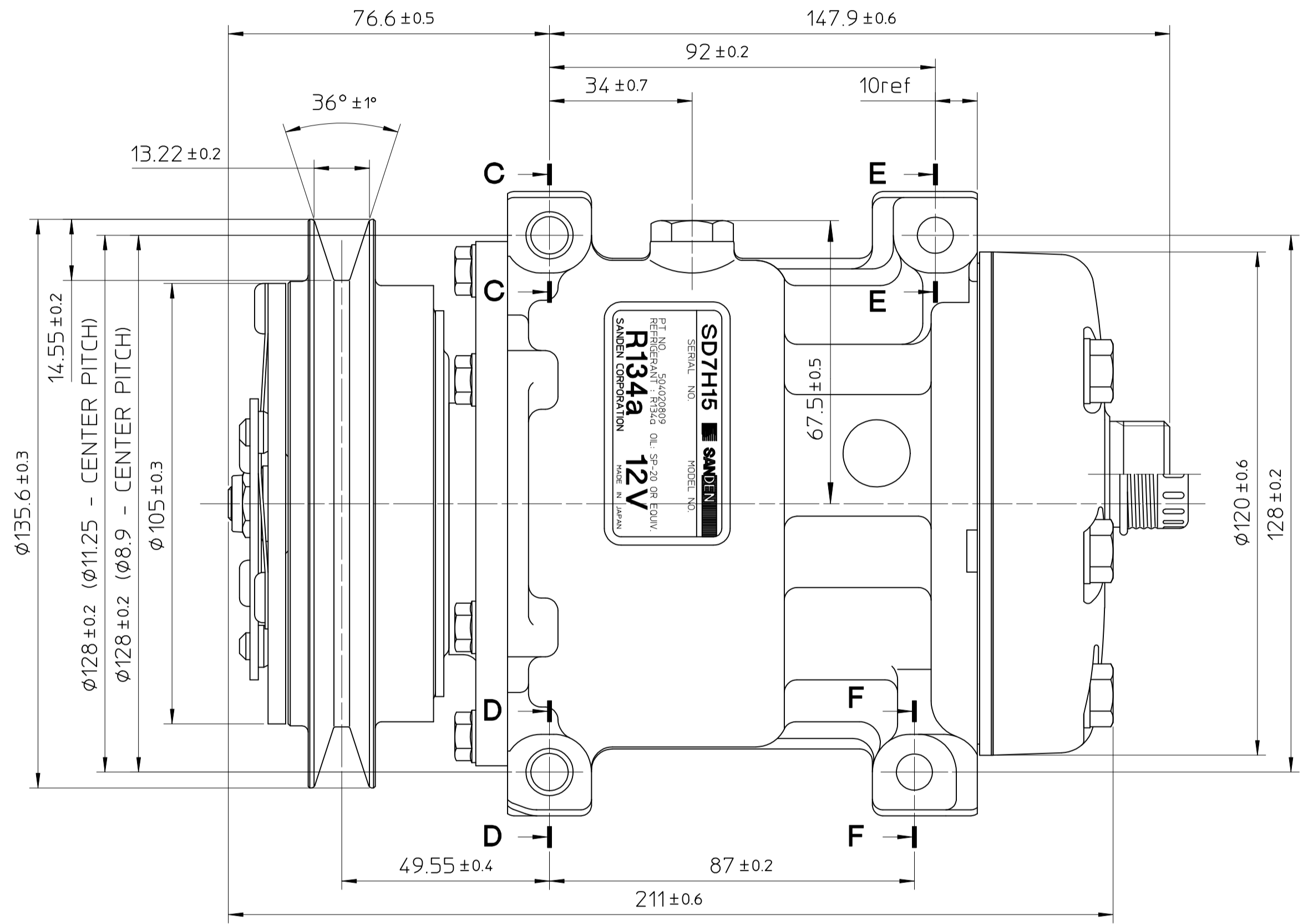
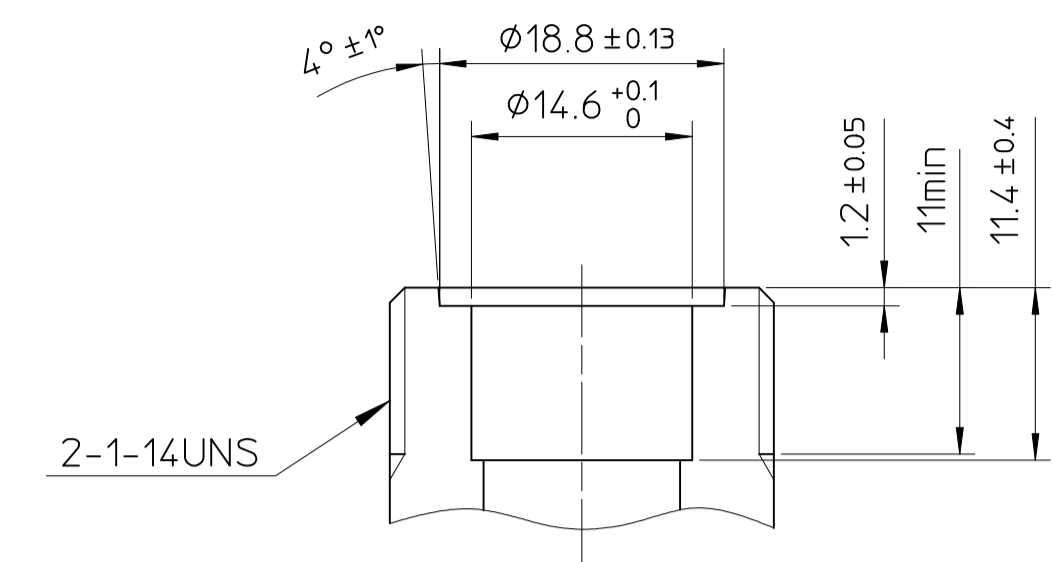


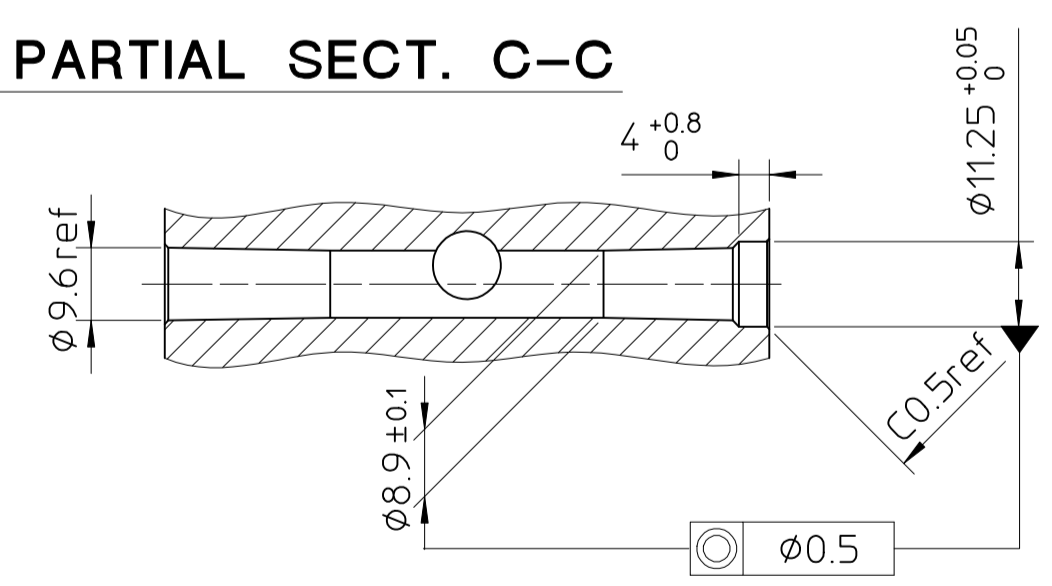
NAME PLATE (2:1)



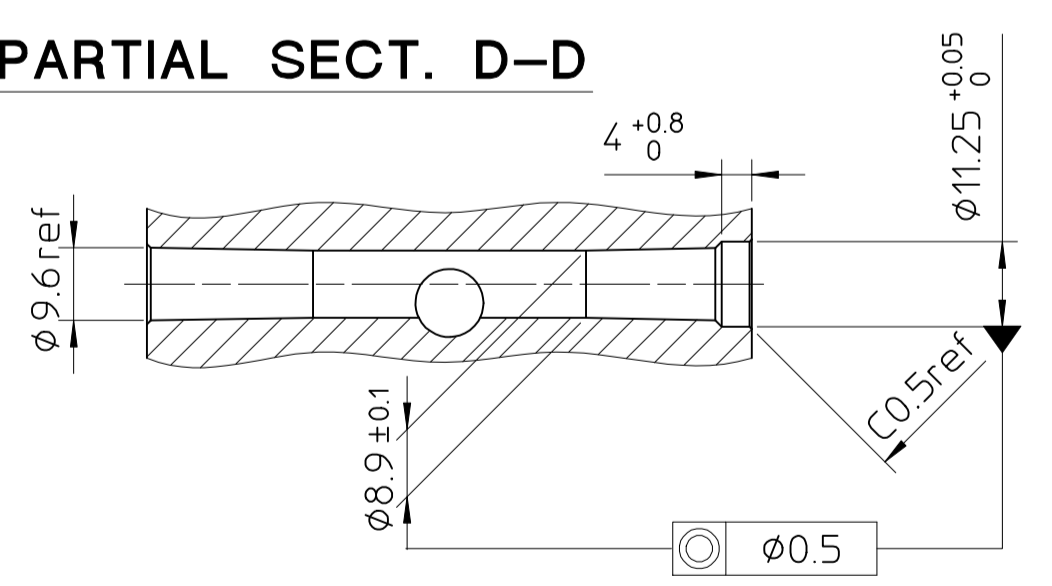
PARTIAL SECT. B-B (2:1)



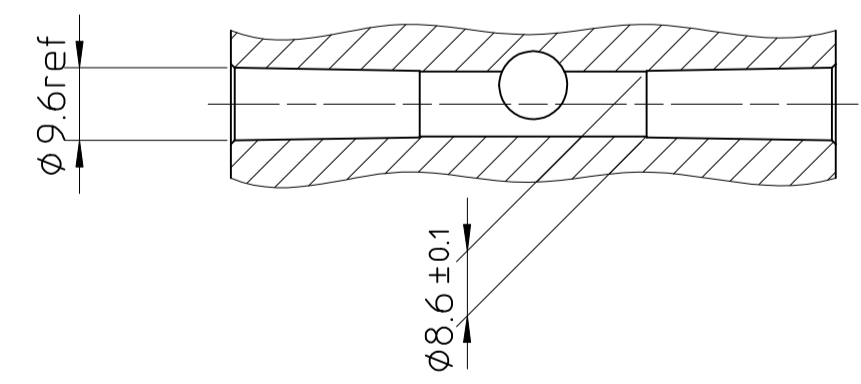
PARTIAL SECT. C-C



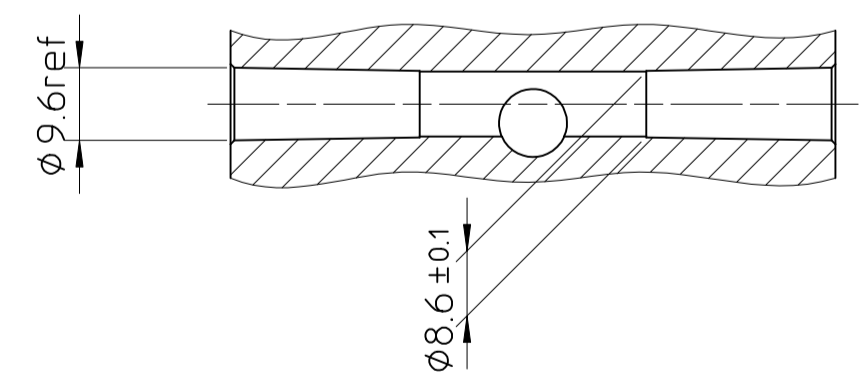
PARTIAL SECT. D-D



PARTIAL SECT. E-E



PARTIAL SECT. F-F



COMPRESSOR SPECIFICATIONS

BORE	29.3	mm
STROKE	32.8	mm
NUMBER OF CYLINDERS	7	
DISPLACEMENT PER REVOLUTION	154.9	cm ³ /rev.
MAXIMUM ALLOWABLE CONTINUOUS SPEED	6000	r.p.m.
MAXIMUM DOWNSHIFT SPEED	7000	r.p.m.
REFRIGERANT	R134a	
OIL	SP-20 OR EQUIVALENT	
OIL CHARGE	200	cm ³
ROTATION (CLUTCH SIDE VIEW)	CLOCKWISE	
WEIGHT		kg

CLUTCH SPECIFICATIONS

RATED VOLTAGE	DC 12	V
MINIMUM BREAKAWAY TORQUE	34	N·m
MINIMUM ENGAGEMENT VOLTAGE	DC 7.5	V
MAXIMUM POWER CONSUMPTION	43	W
MAXIMUM ALLOWABLE CONTINUOUS SPEED	6000	r.p.m.
MAXIMUM DOWNSHIFT SPEED	7000	r.p.m.
BELT TYPE	A	TYPE
PULLEY DIAMETER	135.6	mm
WEIGHT		kg

REVISION RECORD		NO.	BY	DATE	MATERIAL	PART NO.	NAME
					THIRD ANGLE PROJECTION	SCALE 1:1	COMPRESSOR
					DESIGNED BY K.Takeuchi	DATE 24_MAR_2003	MODEL SD7H15MD8174
					CHECKED BY Y.Uchiyama	DATE 24_MAR_2003	DRAWING NO. 8174 - 6000
					APPROVED BY I.Uchikado	DATE 24_MAR_2003	