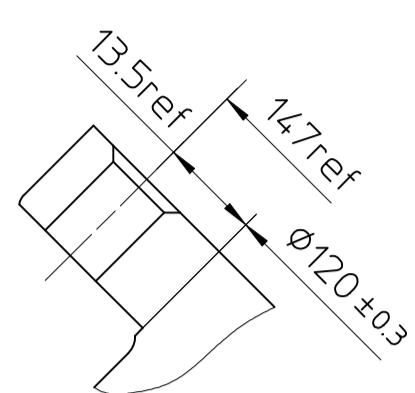
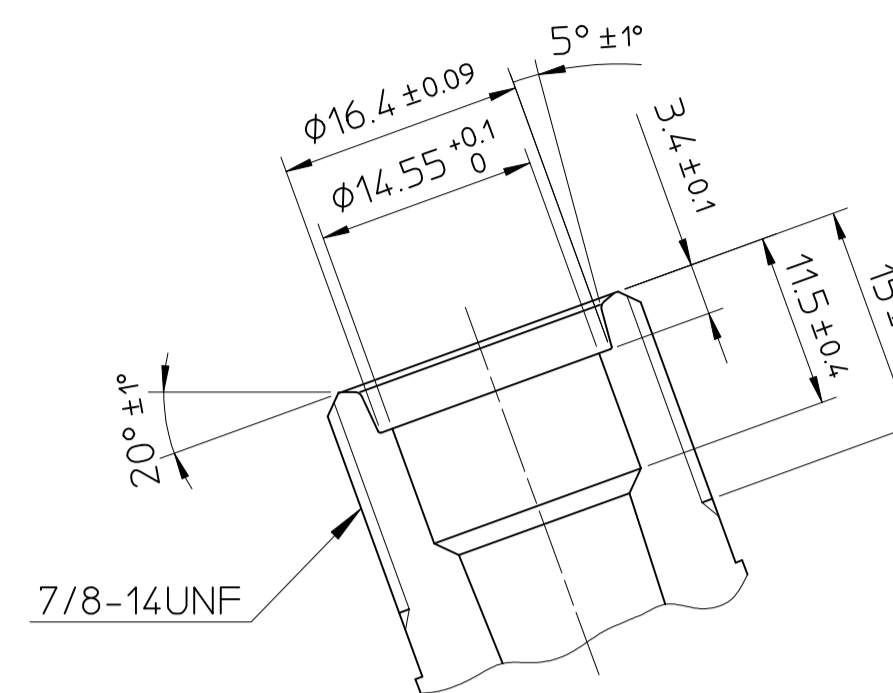


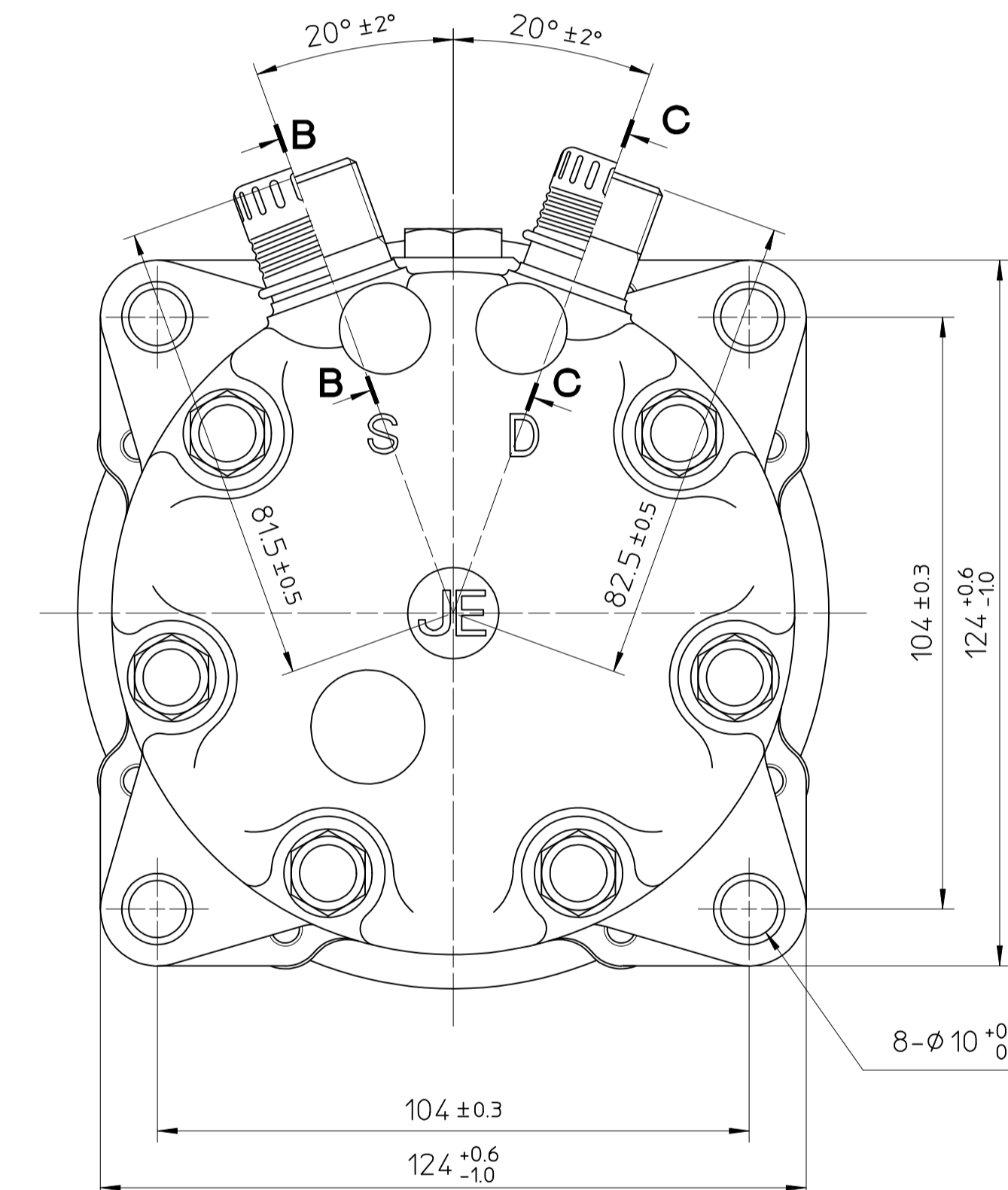
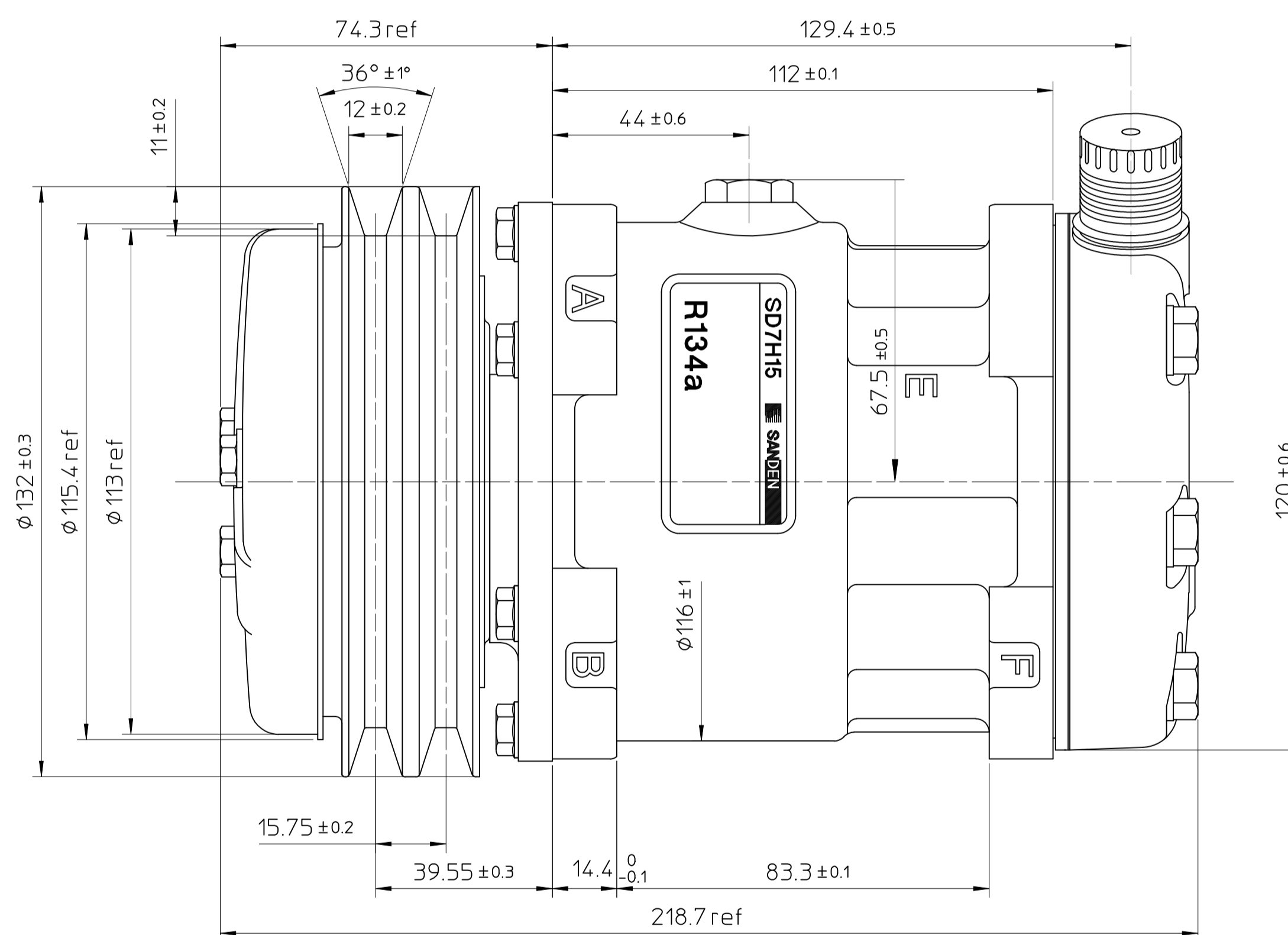
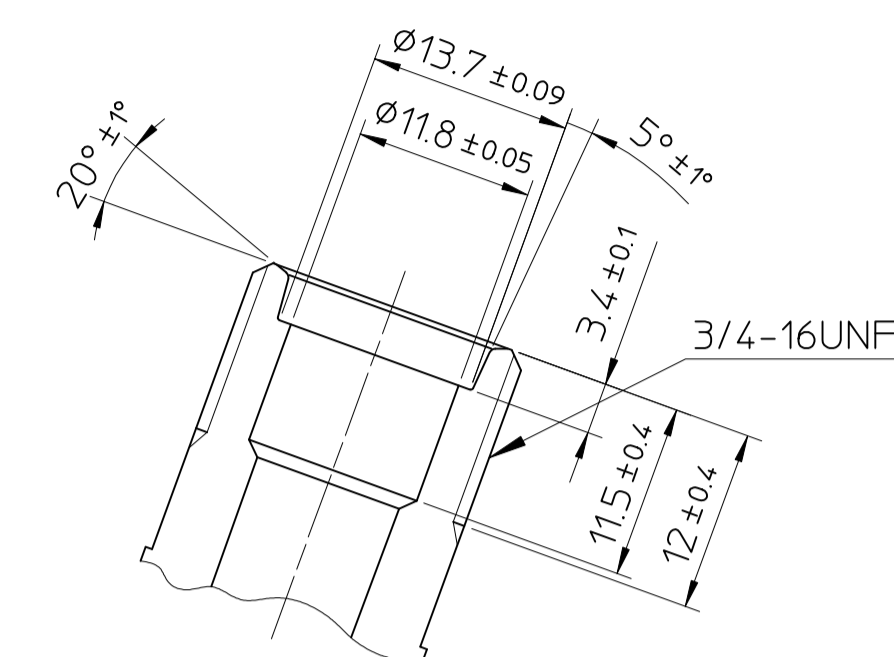
PARTIAL SECT. A-A



PARTIAL SECT.B-B (2:1)



PARTIAL SECT.C-C (2:1)



COMPRESSOR SPECIFICATIONS

BORE	φ29.3	mm
STROKE	32.8	mm
NUMBER OF CYLINDERS	7	
DISPLACEMENT PER REVOLUTION	154.9	cc/rev.
MAXIMUM ALLOWABLE CONTINUOUS SPEED	5000	r.p.m.
MAXIMUM DOWNSHIFT SPEED	5000	r.p.m.
REFRIGERANT	R134a	
OIL	SP-10 OR EQUIVALENT	
OIL CHARGE	135	cc
ROTATION (CLUTCH SIDE VIEW)	CLOCKWISE	
WEIGHT		kg

CLUTCH SPECIFICATIONS

RATED VOLTAGE	DC 24	V
MINIMUM BREAKAWAY TORQUE	3.5	kg · m
MINIMUM ENGAGEMENT VOLTAGE	DC 16	V
MAXIMUM POWER CONSUMPTION	42	W
MAXIMUM ALLOWABLE CONTINUOUS SPEED	5000	r.p.m.
MAXIMUM DOWNSHIFT SPEED	5000	r.p.m.
BELT TYPE	A	TYPE
PULLEY DIAMETER	φ132	mm
WEIGHT		kg

8017

UNCONTROLLED COPY

DESIGNED BY	H.Akuzawa	DATE	16_NOV_1999	MODEL	SD7H15JE8017
CHECKED BY	Y.Matsushima	DATE	16_NOV_1999	DRAWING NO.	8017 - 6000
APPROVED BY	H.Chiyoda	DATE	16_NOV_1999		A
REVISION RECORD		BY	DATE		
FIELD COIL CHANGE		H.A	'99.11.15		