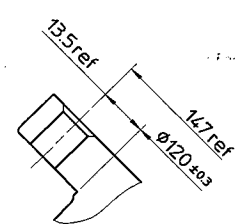


PARTIAL SECT. A-A



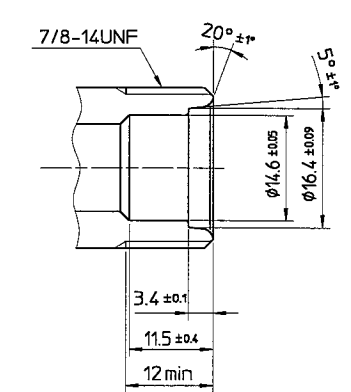
SIE MASTER DRAWING

CHECKED AND APPROVED BY

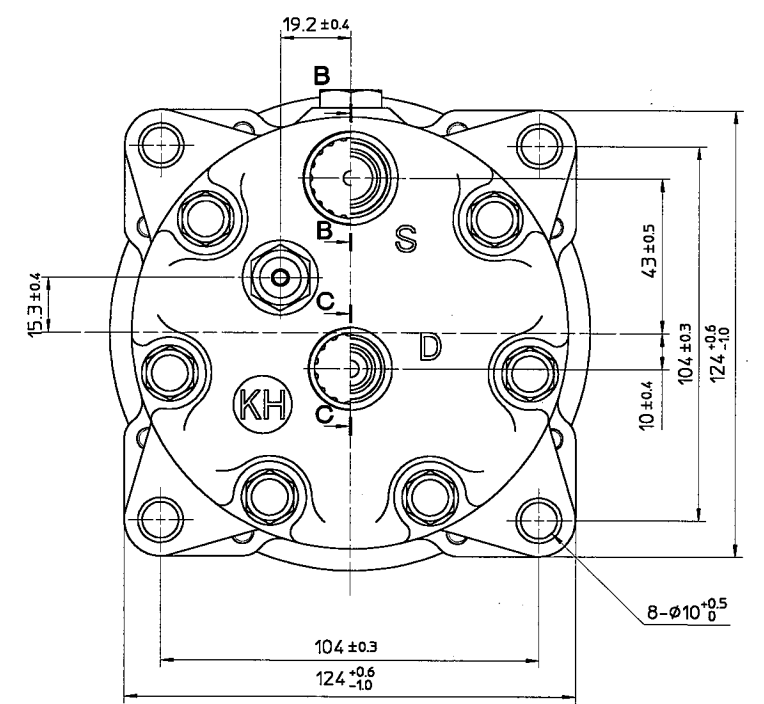
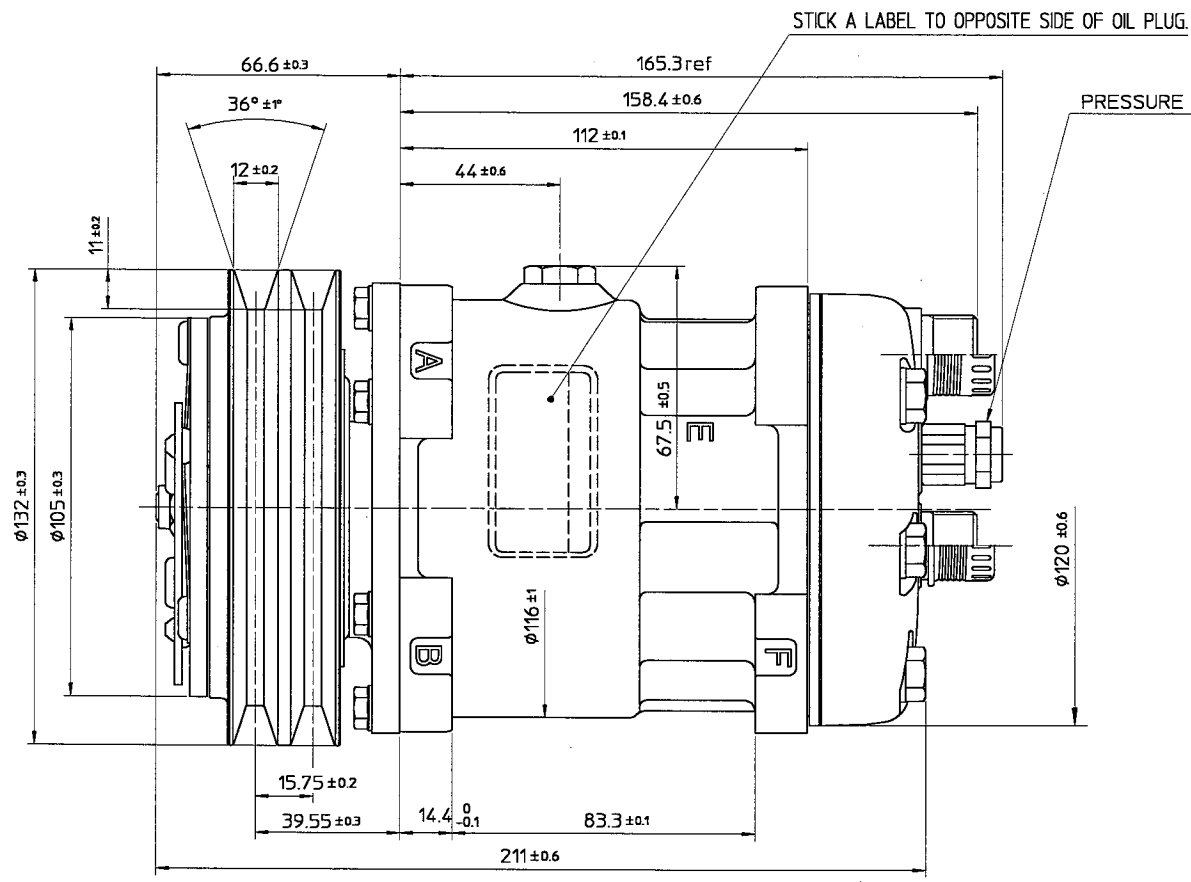
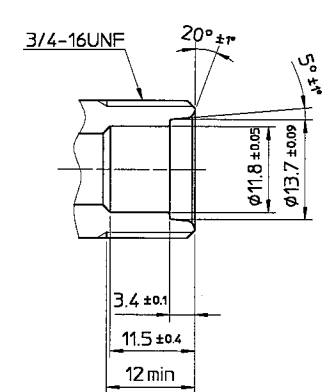
PRINT NAME **M. TABB**

DATE **24 JAN '00**

PARTIAL SECT. B-B (2:1)



PARTIAL SECT. C-C (2:1)



COMPRESSOR SPECIFICATIONS

| | |
|------------------------------------|-----------------|
| BORE | Ø29.3 mm |
| STROKE | 32.8 mm |
| NUMBER OF CYLINDERS | 7 |
| DISPLACEMENT PER REVOLUTION | 154.9 cc/rev. |
| MAXIMUM ALLOWABLE CONTINUOUS SPEED | 6000 r.p.m. |
| MAXIMUM DOWNSHIFT SPEED | 7000 r.p.m. |
| REFRIGERANT | R-134a |
| OIL | SP-20 OR EQUIV. |
| OIL CHARGE | 175 cc |
| ROTATION | CLOCKWISE |
| WEIGHT | kg |

CLUTCH SPECIFICATIONS

| | |
|------------------------------------|-------------|
| RATED VOLTAGE | DC 24 V |
| MINIMUM BREAKAWAY TORQUE | 3.5 kg·m |
| MINIMUM ENGAGEMENT VOLTAGE | DC 16 V |
| MAXIMUM POWER CONSUMPTION | 42 W |
| MAXIMUM ALLOWABLE CONTINUOUS SPEED | 6000 r.p.m. |
| MAXIMUM DOWNSHIFT SPEED | 7000 r.p.m. |
| BELT TYPE | A TYPE |
| PULLEY DIAMETER | Ø132 mm |
| WEIGHT | kg |

BOLT SURFACE TREATMENT SPECIFICATION

Fe/Zn 5µ BLACK CROMATE

PRESSURE RELIEF VALVE SPECIFICATION

RELIEVED PRESSURE : 38±3bar

UNCONTROLLED COPY

| | | | | | |
|---|----|------------------|-------------|-------------------------|--|
| MATERIAL | | PART NO. | | NAME | |
| THIRD ANGLE PROJECTION | | SCALE 1:1 | | COMPRESSOR | |
| DESIGNED BY H.Akuzawa | | DATE 16 NOV 1999 | | MODEL SD7H15KH7982 | |
| CHECKED BY Y.Matsushima | | DATE 16 NOV 1999 | | DRAWING NO. 7982 - 6000 | |
| APPROVED BY H.Chiyoda | | DATE 16 NOV 1999 | | A | |
| CHANGE OF PROTECTIVE TUBE LENGTH H.A. 15 NOV 99 | | | | | |
| REVISION RECORD | | | | | |
| NO. | BY | DATE | APPROVED BY | DATE | |