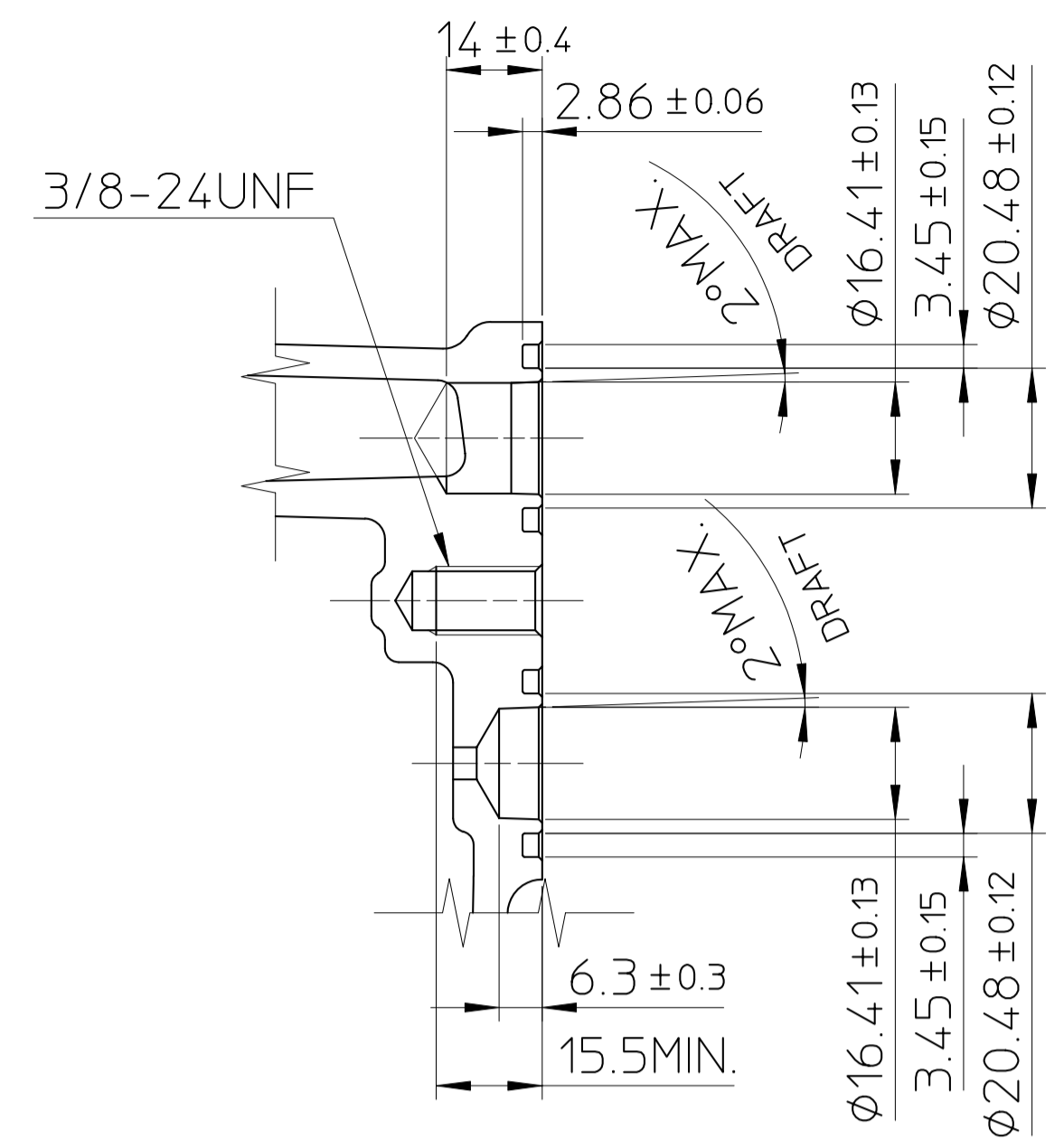
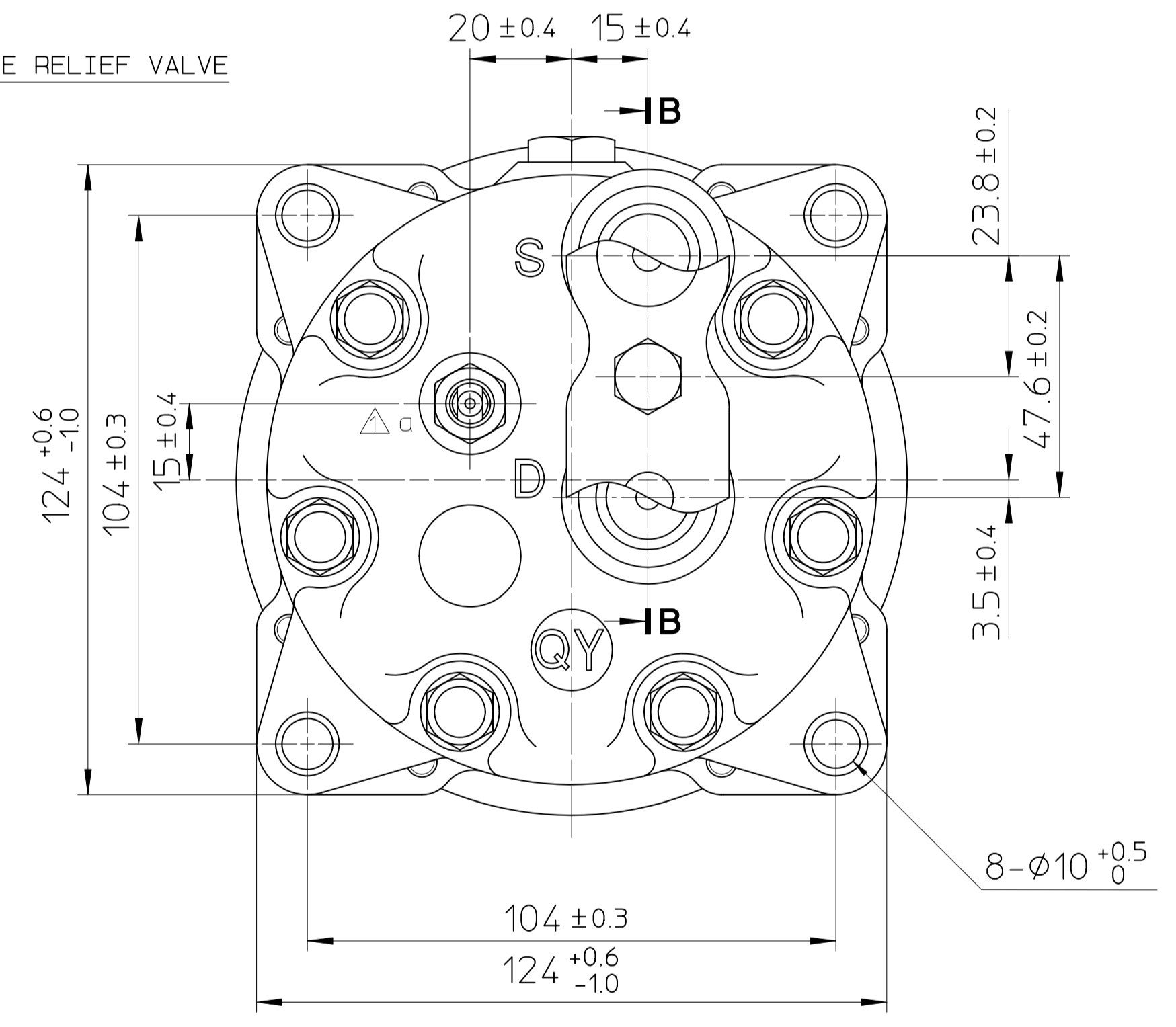
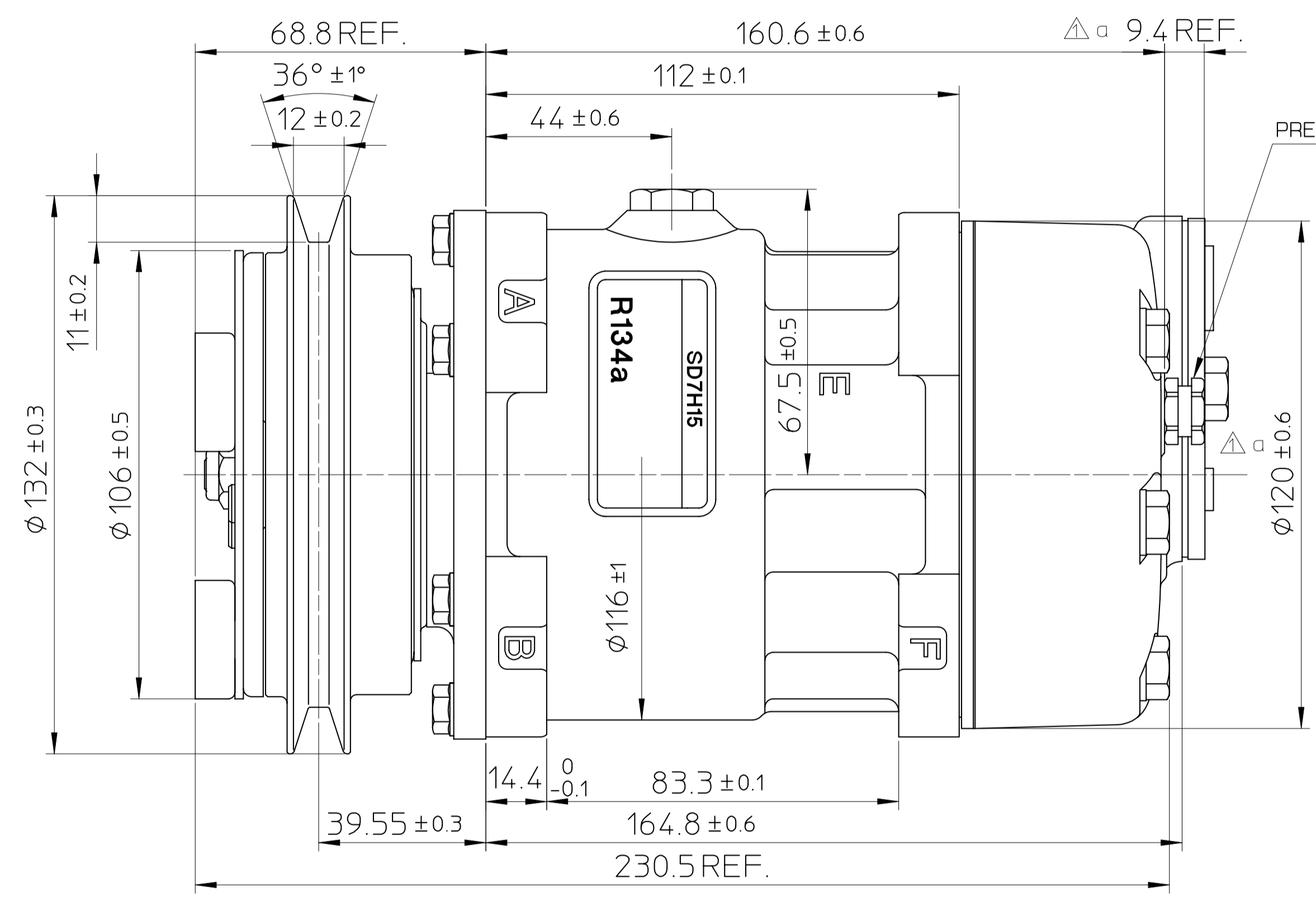


PARTIAL SECT. A-A



PARTIAL SECT. B-B



COMPRESSOR SPECIFICATIONS

BORE	Ø 29.3 mm (1.15 in.)
STROKE	32.8 mm (1.29 in.)
DISPLACEMENT PER REVOLUTION	154.9 cc/rev.(9.5 cu.in./rev.)
NUMBER OF CYLINDERS	7
MAXIMUM ALLOWABLE r.p.m.	7000 r.p.m.
MAXIMUM ALLOWABLE CONTINUOUS r.p.m.	6000 r.p.m.
REFRIGERANT	R-134a
OIL (SP-20 OR EQUIV.)	135 cc (4.6 fl.oz.)
WEIGHT	kg (lb)

CLUTCH SPECIFICATIONS

RATED VOLTAGE	DC 12 V
BREAKAWAY TORQUE	3.5 kg-m (25.3 ft-lb)
MINIMUM ENGAGEMENT VOLTAGE	7.5 V MAX.
POWER CONSUMPTION	49 W (CU)
MAXIMUM ALLOWABLE r.p.m.	7000 r.p.m.
MAXIMUM ALLOWABLE CONTINUOUS r.p.m.	6000 r.p.m.
BELT TYPE	A TYPE
PULLEY DIAMETER	Ø 132 mm (5.2 in.)
WEIGHT	kg (lb)

NOTE
COMPLIES WITH EU ELV DIRECTIVE 2000/53/EC.

△	MATERIAL	PART NO.	NAME
△	THIRD ANGLE PROJECTION	SCALE 1 : 1	COMPRESSOR
△	DESIGNED BY	DATE	MODEL SD7H15QY7954
△	CHECKED BY	DATE	DRAWING NO. 7954 - 6000
△	APPROVED BY	DATE	A
NO.	REVISION RECORD	BY DATE	