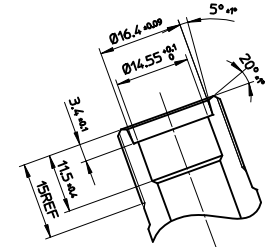
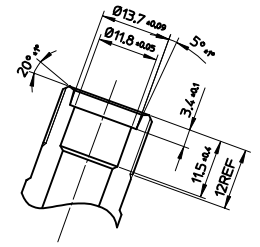


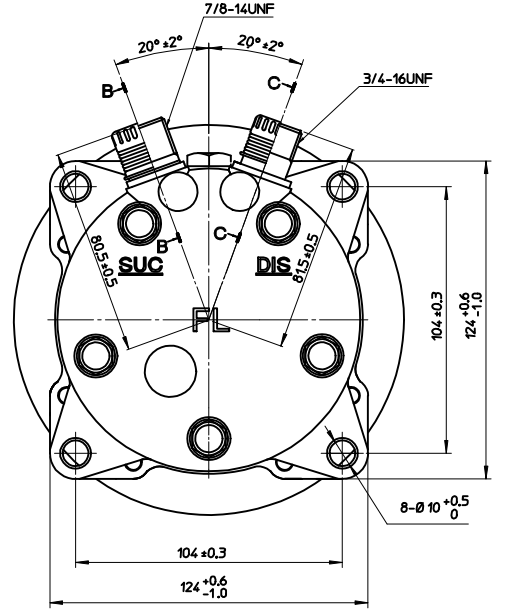
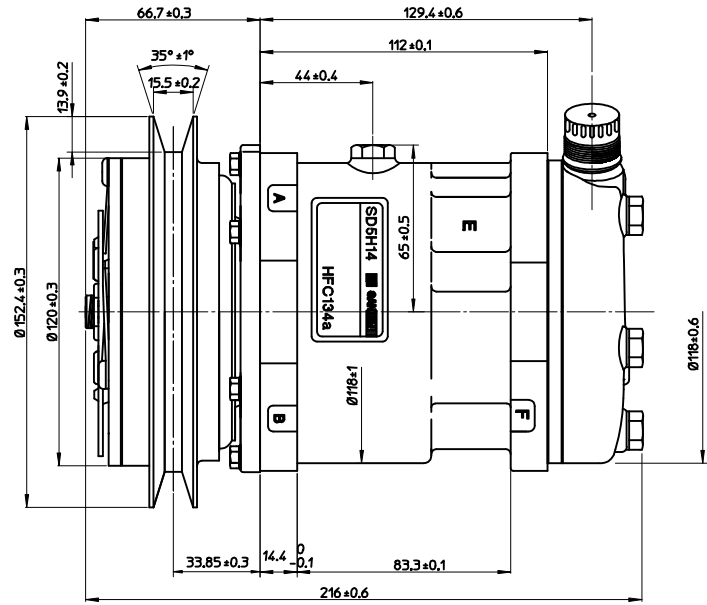
PARTIAL SECT A-A



PARTIAL SECT B-B (2:1)



PARTIAL SECT C-C (2:1)



**COMPRESSOR SPECIFICATIONS**

BORE	Ø35 mm
STROKE	28.6 mm
DISPLACEMENT PER REVOLUTION	138 cc/rev
NUMBER OF CYLINDERS	5
MAXIMUM ALLOWABLE r.p.m.	7000 r.p.m.
MAXIMUM ALLOWABLE CONTINUOUS r.p.m.	6000 r.p.m.
REFRIGERANT	HFC134a
OIL (SP-20 OR EQUIV.)	210 cc
ROTATION (CLUTCH SIDE VIEW)	CLOCKWISE
WEIGHT	kg

**CLUTCH SPECIFICATIONS**

RATED VOLTAGE	DC 12 V
BREAKAWAY TORQUE	3.5 kg-m
MINIMUM ENGAGEMENT VOLTAGE	7.5 V max
POWER CONSUMPTION	50 W (AL)
MAXIMUM ALLOWABLE r.p.m.	7000 r.p.m.
MAXIMUM ALLOWABLE CONTINUOUS r.p.m.	6000 r.p.m.
BELT TYPE	B
PULLEY DIAMETER	Ø152mm
WEIGHT	kg

MATERIAL	PART NO.	NAME
	6681	COMPRESSOR
THIRD ANGLE PROJECTION	SCALE	1:1
DESIGNED BY	DATE	MODEL
MICHAEL CHEE	14.02.01	SD5H14FL6681
DRAWN BY	DATE	DRAWING NO.
HINDRU IDA	14.02.01	6681-6000S
APPROVED BY	DATE	
HINDRU IDA	14.02.01	
REVISION RECORD		
NO.	BY	DATE