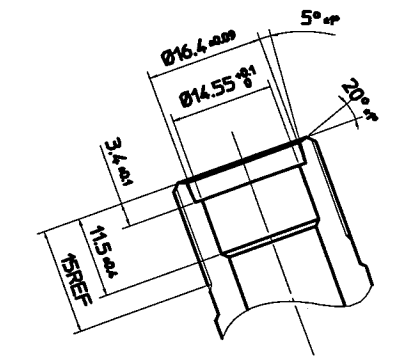
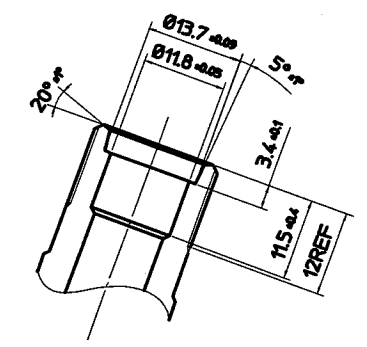


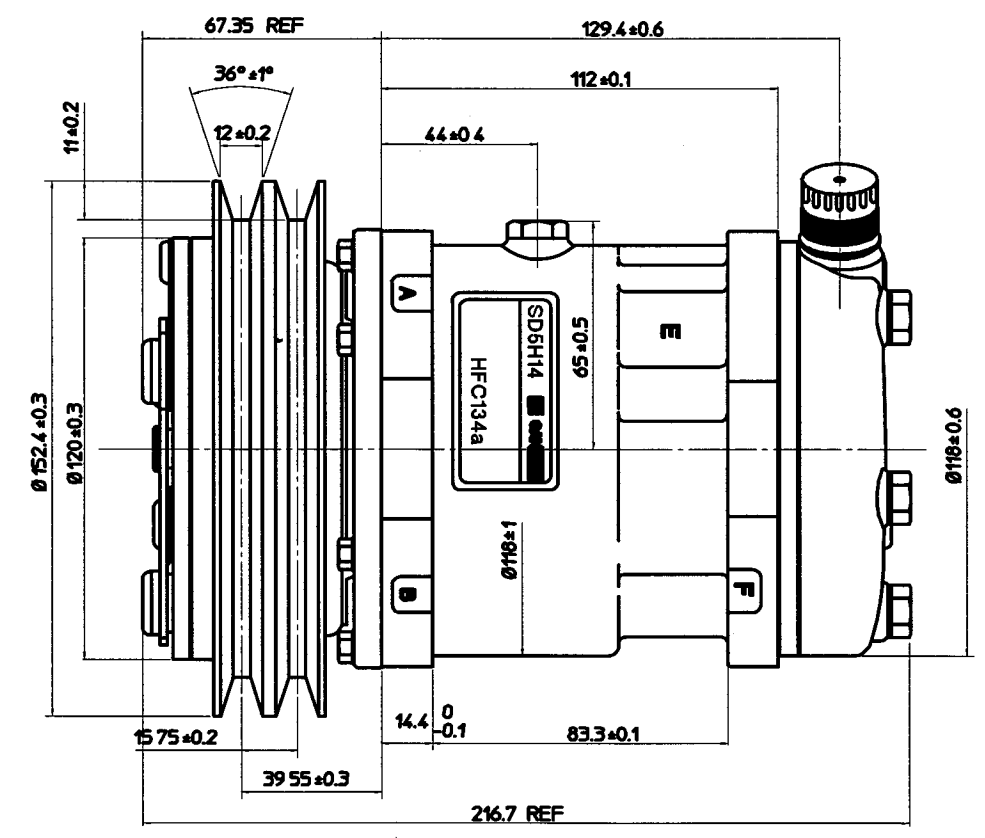
PARTIAL SECT A-A



PARTIAL SECT B-B (2:1)

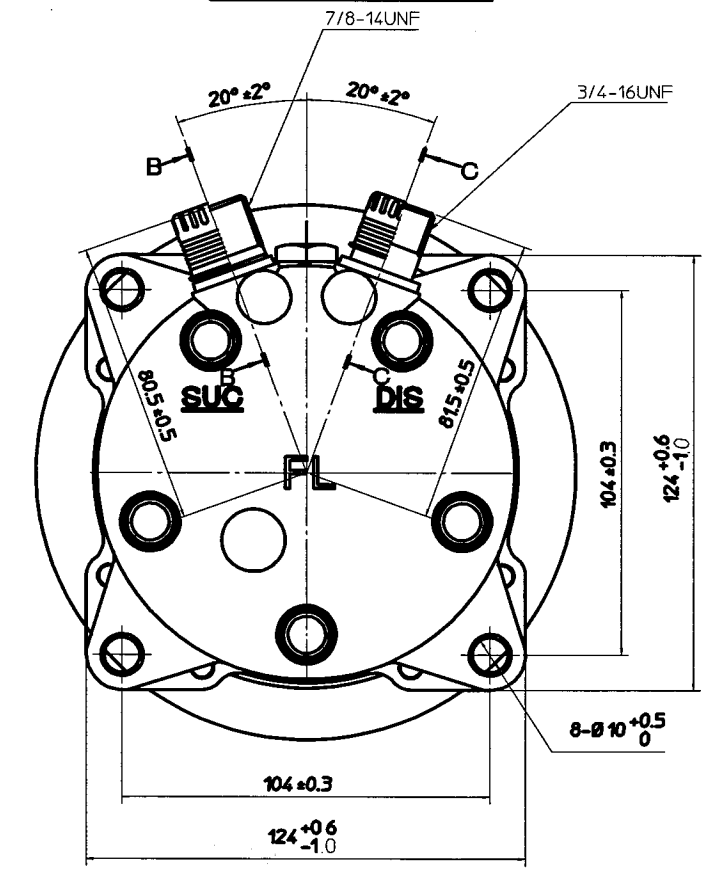


PARTIAL SECT C-C (2:1)



COMPRESSOR SPECIFICATIONS

BORE	Ø35 mm
STROKE	28.6 mm
DISPLACEMENT PER REVOLUTION	138 cc/rev
NUMBER OF CYLINDERS	5
MAXIMUM ALLOWABLE r.p.m.	7000 r.p.m.
MAXIMUM ALLOWABLE CONTINUOUS r.p.m	6000 r.p.m
REFRIGERANT	HFC134a
OIL (SP-20 OR EQUIV.)	210 cc
ROTATION (CLUTCH SIDE VIEW)	CLOCKWISE
WEIGHT	kg



CLUTCH SPECIFICATIONS

RATED VOLTAGE	DC 24 V
BREAKAWAY TORQUE	3.5 kg-m
MINIMUM ENGAGEMENT VOLTAGE	7.5 V max
POWER CONSUMPTION	42 W (CU)
MAXIMUM ALLOWABLE r.p.m.	7000 r.p.m.
MAXIMUM ALLOWABLE CONTINUOUS r.p.m.	6000 r.p.m.
BELT TYPE	A TYPE
PULLEY DIAMETER	Ø152.4mm
WEIGHT	kg

SIE MASTER DRAWING

CHECKED AND APPROVED BY

PRINT NAME *T GREENWOOD*

DATE *14/12/01*

UNCONTROLLED COPY

REVISION RECORD	BY	DATE	MATERIAL	PART NO.	NAME
				6679	COMPRESSOR
			THIRD ANGLE PROJECTION	SCALE	
				1:1	
			DRAWING CHECKED	DATE	
				19.06.01	
			DRAWN BY	DATE	
				19.06.01	
			APPROVED BY	DATE	
				19.06.01	
					SD5H14FL6679
					6679-6000S