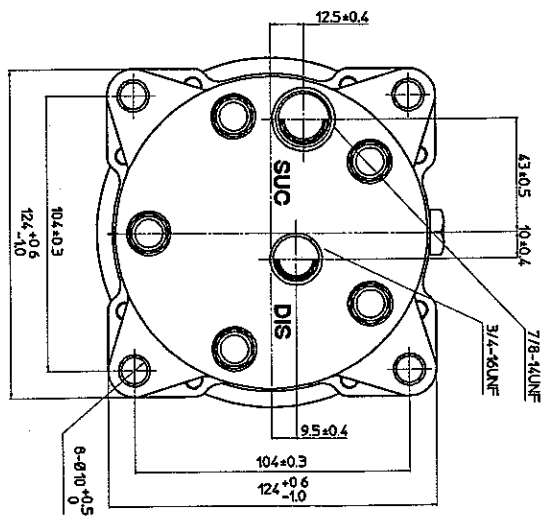
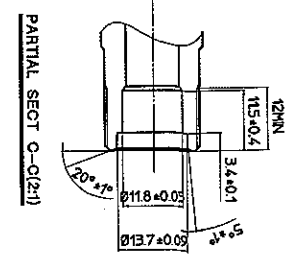
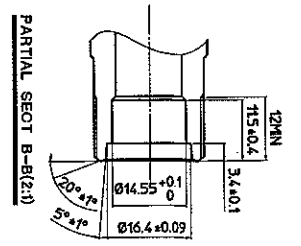
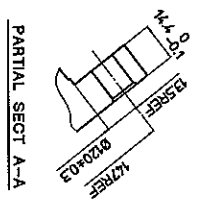
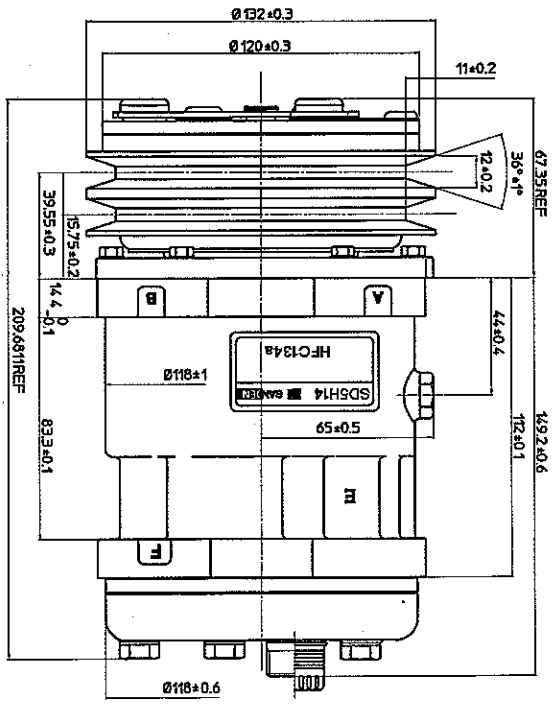
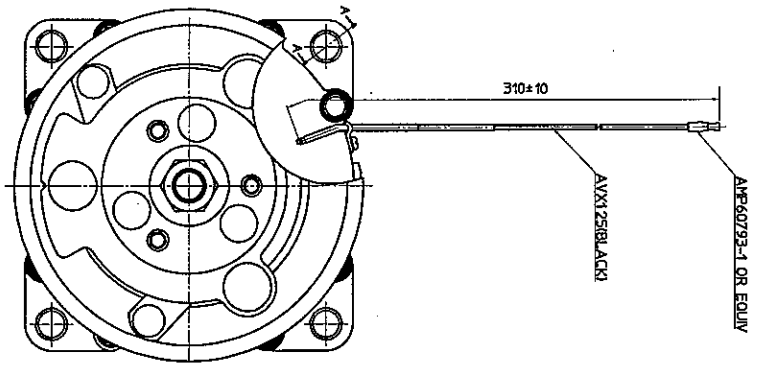


CONTROLLED
10 SEP 2007
SIS
COMP ENGRS



COMPRESSOR SPECIFICATIONS

BORE	Ø35	mm
STROKE	28.6	mm
DISPLACEMENT PER REVOLUTION	138	cc/rev
NUMBER OF CYLINDERS	5	
MAXIMUM ALLOWABLE F.P.M.	4000	f.p.m.
MAXIMUM ALLOWABLE CONTINUOUS F.P.M.	4000	f.p.m.
REFRIGERANT	HC134g	
OIL (SP-20 OR EQUIV.)	210	cc
ROTATION (CLUTCH SIDE VIEW)	210	CLOCKWISE
WEIGHT		kg

CLUTCH SPECIFICATIONS

RATED VOLTAGE	DC 12 V	
BREAKAWAY TORQUE	3.5 kg-m	
MINIMUM ENGAGEMENT VOLTAGE	7.5 V max	
POWER CONSUMPTION	50 W (A.L.)	
MAXIMUM ALLOWABLE F.P.M.	4000 f.p.m.	
MAXIMUM ALLOWABLE CONTINUOUS F.P.M.	4000 f.p.m.	
BELT TYPE	AZ	
PULLEY DIAMETER	Ø132 mm	
WEIGHT		kg

OFFICIAL
10.09.2007
CE 1866
SIS
SHORG ADMIN

REVISION RECORD	REV	DATE	BY	DESCRIPTION
1	1			
2	1			
3	1			
4	1			
5	1			
6	1			
7	1			
8	1			
9	1			
10	1			
11	1			
12	1			
13	1			
14	1			
15	1			
16	1			
17	1			
18	1			
19	1			
20	1			
21	1			
22	1			
23	1			
24	1			
25	1			
26	1			
27	1			
28	1			
29	1			
30	1			
31	1			
32	1			
33	1			
34	1			
35	1			
36	1			
37	1			
38	1			
39	1			
40	1			
41	1			
42	1			
43	1			
44	1			
45	1			
46	1			
47	1			
48	1			
49	1			
50	1			
51	1			
52	1			
53	1			
54	1			
55	1			
56	1			
57	1			
58	1			
59	1			
60	1			
61	1			
62	1			
63	1			
64	1			
65	1			
66	1			
67	1			
68	1			
69	1			
70	1			
71	1			
72	1			
73	1			
74	1			
75	1			
76	1			
77	1			
78	1			
79	1			
80	1			
81	1			
82	1			
83	1			
84	1			
85	1			
86	1			
87	1			
88	1			
89	1			
90	1			
91	1			
92	1			
93	1			
94	1			
95	1			
96	1			
97	1			
98	1			
99	1			
100	1			

REVISION RECORD	REV	DATE	BY	DESCRIPTION
1	1			
2	1			
3	1			
4	1			
5	1			
6	1			
7	1			
8	1			
9	1			
10	1			
11	1			
12	1			
13	1			
14	1			
15	1			
16	1			
17	1			
18	1			
19	1			
20	1			
21	1			
22	1			
23	1			
24	1			
25	1			
26	1			
27	1			
28	1			
29	1			
30	1			
31	1			
32	1			
33	1			
34	1			
35	1			
36	1			
37	1			
38	1			
39	1			
40	1			
41	1			
42	1			
43	1			
44	1			
45	1			
46	1			
47	1			
48	1			
49	1			
50	1			
51	1			
52	1			
53	1			
54	1			
55	1			
56	1			
57	1			
58	1			
59	1			
60	1			
61	1			
62	1			
63	1			
64	1			
65	1			
66	1			
67	1			
68	1			
69	1			
70	1			
71	1			
72	1			
73	1			
74	1			
75	1			
76	1			
77	1			
78	1			
79	1			
80	1			
81	1			
82	1			
83	1			
84	1			
85	1			
86	1			
87	1			
88	1			
89	1			
90	1			
91	1			
92	1			
93	1			
94	1			
95	1			
96	1			
97	1			
98	1			
99	1			
100	1			

REVISION RECORD	REV	DATE	BY	DESCRIPTION
1	1			
2	1			
3	1			
4	1			
5	1			
6	1			
7	1			
8	1			
9	1			
10	1			
11	1			
12	1			
13	1			
14	1			
15	1			
16	1			
17	1			
18	1			
19	1			
20	1			
21	1			
22	1			
23	1			
24	1			
25	1			
26	1			
27	1			
28	1			
29	1			
30	1			
31	1			
32	1			
33	1			
34	1			
35	1			
36	1			
37	1			
38	1			
39	1			
40	1			
41	1			
42	1			
43	1			
44	1			
45	1			
46	1			
47	1			
48	1			
49	1			
50	1			
51	1			
52	1			
53	1			
54	1			
55	1			
56	1			
57	1			
58	1			
59	1			
60	1			
61	1			
62	1			
63	1			
64	1			
65	1			
66	1			
67	1			
68	1			
69	1			
70	1			
71	1			
72	1			
73	1			
74	1			
75	1			
76	1			
77	1			
78	1			
79	1			
80	1			
81	1			
82	1			
83	1			
84	1			
85	1			
86	1			
87	1			
88	1			
89	1			
90	1			
91	1			
92	1			
93	1			
94	1			
95	1			
96	1			
97	1			
98	1			
99	1			
100	1			

REVISION RECORD	REV	DATE	BY	DESCRIPTION
1	1			
2	1			
3	1			
4	1			
5	1			
6	1			
7	1			
8	1			
9	1			
10	1			
11	1			
12	1			
13	1			
14	1			
15	1			
16	1			
17	1			
18	1			
19	1			
20	1			
21	1			
22	1			
23	1			
24	1			
25	1			
26	1			
27	1			
28	1			
29	1			
30	1			
31	1			
32	1			
33	1			
34	1			
35	1			
36	1			
37	1			
38	1			
39	1			
40	1			
41	1			
42	1			
43	1			
44	1			
45	1			
46	1			
47	1			
48	1			