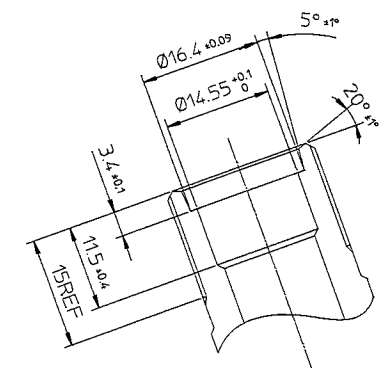
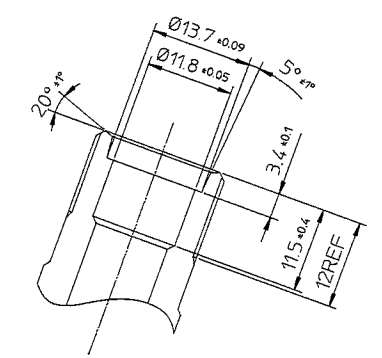


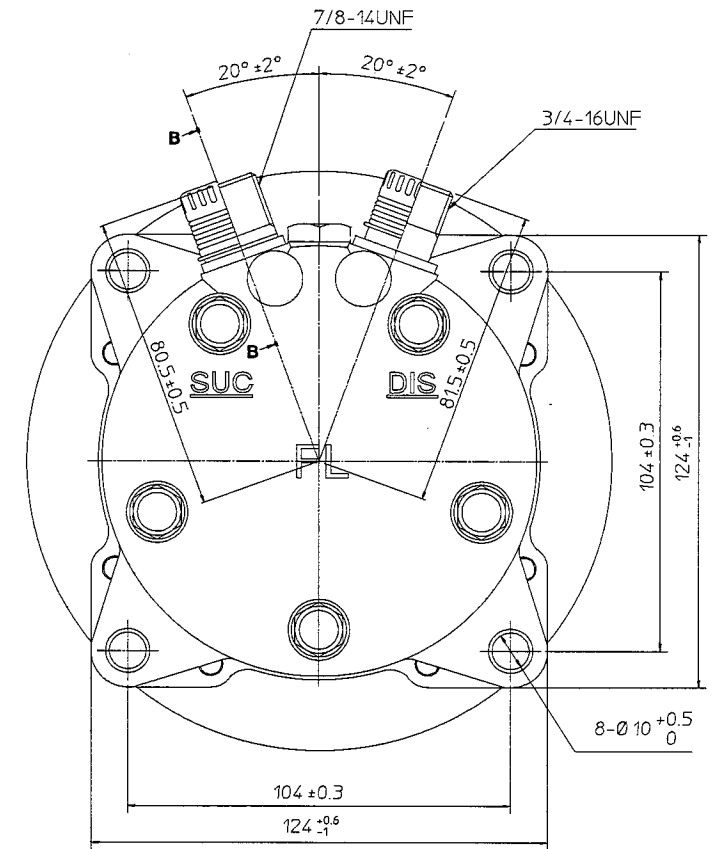
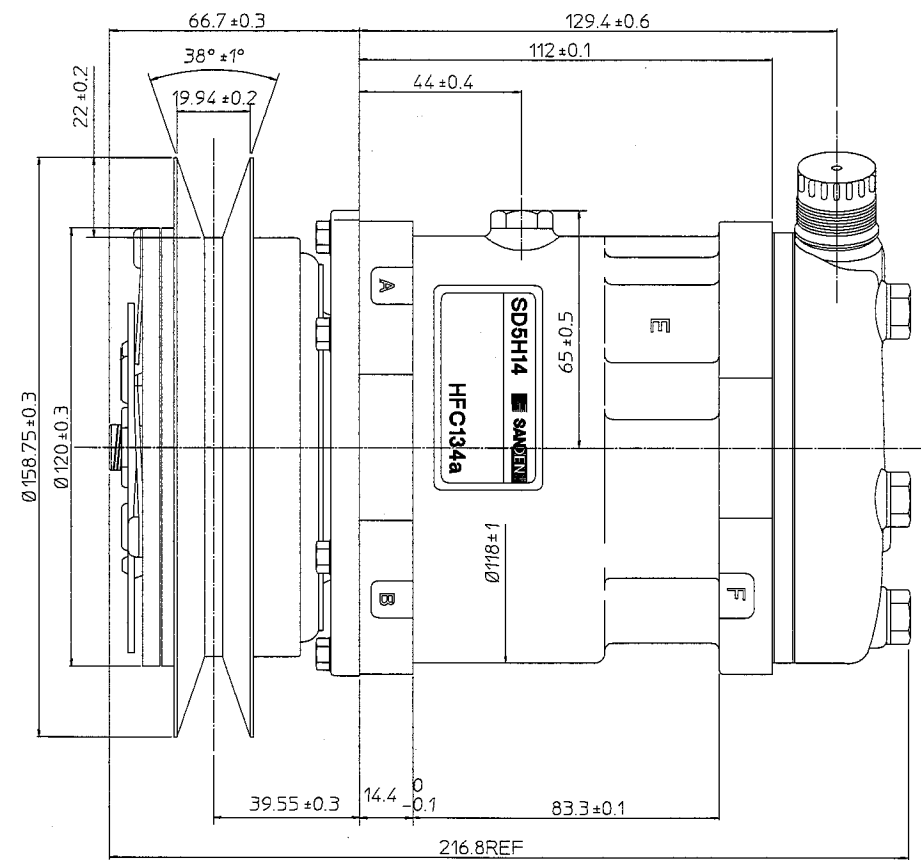
PARTIAL SECT A-A



PARTIAL SECT B-B (2:1)



PARTIAL SECT C-C (2:1)



COMPRESSOR SPECIFICATIONS

BORE	Ø35 mm
STROKE	28.6 mm
DISPLACEMENT PER REVOLUTION	138 cc/rev
NUMBER OF CYLINDERS	5
MAXIMUM ALLOWABLE r.p.m.	4000 r.p.m.
MAXIMUM ALLOWABLE CONTINUOUS r.p.m.	4000 r.p.m.
REFRIGERANT	HFC134a
OIL(SP-20 OR EQUIV.)	240 cc
ROTATION(CLUTCH SIDE VIEW)	CLOCKWISE
WEIGHT	kg

CLUTCH SPECIFICATIONS

RATED VOLTAGE	DC 12 V
BREAKAWAY TORQUE	3.5 kg-m
MINIMUM ENGAGEMENT VOLTAGE	7.5 V max
POWER CONSUMPTION	50 W (AL)
MAXIMUM ALLOWABLE r.p.m.	4000 r.p.m.
MAXIMUM ALLOWABLE CONTINUOUS r.p.m.	4000 r.p.m.
BELT TYPE	C1
PULLEY DIAMETER	Ø158.75mm
WEIGHT	kg

SIE MASTER DRAWING

CHECKED AND APPROVED BY
N. SHARPIN

PRINT NAME
N. SHARPIN

DATE
25/04/01

UNCONTROLLED COPY

△				MATERIAL	PART NO.	NAME
△					6673	COMPRESSOR
△				THIRD ANGLE PROJECTION	SCALE	1:1
△				DESIGN BY	DATE	MODEL
△				<i>Raymond</i>	14.12.00	SD5H14FL6673
△				CHECKED BY	DATE	DRAWING NO.
△						6673-6000S
No.	REVISION RECORD	BY	DATE	APPROVED BY	DATE	