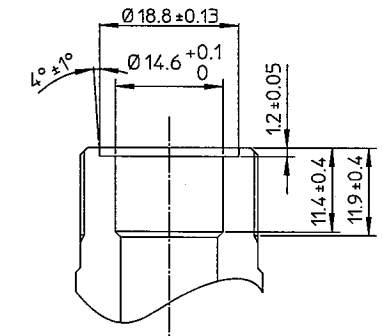
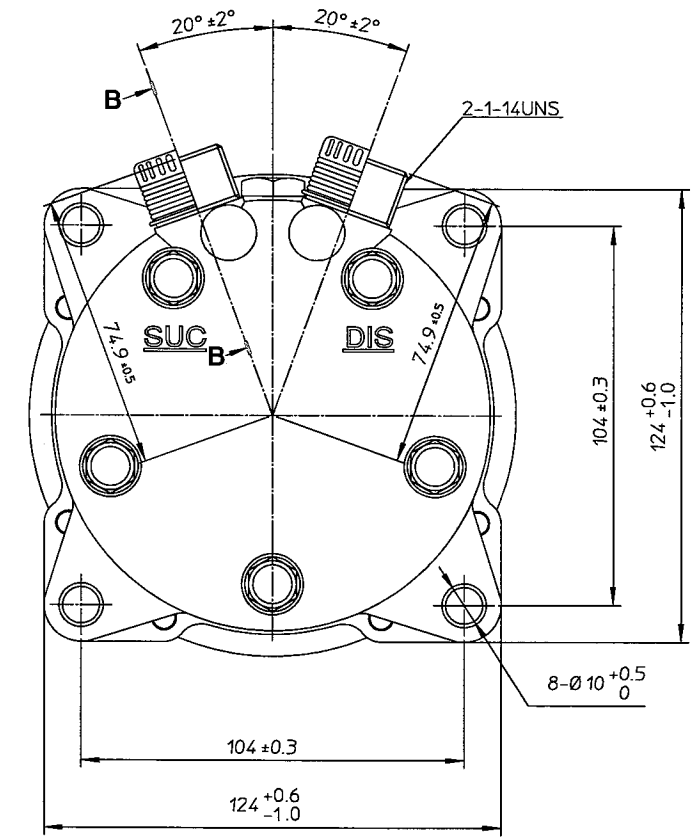
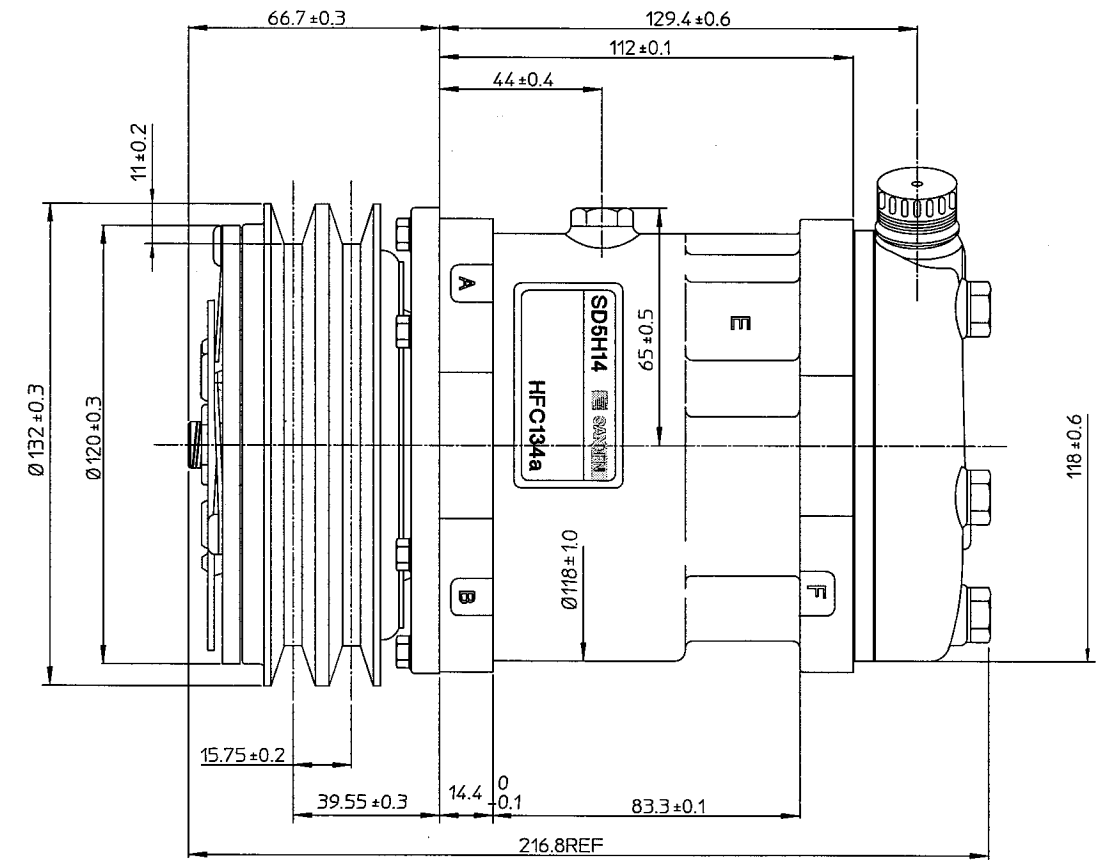


PARTIAL SECT A-A



PARTIAL SECT B-B (2:1)



COMPRESSOR SPECIFICATIONS

| | |
|-------------------------------------|-------------|
| BORE | Ø35 mm |
| STROKE | 28.6 mm |
| DISPLACEMENT PER REVOLUTION | 138 cc/rev |
| NUMBER OF CYLINDERS | 5 |
| MAXIMUM ALLOWABLE r.p.m. | 4000 r.p.m. |
| MAXIMUM ALLOWABLE CONTINUOUS r.p.m. | 4000 r.p.m. |
| REFRIGERANT | HFC134a |
| OIL (SP-20 OR EQUIV.) | 210 cc |
| ROTATION (CLUTCH SIDE VIEW) | CLOCKWISE |
| WEIGHT | kg |

CLUTCH SPECIFICATIONS

| | |
|-------------------------------------|-------------|
| RATED VOLTAGE | DC 24 V |
| BREAKAWAY TORQUE | 3.5 kg-m |
| MINIMUM ENGAGEMENT VOLTAGE | DC 16 V max |
| POWER CONSUMPTION | 42 W (CU) |
| MAXIMUM ALLOWABLE r.p.m. | 4000 r.p.m. |
| MAXIMUM ALLOWABLE CONTINUOUS r.p.m. | 4000 r.p.m. |
| BELT TYPE | A2 |
| PULLEY DIAMETER | Ø132mm |
| WEIGHT | kg |

SIE MASTER DRAWING
 DESIGNED AND APPROVED BY
 NAME **M. TABB**
 DATE **11 JAN 2001**

UNCONTROLLED COPY

| | | | | | | |
|-----|-----------------|----|------|------------------------|----------|--------------|
| △ | | | | MATERIAL | PART NO. | NAME |
| △ | | | | | 6667 | COMPRESSOR |
| △ | | | | THIRD ANGLE PROJECTION | SCALE | |
| △ | | | | | 1:1 | |
| △ | | | | DESIGNED BY | DATE | MODEL |
| △ | | | | MICHAEL CHEE | 10_01_01 | SD5H14C6667S |
| △ | | | | CHECKED BY | DATE | DRAWING NO. |
| △ | | | | MINORU IDA | 10_01_01 | 6667-6000S |
| No. | REVISION RECORD | BY | DATE | APPROVED BY | | |
| | | | | MINORU IDA | 10_01_01 | |