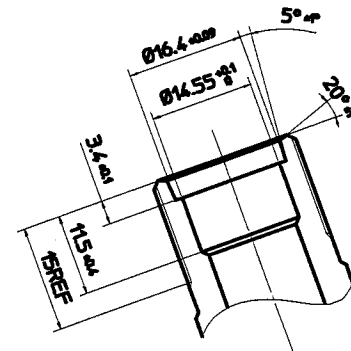
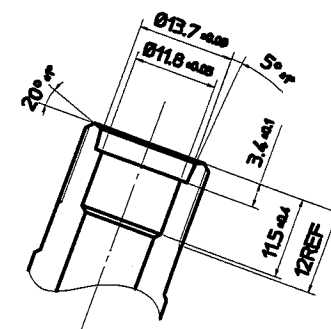


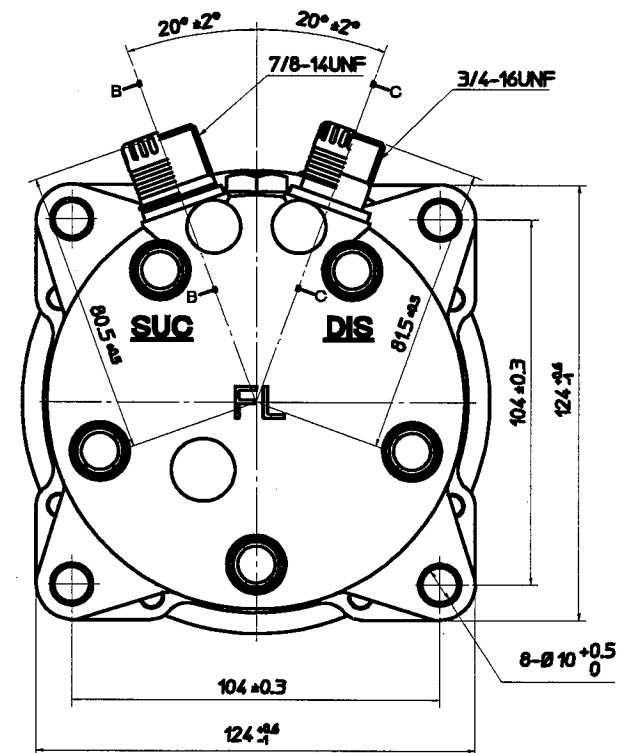
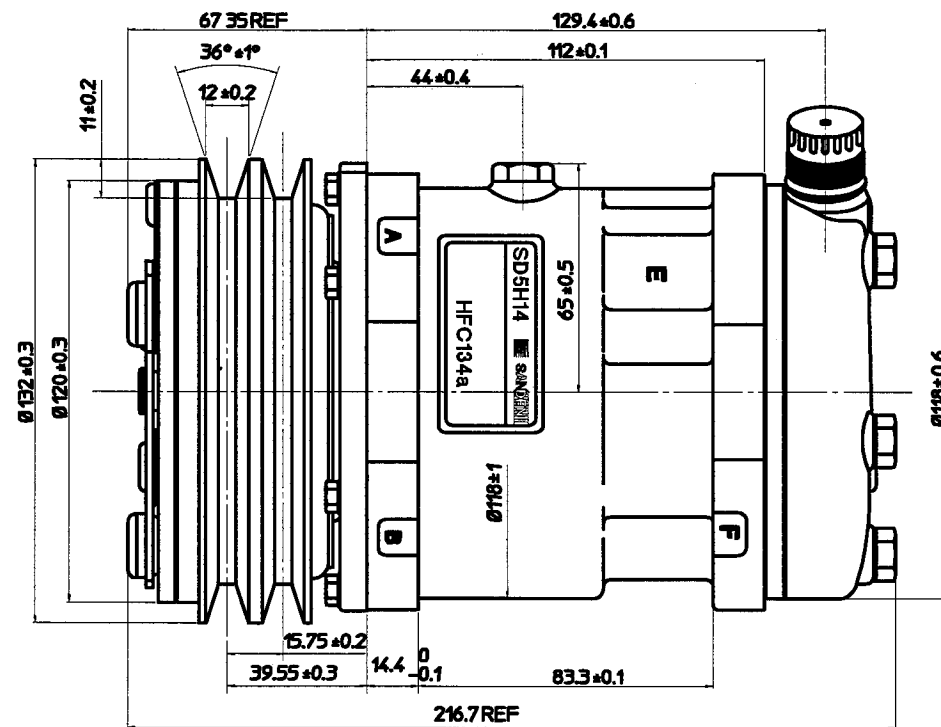
PARTIAL SECT A-A



PARTIAL SECT B-B (2:1)



PARTIAL SECT C-C (2:1)



**COMPRESSOR SPECIFICATIONS**

BORE	Ø35 mm
STROKE	28.6 mm
DISPLACEMENT PER REVOLUTION	138 cc/rev
NUMBER OF CYLINDERS	5
MAXIMUM ALLOWABLE r.p.m.	4000 r.p.m.
MAXIMUM ALLOWABLE CONTINUOUS r.p.m.	4000 r.p.m.
REFRIGERANT	HFC134a
OIL (SP-20 OR EQUIV.)	210 cc
ROTATION (CLUTCH SIDE VIEW)	CLOCKWISE
WEIGHT	kg

**CLUTCH SPECIFICATIONS**

RATED VOLTAGE	DC 24 V
BREAKAWAY TORQUE	3.5 kg-m
MINIMUM ENGAGEMENT VOLTAGE	16 V max
POWER CONSUMPTION	42 W (CU)
MAXIMUM ALLOWABLE r.p.m.	4000 r.p.m.
MAXIMUM ALLOWABLE CONTINUOUS r.p.m.	4000 r.p.m.
BELT TYPE	A2
PULLEY DIAMETER	Ø132 mm
WEIGHT	kg

SIE MASTER DRAWING	
CHECKED AND APPROVED BY	<i>[Signature]</i>
PRINT NAME	N. SHARPU
DATE	25/04/01

MATERIAL	PART NO.	NAME
	6665	COMPRESSOR
THIRD ANGLE PROJECTION	SCALE	
	1:1	
DESIGNED BY	DATE	
<i>Raymond</i>	14.11.00	SD5H14FL6665
DRAWN BY	DATE	
		6665-6000S
REVISION REQUIRED	BY	DATE

UNCONTROLLED COPY