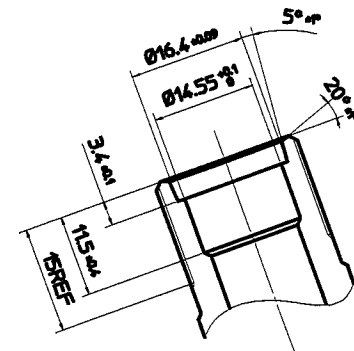
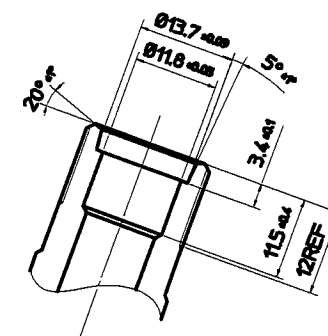


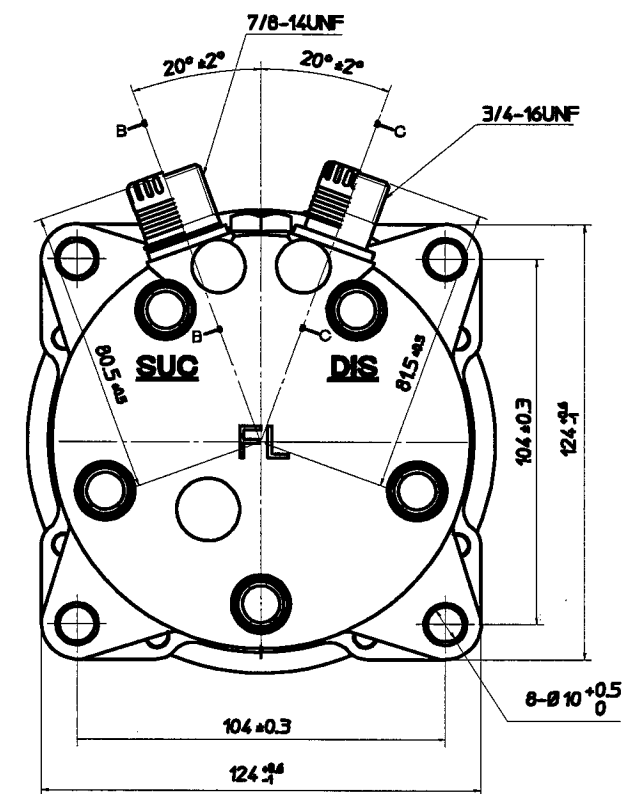
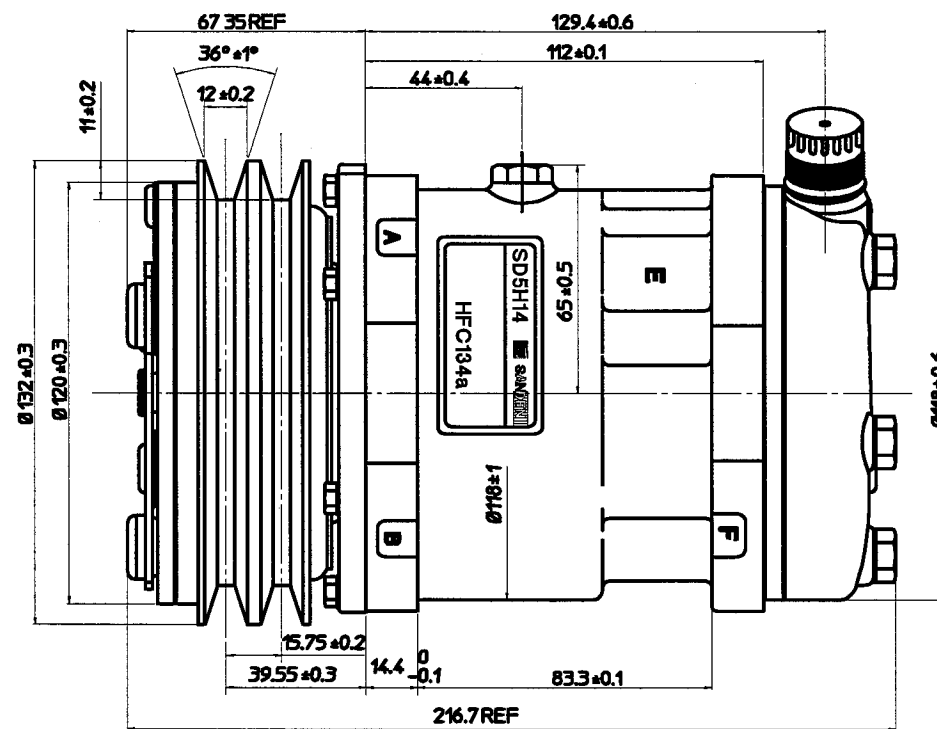
PARTIAL SECT A-A



PARTIAL SECT B-B (2:1)



PARTIAL SECT C-C (2:1)



COMPRESSOR SPECIFICATIONS

BORE	Ø35 mm
STROKE	28.6 mm
DISPLACEMENT PER REVOLUTION	138 cc/rev
NUMBER OF CYLINDERS	5
MAXIMUM ALLOWABLE r.p.m.	4000 r.p.m.
MAXIMUM ALLOWABLE CONTINUOUS r.p.m.	4000 r.p.m.
REFRIGERANT	HFC134a
OIL (SP-20 OR EQUIV.)	210 cc
ROTATION (CLUTCH SIDE VIEW)	CLOCKWISE
WEIGHT	kg

CLUTCH SPECIFICATIONS

RATED VOLTAGE	DC 12 V
BREAKAWAY TORQUE	3.5 kg-m
MINIMUM ENGAGEMENT VOLTAGE	7.5 V max
POWER CONSUMPTION	50 W (AL)
MAXIMUM ALLOWABLE r.p.m.	4000 r.p.m.
MAXIMUM ALLOWABLE CONTINUOUS r.p.m.	4000 r.p.m.
BELT TYPE	A2
PULLEY DIAMETER	Ø132 mm
WEIGHT	kg

SIE MASTER DRAWING	
CHECKED AND APPROVED BY <i>N. SHARPIN</i>	
PRINT NAME <i>N. SHARPIN</i>	
DATE <i>25/04/01</i>	

UNCONTROLLED COPY

MATERIAL	PART NO.	NAME
	6664	COMPRESSOR
THIRD ANGLE PROJECTION	SCALE	
	1:1	
DESIGNED BY	DATE	
<i>Raymond</i>	14.11.00	SD5H14FL6664
DRAWN BY	DATE	
		6664-6000S
APPROVED BY	DATE	
REVISION RECORD	BY	DATE