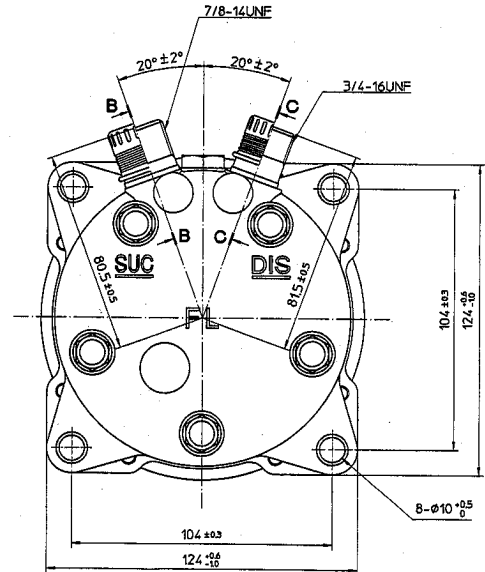
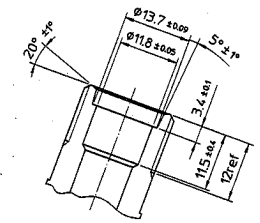
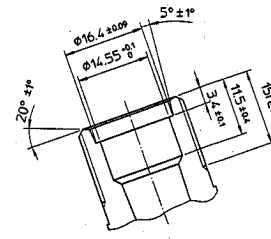
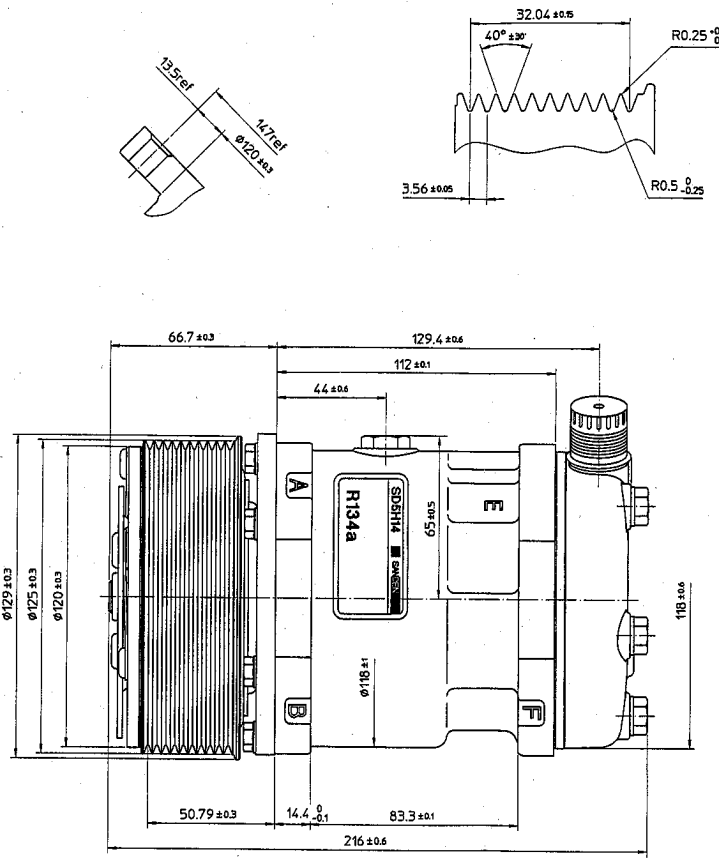
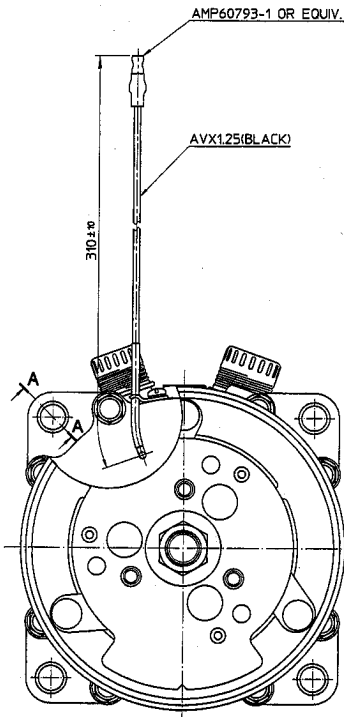


PARTIAL SECT. A-A

DETAIL OF ROTOR GROOVE (2:1)

PARTIAL SECT. B-B (2:1)

PARTIAL SECT. C-C (2:1)



COMPRESSOR SPECIFICATIONS

BORE	ø35 mm
STROKE	28.6 mm
NUMBER OF CYLINDERS	5
DISPLACEMENT PER REVOLUTION	138 cc/rev.
MAXIMUM ALLOWABLE CONTINUOUS SPEED	6000 r.p.m.
MAXIMUM DOWNSHIFT SPEED	7000 r.p.m.
REFRIGERANT	R134a
OIL	SP-20 OR EQUIVALENT
OIL CHARGE	175 cc
ROTATION (CLUTCH SIDE VIEW)	CLOCKWISE
WEIGHT	kg

CLUTCH SPECIFICATIONS

RATED VOLTAGE	DC 12 V
MINIMUM BREAKAWAY TORQUE	3.5 kg·m
MINIMUM ENGAGEMENT VOLTAGE	DC 7.5 V
MAXIMUM POWER CONSUMPTION	50 W
MAXIMUM ALLOWABLE CONTINUOUS SPEED	6000 r.p.m.
MAXIMUM DOWNSHIFT SPEED	7000 r.p.m.
BELT TYPE	PV TYPE
PULLEY DIAMETER	ø125 mm
WEIGHT	kg

* BELT TENSION MAXIMUM 1620 N



MATERIAL	PART NO.	NAME	COMPRESSOR
DESIGNED BY	THIRD ANGLE PROJECTION	SCALE	1:1
CHECKED BY	DATE	DATE	15 Dec 1998
APPROVED BY	DATE	DATE	16 Oct 1998
NO.	REVISION RECORD	BY	DATE
		MODEL	SD5H14FL6656
		DRAWING NO.	6656 - 6000