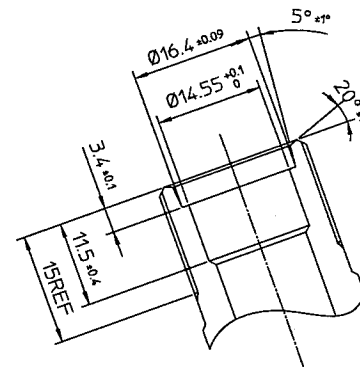
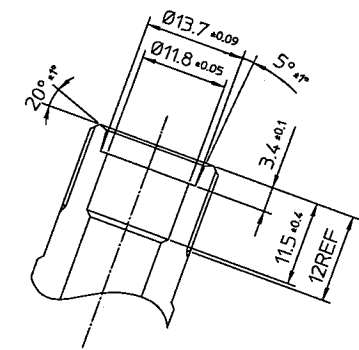


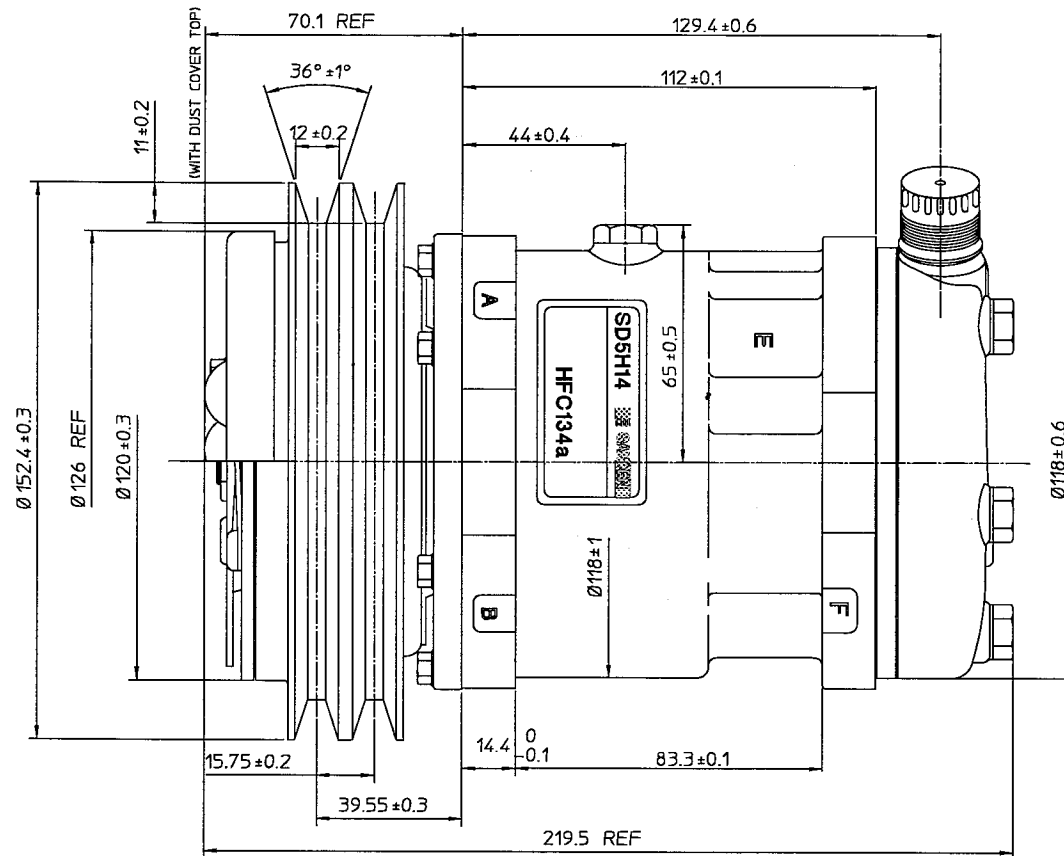
PARTIAL SECT A-A



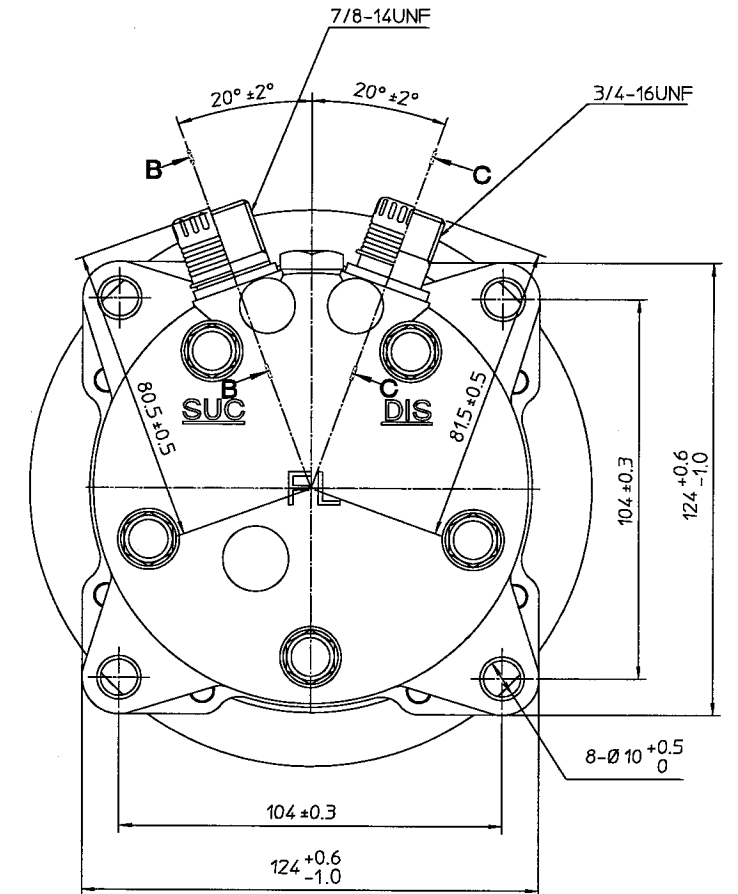
PARTIAL SECT B-B (2:1)



PARTIAL SECT C-C (2:1)



COMPRESSOR SPECIFICATIONS



CLUTCH SPECIFICATIONS

BORE	Ø35 mm
STROKE	28.6 mm
DISPLACEMENT PER REVOLUTION	138 cc/rev
NUMBER OF CYLINDERS	5
MAXIMUM ALLOWABLE r.p.m.	4000 r.p.m.
MAXIMUM ALLOWABLE CONTINUOUS r.p.m.	4000 r.p.m.
REFRIGERANT	HFC134a
OIL (SP-20 OR EQUIV.)	310 cc
ROTATION (CLUTCH SIDE VIEW)	CLOCKWISE
WEIGHT	kg

RATED VOLTAGE	DC 12 V
BREAKAWAY TORQUE	3.5 kg-m
MINIMUM ENGAGEMENT VOLTAGE	7.5 V max
POWER CONSUMPTION	50 W (AL)
MAXIMUM ALLOWABLE r.p.m.	4000 r.p.m.
MAXIMUM ALLOWABLE CONTINUOUS r.p.m.	4000 r.p.m.
BELT TYPE	A TYPE
PULLEY DIAMETER	Ø152.4mm
WEIGHT	kg

SIE MASTER DRAWING	
CHECKED AND APPROVED BY	
PRINT NAME	
DATE	

UNCONTROLLED COPY

△				MATERIAL	PART NO.	NAME
△					6651	COMPRESSOR
△				THIRD ANGLE PROJECTION	SCALE	1:1
△	CHANGE OF OIL AMOUNT (210cc - 310cc)	MC	29 DEC 00	DESIGN BY	DATE	MODEL
△	CHANGE OF OIL AMOUNT (175cc - 210cc)	YU	15 OCT 97	MICHAEL CHEE	29 12 00	SD5H14FL6651S
△				CHECKED BY	DATE	DRAWING NO.
△				MINORU IDA	29 12 00	6651-6000S
No.	REVISION RECORD		BY	DATE	APPROVED BY	DATE
					MINORU IDA	29 12 00