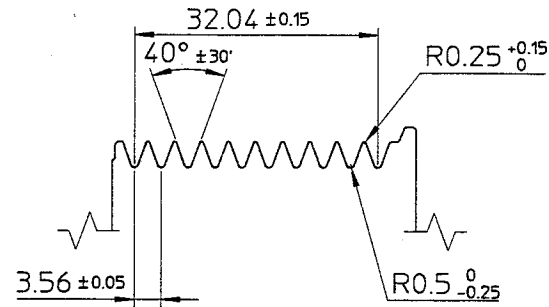
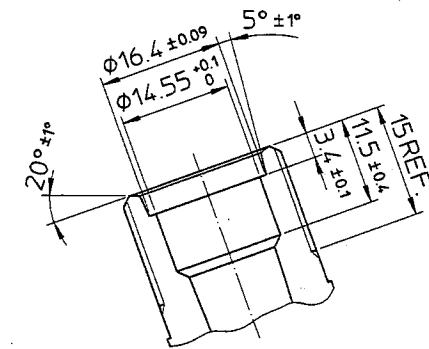


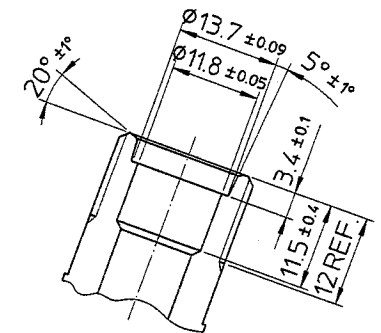
PARTIAL SECT. A-A



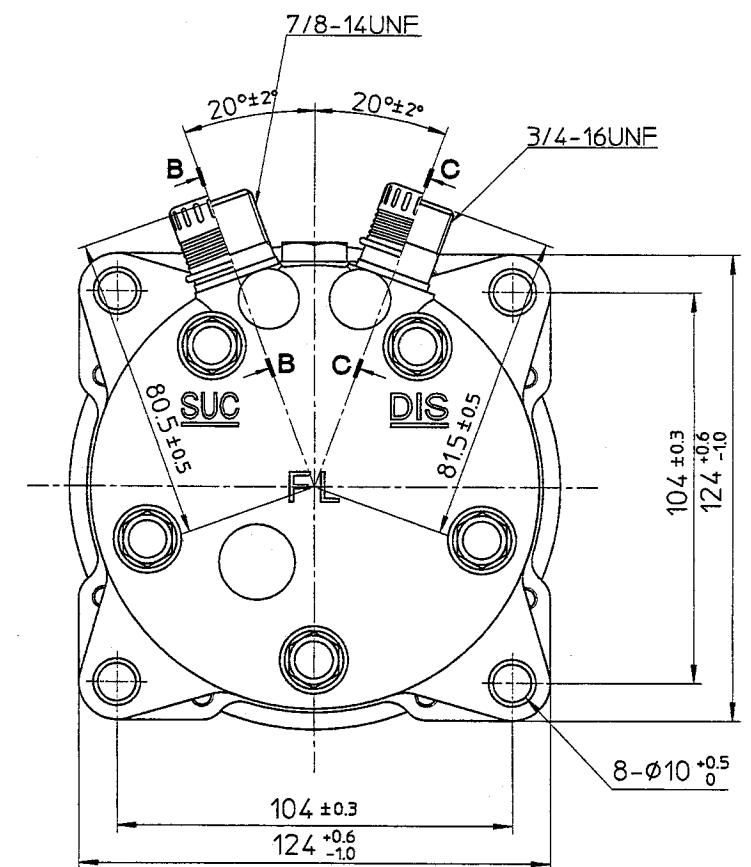
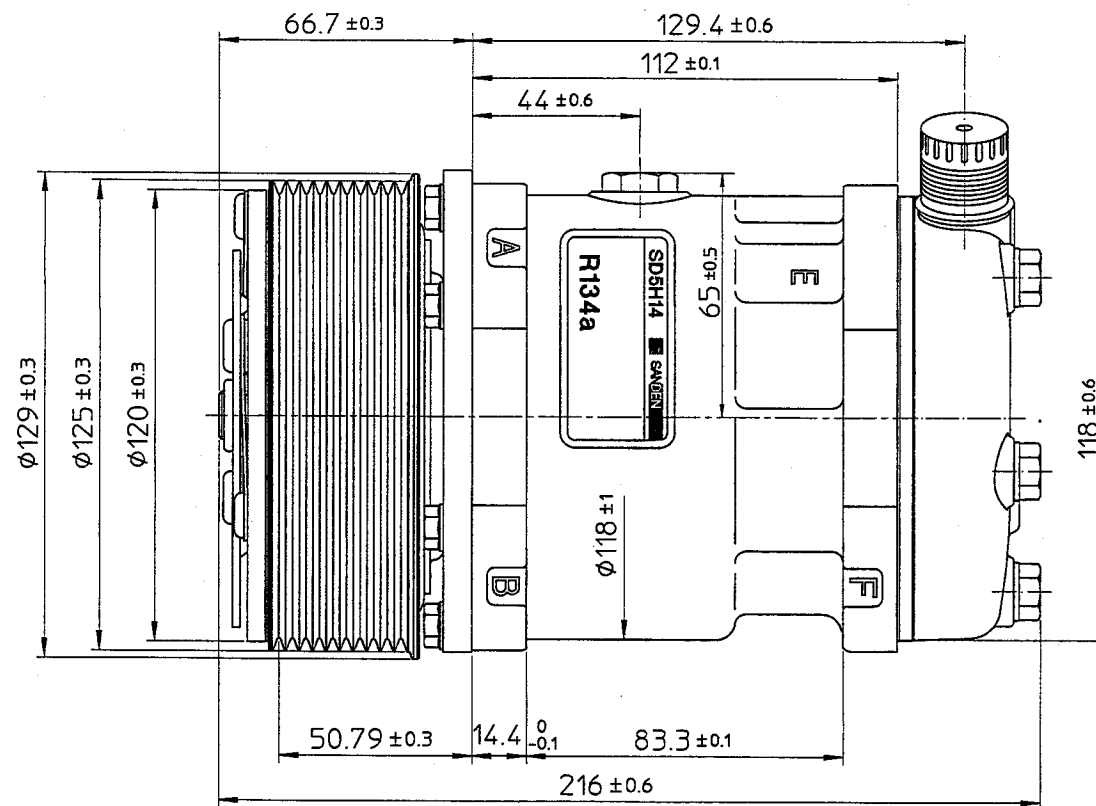
DETAIL OF ROTOR GROOVE(2:1)



PARTIAL SECT. B-B(2:1)



PARTIAL SECT. C-C(2:1)



COMPRESSOR SPECIFICATIONS

BORE	φ35 mm
STROKE	28.6 mm
DISPLACEMENT PER REVOLUTION	138 cc/rev.
ROTATION	CLOCKWISE
NUMBER OF CYLINDERS	5
MAXIMUM ALLOWABLE r.p.m.	7000 r.p.m.
MAXIMUM ALLOWABLE CONTINUOUS r.p.m.	6000 r.p.m.
REFRIGERANT	R-134a
OIL : SP-20 OR EQUIV.	175 cc
WEIGHT	kg

CLUTCH SPECIFICATIONS

RATED VOLTAGE	DC 24 V
BREAKAWAY TORQUE	3.5 kg-m
MINIMUM ENGAGEMENT VOLTAGE	16 V MAX.
POWER CONSUMPTION	42 W (AL)
MAXIMUM ALLOWABLE r.p.m.	7000 r.p.m.
MAXIMUM ALLOWABLE CONTINUOUS r.p.m.	6000 r.p.m.
BELT TYPE	PV TYPE
PULLEY DIAMETER	φ125 mm
WEIGHT	kg

\* BELT TENSION MAX. 1620 N

SIE MASTER DRAWING	
CHECKED AND APPROVED BY	
PRINT NAME	J. MITCHELL
DATE	5-10-99

UNCONTROLLED COPY

MATERIAL	PART NO.	6649	NAME	COMPRESSOR
THIRD ANGLE PROJECTION	SCALE	1 : 1	DESIGNED BY	C. Ogawa
DATE	12 June 1997	MODEL	SD5H14FL6649	
CHECKED BY	DATE	12 Jun 1997	DRAWING NO.	6649 - 6000
APPROVED BY	DATE	12 JUN 1997		
NO.	REVISION RECORD	BY	DATE	