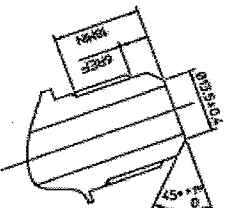
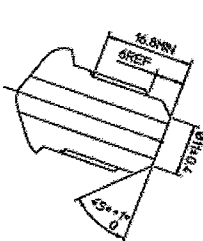
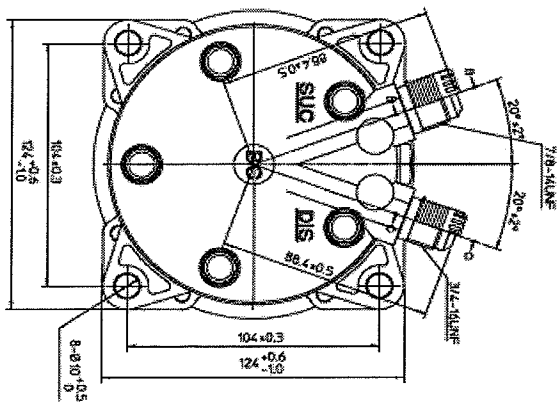


PARTIAL SECT A-A



PARTIAL SECT B-B (2-1)



PARTIAL SECT C-C (2-1)

NOTICE

These drawings or parts contain proprietary and confidential information and is made available to the recipient on expressed and specific conditions that neither it nor the information contained herein shall be disclosed or made available to any third party(s) without the expressed and specific written consent of Sanden International (Singapore) Pte Ltd. These drawings or parts shall not be copied or duplicated in any manner or to any extent without Sanden's prior expressed and specific written consent.

COMPRESSOR SPECIFICATIONS

BORE	83.5 mm
STROKE	28.6 mm
DISPLACEMENT PER REVOLUTION	1.38 cc/rev
NUMBER OF CYLINDERS	5
MAXIMUM ALLOWABLE CONTINUOUS F.P.M.	7000 f.p.m.
MAXIMUM ALLOWABLE CONTINUOUS F.P.M. REFRIGERANT	6000 f.p.m.
REFRIGERANT	R134A
OIL (SP-20 OR EQUIV.)	1.35 cc
ROTATION (CLUTCH SIDE VIEW)	CLOCKWISE
WEIGHT	KG

CLUTCH SPECIFICATIONS

RATED VOLTAGE	DC 12 V
BREAKAWAY TORQUE	3.5 Kg-m
MINIMUM ENGAGEMENT VOLTAGE	7.5 V max
POWER CONSUMPTION	50 W (A.L.)
MAXIMUM ALLOWABLE CONTINUOUS F.P.M.	7000 f.p.m.
MAXIMUM ALLOWABLE CONTINUOUS F.P.M. REFRIGERANT	6000 f.p.m.
BELT TYPE	AZ
PULLEY DIAMETER	81.92 mm
WEIGHT	KG

REV	DATE	BY	CHKD	DESCRIPTION
1				
2				
3				
4				
5				
6				
7				
8				
9				
10				
11				
12				
13				
14				
15				
16				
17				
18				
19				
20				
21				
22				
23				
24				
25				
26				
27				
28				
29				
30				
31				
32				
33				
34				
35				
36				
37				
38				
39				
40				
41				
42				
43				
44				
45				
46				
47				
48				
49				
50				
51				
52				
53				
54				
55				
56				
57				
58				
59				
60				
61				
62				
63				
64				
65				
66				
67				
68				
69				
70				
71				
72				
73				
74				
75				
76				
77				
78				
79				
80				
81				
82				
83				
84				
85				
86				
87				
88				
89				
90				
91				
92				
93				
94				
95				
96				
97				
98				
99				
100				