

PKCN	REV	APPV DATE	REVISIONS	DWN	DSGN	CHK	APPV
			INITIAL ISSUE REF: 3454-6000, REV. -				
2007161		7/9/07	REPLACED WITH: 3454-6000 REV 0	JS	AV	AA	RM
2008026		7/11/06	REPLACED WITH: GENERIC LABEL	JS	AV	MK	RM

**COMPRESSOR SPECIFICATIONS**

Displacement/Rev	1211 cc/rev.
Oil	S P - 1 0
Oil Charge	180 cc
Refrigerant	R 1 3 4 a
Rotation (Clutch Side View)	Clock Wise
Total Mass (without Oil)	Approx. 65 kg (143 lb)

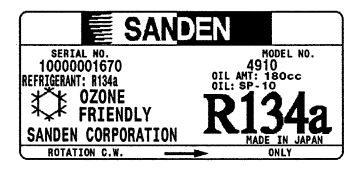
**CLUTCH SPECIFICATIONS**

Rated Voltage	D.C. 1 2 V
Breakaway Torque	412 N·m Min. (30.4 ft·lbf)
Min. Engagement Voltage	7.5 V (at 0.5mm Gap)
Power Consumption	46 W Max.
Bell Type	P V 6 G Type
Pulley Diameter	100 mm (Using $\phi 2.5$ mm gage ball)

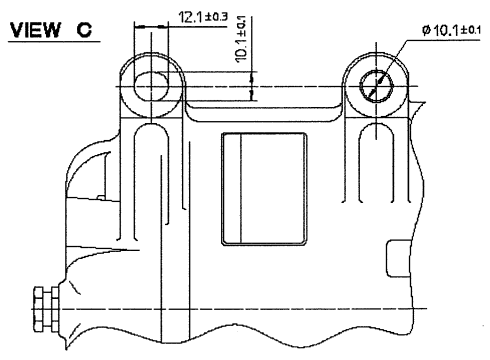
**DIODE**

TOSHIBA No.	S5688N OR EQUIVALENT
-------------	----------------------

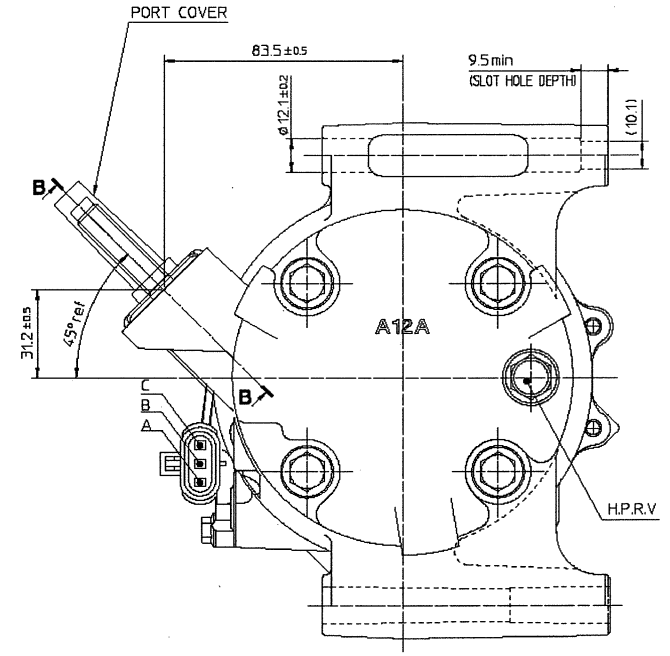
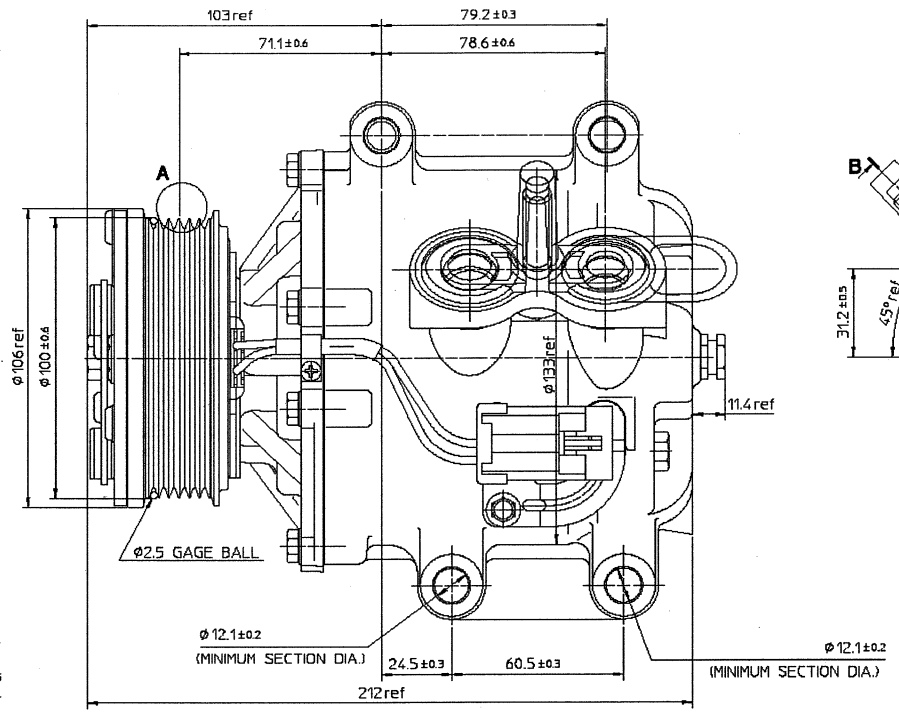
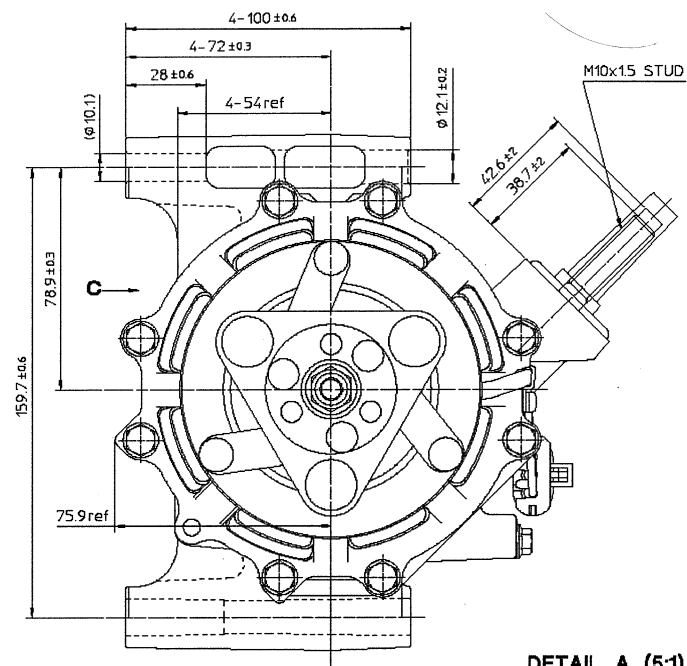
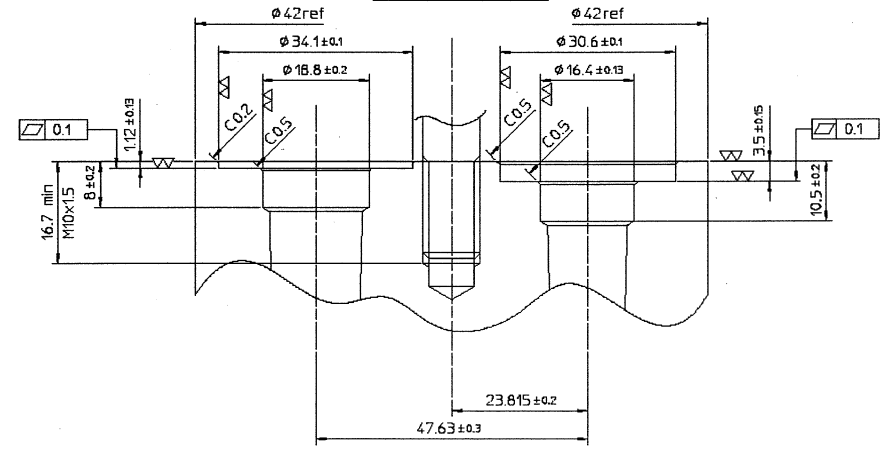
**NAME PLATE (2:1)  $\Delta$**



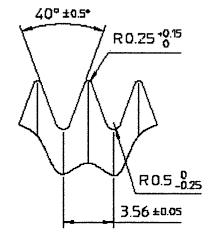
**VIEW C**



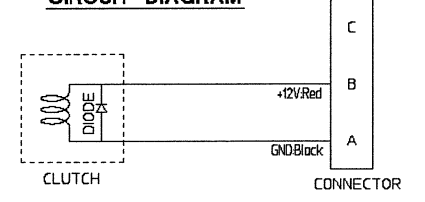
**SECT. B-B (2:1)**



**DETAIL A (5:1)**



**CIRCUIT DIAGRAM**



REV. LEVEL	RELEASED FOR:	DATE	SCALE	REF	PLotted	METRIC
A	Smey Chhim		NONE	NONE		
A	Rene Martinez	07/31/06				
A	Smey Chhim					
A	Rene Martinez	07/31/06				
A	Smey Chhim					
A	Rene Martinez	07/31/06				
A	Smey Chhim					
A	Rene Martinez	07/31/06				

<b>SANDEN</b>	DRWG. SCALE REF NONE	PLotted REF NONE	METRIC
This drawing and the information contained herein are CONFIDENTIAL and PROPRIETARY to Sanden International (U.S.A.), Inc., are received in CONFIDENCE and shall not be used, copied, or disclosed to others without the written permission of Sanden International (U.S.A.), Inc.			
INTERPRETATION OF THIS DRAWING PER ASME Y14.5M-1994			
THIRD ANGLE PROJECTION			
MODEL: TRSA12			
NAME: COMPRESSOR			
DWG. NO. 4910-6000			
REV. C			

**DO NOT SCALE**