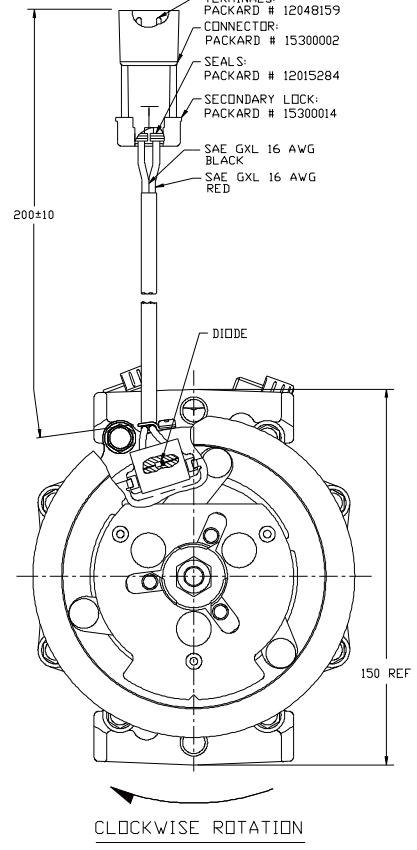
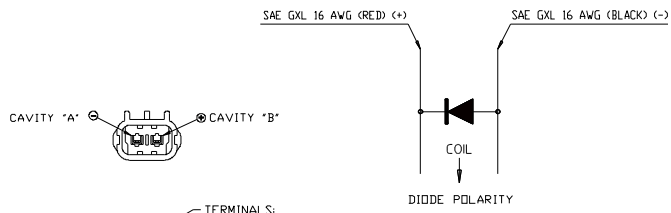
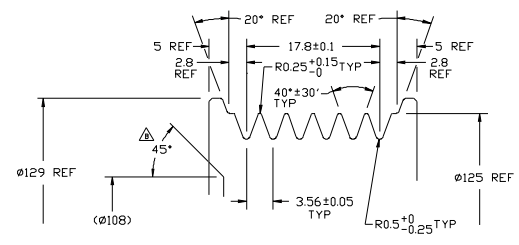


FIG	REV	APPV DATE	REVISIONS	DWN	ISSN	CHK	APPV
△			INITIAL RELEASE				

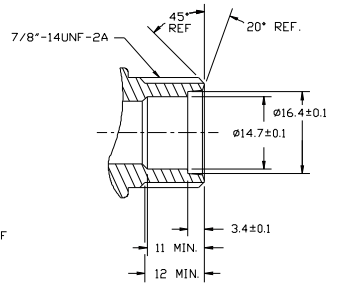


COMPRESSOR SPECIFICATIONS

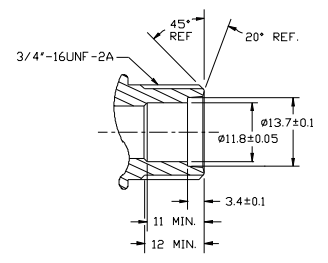
DISPLACEMENT PER REVOLUTION	1549 cc / rev. (95cuin. / rev.)
MAXIMUM ALLOWABLE R.P.M.	8000 R.P.M.
MAXIMUM ALLOWABLE CONTINUOUS R.P.M.	6000 R.P.M.
REFRIGERANT	R134a
OIL (SP-15)	240 cc (8.08 floz.)
WEIGHT	TBD



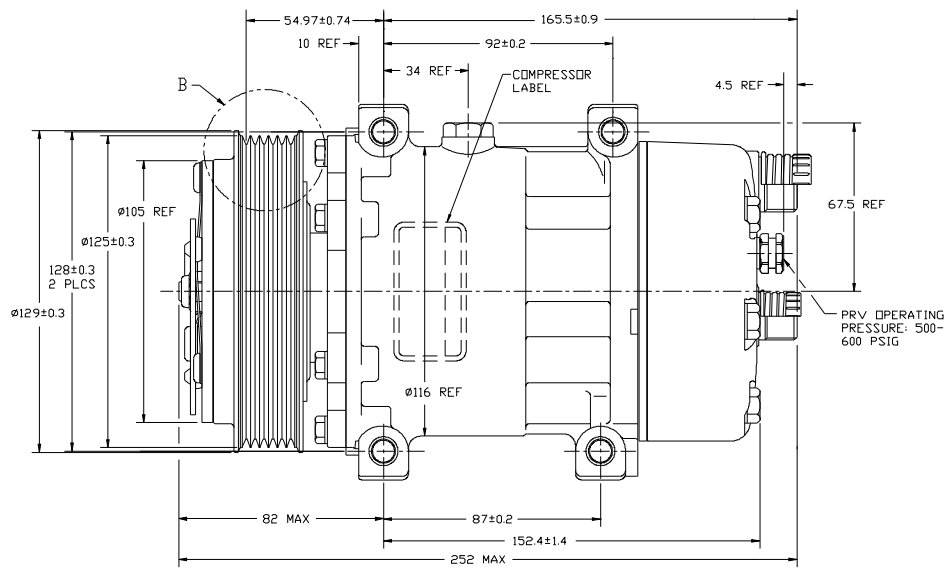
DETAIL B
SCALE: 3:1



SECTION B-B
SCALE: 2:1
(SECTION SHOWN WITH SEAL CAP REMOVED)

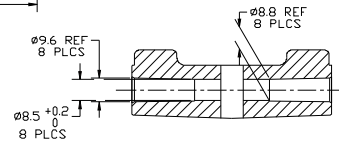
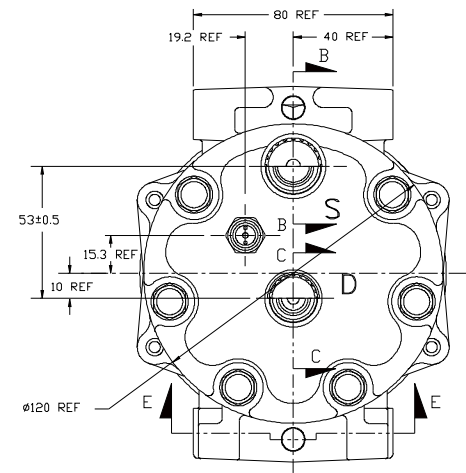


SECTION C-C
SCALE: 2:1
(SECTION SHOWN WITH SEAL CAP REMOVED)



CLUTCH SPECIFICATIONS

RATED VOLTAGE	DC 12V
BREAKAWAY TORQUE	3.5 kgf-m min. @ 12V
MINIMUM ENGAGEMENT VOLTAGE	7.5V @ AIR GAP 0.6mm REF
POWER CONSUMPTION	43 watts max.
BELT TYPE	PV6 TYPE
MAXIMUM ALLOWABLE BELT TENSION	120 kgf
PULLEY DIAMETER	Ø125mm (4.92in.)



SECTION E-E

DO NOT SCALE

REV LEVEL	DESCRIPTION	DATE	BY	CHK	APPV	SCALE	UNIT	PROJ. NO.	REV
A	RELEASE FOR PRODUCTION	12/05/88	Sanjiv	Sanjiv	Sanjiv	1:1	PLT	4897-6000	1
A	REVISED FOR DESIGN VALIDATION	12/05/88	Sanjiv	Sanjiv	Sanjiv	1:1	PLT	4897-6000	2
A	REVISED FOR PRODUCTION	12/05/88	Sanjiv	Sanjiv	Sanjiv	1:1	PLT	4897-6000	3
A	REVISED FOR PRODUCTION	12/09/88	Sanjiv	Sanjiv	Sanjiv	1:1	PLT	4897-6000	4
A	REVISED FOR PRODUCTION	12/09/88	Sanjiv	Sanjiv	Sanjiv	1:1	PLT	4897-6000	5
A	REVISED FOR PRODUCTION	12/09/88	Sanjiv	Sanjiv	Sanjiv	1:1	PLT	4897-6000	6
A	REVISED FOR PRODUCTION	12/09/88	Sanjiv	Sanjiv	Sanjiv	1:1	PLT	4897-6000	7
A	REVISED FOR PRODUCTION	12/09/88	Sanjiv	Sanjiv	Sanjiv	1:1	PLT	4897-6000	8
A	REVISED FOR PRODUCTION	12/09/88	Sanjiv	Sanjiv	Sanjiv	1:1	PLT	4897-6000	9
A	REVISED FOR PRODUCTION	12/09/88	Sanjiv	Sanjiv	Sanjiv	1:1	PLT	4897-6000	10
A	REVISED FOR PRODUCTION	12/09/88	Sanjiv	Sanjiv	Sanjiv	1:1	PLT	4897-6000	11
A	REVISED FOR PRODUCTION	12/09/88	Sanjiv	Sanjiv	Sanjiv	1:1	PLT	4897-6000	12
A	REVISED FOR PRODUCTION	12/09/88	Sanjiv	Sanjiv	Sanjiv	1:1	PLT	4897-6000	13
A	REVISED FOR PRODUCTION	12/09/88	Sanjiv	Sanjiv	Sanjiv	1:1	PLT	4897-6000	14
A	REVISED FOR PRODUCTION	12/09/88	Sanjiv	Sanjiv	Sanjiv	1:1	PLT	4897-6000	15
A	REVISED FOR PRODUCTION	12/09/88	Sanjiv	Sanjiv	Sanjiv	1:1	PLT	4897-6000	16

SANDEN
SANDEN INTERNATIONAL, U.S.A., INC.
SCALE REF 1:1 PLT REF 1:1 METRIC
This drawing and the information contained herein are CONFIDENTIAL and PROPRIETARY to Sanden International (U.S.A.), Inc. and are released in CONFIDENTIAL and their use, reproduction, or disclosure to others without the written permission of Sanden International (U.S.A.), Inc. is prohibited.
INTERPRETATION OF THIS DRAWING PER ASME Y14.5M-1994
THIRD ANGLE PROJECTION
MATERIAL:
NAME: COMPRESSOR
REV. NO.: 4897-6000
REV. A