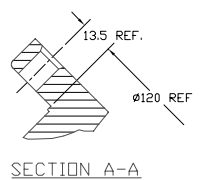
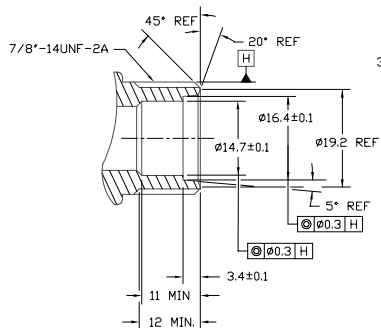


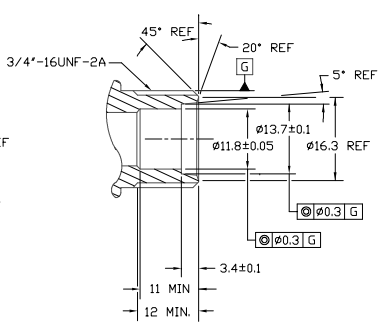
DETAIL C
SCALE: 3:1



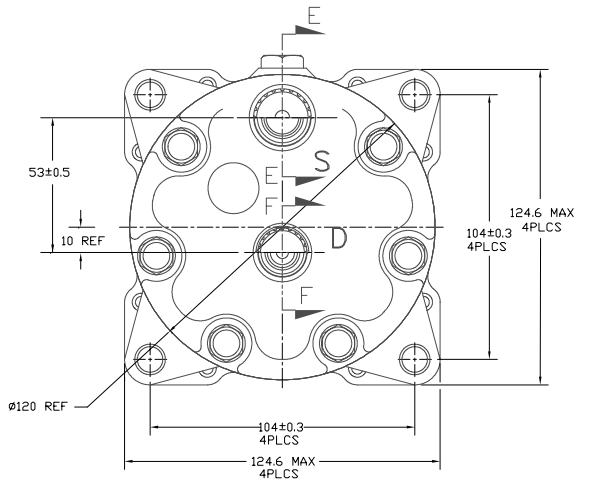
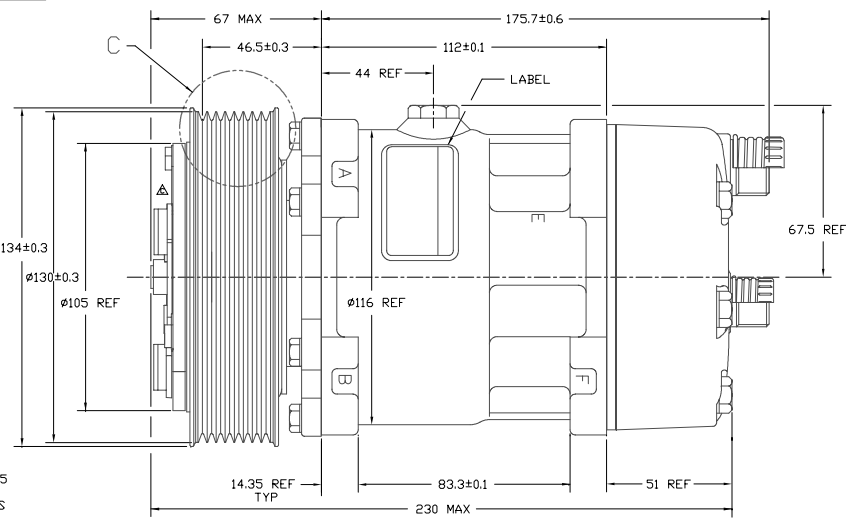
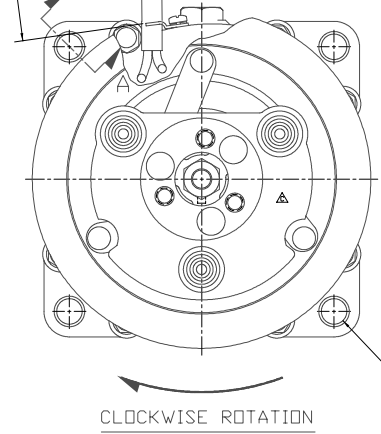
SECTION A-A



SECTION E-E
SCALE: 2:1
(SECTION SHOWN WITH SEAL CAP REMOVED)



SECTION F-F
SCALE: 2:1
(SECTION SHOWN WITH SEAL CAP REMOVED)



PCSN	REV	APPV DATE	REVISIONS	DRN	DSGN	CHK	APPV
			INITIAL RELEASE				
2001340	1	11/14/01	OIL (SP-15) WAS OIL (SP-20)	RSR	LK	DRL	MY
2002193	2	8/23/02	ARMATURE 6574-6030 WAS 6730-6030 COIL 6730-6140 WAS 6745-6040 200210 WAS 200210 ADDED JUMPER ASSY 4894-0400 AND NOTE 2	JS	DS	DRL	NB
2003198	3	5/27/03	SAE OIL 16 AWG (BLACK) WAS AVX 125 (BLACK) SAE OIL 16 AWG (BLACK V/WHITE TRACER) WAS AVX 125 (BLACK V/WHITE TRACER)	JS	HF	DRL	BP NB

COMPRESSOR SPECIFICATIONS

DISPLACEMENT PER REVOLUTION	154.9 cc / rev. (9.5cu.in. / rev.)
MAXIMUM ALLOWABLE R.P.M.	8000 R.P.M.
MAXIMUM ALLOWABLE CONTINUOUS R.P.M.	6000 R.P.M.
REFRIGERANT	R134a
OIL (SP-15)	270 cc (9.1 fl.oz.)
WEIGHT	7.2 kg (15.8 lb.)

CLUTCH SPECIFICATIONS

RATED VOLTAGE	DC 12V
BREAKAWAY TORQUE	3.5 kgf-m min. @ 12V
MINIMUM ENGAGEMENT VOLTAGE	7.5V @ AIR GAP 0.6mm REF
POWER CONSUMPTION	49 watts max.
BELT TYPE	PV8 TYPE
MAXIMUM ALLOWABLE BELT TENSION	120 kgf
PULLEY DIAMETER	Ø130mm (5.1 in.)
CLUTCH TYPE	HEAVY DUTY

NOTE:
1. [Ø] AND [H] ARE THE OUTSIDE DIAMETERS OF 3/4"-16UNF-2A AND 7/8"-14UNF-2A, RESPECTIVELY.
2. PACKAGE JUMPER ASSY IN 4"x6" 2 mil (REF) LDPE ZIPPER-LOCK BAG.

DO NOT SCALE

REV. LEVEL	RELEASED FOR PRODUCTION	DRN: C. Cozart	DATE: 03/29/01	SCALE: 1:1	PLT'D	DATE: 03/29/01	SCALE: 1:1	METRIC
REV. LEVEL	DESIGN VALIDATION	DRN: D. Seals	DATE: 03/29/01					
REV. LEVEL	DESIGN VALIDATION	DRN: C. Cozart	DATE: 03/29/01					
REV. LEVEL	PRODUCTION VAL 2	DRN: C. Cozart	DATE: 03/29/01					
REV. LEVEL	PRODUCTION VAL 2	DRN: D. Seals	DATE: 03/29/01					
REV. LEVEL	PRODUCTION VAL 2	DRN: C. Cozart	DATE: 03/29/01					
REV. LEVEL	PRODUCTION VAL 2	DRN: D. Seals	DATE: 03/29/01					
REV. LEVEL	PRODUCTION VAL 2	DRN: C. Cozart	DATE: 03/29/01					
REV. LEVEL	PRODUCTION VAL 2	DRN: D. Seals	DATE: 03/29/01					
REV. LEVEL	PRODUCTION VAL 2	DRN: C. Cozart	DATE: 03/29/01					
REV. LEVEL	PRODUCTION VAL 2	DRN: D. Seals	DATE: 03/29/01					
REV. LEVEL	PRODUCTION VAL 2	DRN: C. Cozart	DATE: 03/29/01					
REV. LEVEL	PRODUCTION VAL 2	DRN: D. Seals	DATE: 03/29/01					
REV. LEVEL	PRODUCTION VAL 2	DRN: C. Cozart	DATE: 03/29/01					
REV. LEVEL	PRODUCTION VAL 2	DRN: D. Seals	DATE: 03/29/01					
REV. LEVEL	PRODUCTION VAL 2	DRN: C. Cozart	DATE: 03/29/01					
REV. LEVEL	PRODUCTION VAL 2	DRN: D. Seals	DATE: 03/29/01					
REV. LEVEL	PRODUCTION VAL 2	DRN: C. Cozart	DATE: 03/29/01					
REV. LEVEL	PRODUCTION VAL 2	DRN: D. Seals	DATE: 03/29/01					
REV. LEVEL	PRODUCTION VAL 2	DRN: C. Cozart	DATE: 03/29/01					
REV. LEVEL	PRODUCTION VAL 2	DRN: D. Seals	DATE: 03/29/01					
REV. LEVEL	PRODUCTION VAL 2	DRN: C. Cozart	DATE: 03/29/01					
REV. LEVEL	PRODUCTION VAL 2	DRN: D. Seals	DATE: 03/29/01					
REV. LEVEL	PRODUCTION VAL 2	DRN: C. Cozart	DATE: 03/29/01					
REV. LEVEL	PRODUCTION VAL 2	DRN: D. Seals	DATE: 03/29/01					
REV. LEVEL	PRODUCTION VAL 2	DRN: C. Cozart	DATE: 03/29/01					
REV. LEVEL	PRODUCTION VAL 2	DRN: D. Seals	DATE: 03/29/01					
REV. LEVEL	PRODUCTION VAL 2	DRN: C. Cozart	DATE: 03/29/01					
REV. LEVEL	PRODUCTION VAL 2	DRN: D. Seals	DATE: 03/29/01					
REV. LEVEL	PRODUCTION VAL 2	DRN: C. Cozart	DATE: 03/29/01					
REV. LEVEL	PRODUCTION VAL 2	DRN: D. Seals	DATE: 03/29/01					
REV. LEVEL	PRODUCTION VAL 2	DRN: C. Cozart	DATE: 03/29/01					
REV. LEVEL	PRODUCTION VAL 2	DRN: D. Seals	DATE: 03/29/01					
REV. LEVEL	PRODUCTION VAL 2	DRN: C. Cozart	DATE: 03/29/01					
REV. LEVEL	PRODUCTION VAL 2	DRN: D. Seals	DATE: 03/29/01					
REV. LEVEL	PRODUCTION VAL 2	DRN: C. Cozart	DATE: 03/29/01					
REV. LEVEL	PRODUCTION VAL 2	DRN: D. Seals	DATE: 03/29/01					
REV. LEVEL	PRODUCTION VAL 2	DRN: C. Cozart	DATE: 03/29/01					
REV. LEVEL	PRODUCTION VAL 2	DRN: D. Seals	DATE: 03/29/01					
REV. LEVEL	PRODUCTION VAL 2	DRN: C. Cozart	DATE: 03/29/01					
REV. LEVEL	PRODUCTION VAL 2	DRN: D. Seals	DATE: 03/29/01					
REV. LEVEL	PRODUCTION VAL 2	DRN: C. Cozart	DATE: 03/29/01					
REV. LEVEL	PRODUCTION VAL 2	DRN: D. Seals	DATE: 03/29/01					
REV. LEVEL	PRODUCTION VAL 2	DRN: C. Cozart	DATE: 03/29/01					
REV. LEVEL	PRODUCTION VAL 2	DRN: D. Seals	DATE: 03/29/01					
REV. LEVEL	PRODUCTION VAL 2	DRN: C. Cozart	DATE: 03/29/01					
REV. LEVEL	PRODUCTION VAL 2	DRN: D. Seals	DATE: 03/29/01					
REV. LEVEL	PRODUCTION VAL 2	DRN: C. Cozart	DATE: 03/29/01					
REV. LEVEL	PRODUCTION VAL 2	DRN: D. Seals	DATE: 03/29/01					
REV. LEVEL	PRODUCTION VAL 2	DRN: C. Cozart	DATE: 03/29/01					
REV. LEVEL	PRODUCTION VAL 2	DRN: D. Seals	DATE: 03/29/01					
REV. LEVEL	PRODUCTION VAL 2	DRN: C. Cozart	DATE: 03/29/01					
REV. LEVEL	PRODUCTION VAL 2	DRN: D. Seals	DATE: 03/29/01					
REV. LEVEL	PRODUCTION VAL 2	DRN: C. Cozart	DATE: 03/29/01					
REV. LEVEL	PRODUCTION VAL 2	DRN: D. Seals	DATE: 03/29/01					
REV. LEVEL	PRODUCTION VAL 2	DRN: C. Cozart	DATE: 03/29/01					
REV. LEVEL	PRODUCTION VAL 2	DRN: D. Seals	DATE: 03/29/01					
REV. LEVEL	PRODUCTION VAL 2	DRN: C. Cozart	DATE: 03/29/01					
REV. LEVEL	PRODUCTION VAL 2	DRN: D. Seals	DATE: 03/29/01					
REV. LEVEL	PRODUCTION VAL 2	DRN: C. Cozart	DATE: 03/29/01					
REV. LEVEL	PRODUCTION VAL 2	DRN: D. Seals	DATE: 03/29/01					
REV. LEVEL	PRODUCTION VAL 2	DRN: C. Cozart	DATE: 03/29/01					
REV. LEVEL	PRODUCTION VAL 2	DRN: D. Seals	DATE: 03/29/01					
REV. LEVEL	PRODUCTION VAL 2	DRN: C. Cozart	DATE: 03/29/01					
REV. LEVEL	PRODUCTION VAL 2	DRN: D. Seals	DATE: 03/29/01					
REV. LEVEL	PRODUCTION VAL 2	DRN: C. Cozart	DATE: 03/29/01					
REV. LEVEL	PRODUCTION VAL 2	DRN: D. Seals	DATE: 03/29/01					
REV. LEVEL	PRODUCTION VAL 2	DRN: C. Cozart	DATE: 03/29/01					
REV. LEVEL	PRODUCTION VAL 2	DRN: D. Seals	DATE: 03/29/01					
REV. LEVEL	PRODUCTION VAL 2	DRN: C. Cozart	DATE: 03/29/01					
REV. LEVEL	PRODUCTION VAL 2	DRN: D. Seals	DATE: 03/29/01					
REV. LEVEL	PRODUCTION VAL 2	DRN: C. Cozart	DATE: 03/29/01					
REV. LEVEL	PRODUCTION VAL 2	DRN: D. Seals	DATE: 03/29/01					
REV. LEVEL	PRODUCTION VAL 2	DRN: C. Cozart	DATE: 03/29/01					
REV. LEVEL	PRODUCTION VAL 2	DRN: D. Seals	DATE: 03/29/01					
REV. LEVEL	PRODUCTION VAL 2	DRN: C. Cozart	DATE: 03/29/01					
REV. LEVEL	PRODUCTION VAL 2	DRN: D. Seals	DATE: 03/29/01					
REV. LEVEL	PRODUCTION VAL 2	DRN: C. Cozart	DATE: 03/29/01					
REV. LEVEL	PRODUCTION VAL 2	DRN: D. Seals	DATE: 03/29/01					
REV. LEVEL	PRODUCTION VAL 2	DRN: C. Cozart	DATE: 03/29/01					
REV. LEVEL	PRODUCTION VAL 2	DRN: D. Seals	DATE: 03/29/01					
REV. LEVEL	PRODUCTION VAL 2	DRN: C. Cozart	DATE: 03/29/01					
REV. LEVEL	PRODUCTION VAL 2	DRN: D. Seals	DATE: 03/29/01					
REV. LEVEL	PRODUCTION VAL 2	DRN: C. Cozart	DATE: 03/29/01					
REV. LEVEL	PRODUCTION VAL 2	DRN: D. Seals	DATE: 03/29/01					
REV. LEVEL	PRODUCTION VAL 2	DRN: C. Cozart	DATE: 03/29/01					
REV. LEVEL	PRODUCTION VAL 2	DRN: D. Seals	DATE: 03/29/01					
REV. LEVEL	PRODUCTION VAL 2	DRN: C. Cozart	DATE: 03/29/01					
REV. LEVEL	PRODUCTION VAL 2	DRN: D. Seals	DATE: 03/29/01					
REV. LEVEL	PRODUCTION VAL 2	DRN: C. Cozart	DATE: 03/29/01					
REV. LEVEL	PRODUCTION VAL 2	DRN: D. Seals	DATE: 03/29/01					
REV. LEVEL	PRODUCTION VAL 2	DRN: C. Cozart	DATE: 03/29/01					
REV. LEVEL	PRODUCTION VAL 2	DRN: D. Seals	DATE: 03/29/01					
REV. LEVEL	PRODUCTION VAL 2	DRN: C. Cozart	DATE: 03/29/01					
REV. LEVEL	PRODUCTION VAL 2	DRN: D. Seals	DATE: 03/29/01					
REV. LEVEL	PRODUCTION VAL 2	DRN: C. Cozart	DATE: 03/29/01					
REV. LEVEL	PRODUCTION VAL 2	DRN: D. Seals	DATE: 03/29/01					
REV. LEVEL	PRODUCTION VAL 2	DRN: C. Cozart	DATE: 03/29/01					
REV. LEVEL	PRODUCTION VAL 2	DRN: D. Seals	DATE: 03/29/01					
REV. LEVEL	PRODUCTION VAL 2	DRN: C. Cozart	DATE: 03/29/01					
REV. LEVEL	PRODUCTION VAL 2	DRN: D. Seals	DATE: 03/29/01					
REV. LEVEL	PRODUCTION VAL 2	DRN: C. Cozart	DATE: 03/29/01					
REV. LEVEL	PRODUCTION VAL 2	DRN: D. Seals	DATE: 03/29/01					
REV. LEVEL	PRODUCTION VAL 2	DRN: C. Cozart	DATE: 03/29/01					
REV. LEVEL	PRODUCTION VAL 2	DRN: D. Seals	DATE: 03/29/01					
REV. LEVEL	PRODUCTION VAL 2	DRN: C. Cozart	DATE: 03/29/01					
REV. LEVEL	PRODUCTION VAL 2	DRN: D. Seals	DATE: 03/29/01					
REV. LEVEL	PRODUCTION VAL 2	DRN: C. Cozart	DATE: 03/29/01					
REV. LEVEL	PRODUCTION VAL 2	DRN: D. Seals	DATE: 03/29/01					
REV. LEVEL	PRODUCTION VAL 2	DRN: C. Cozart	DATE: 03/29/01					
REV. LEVEL	PRODUCTION VAL 2	DRN: D. Seals	DATE: 03/29/01					
REV. LEVEL	PRODUCTION VAL 2	DRN: C. Cozart	DATE: 03/29/01					
REV. LEVEL	PRODUCTION VAL 2	DRN: D. Seals	DATE: 03/29/01					
REV. LEVEL	PRODUCTION VAL 2	DRN: C. Cozart	DATE: 03/29/01					
REV. LEVEL	PRODUCTION VAL 2	DRN: D. Seals	DATE: 03/29/01					
REV. LEVEL	PRODUCTION VAL 2	DRN: C. Cozart	DATE: 03/29/01					
REV. LEVEL	PRODUCTION VAL							