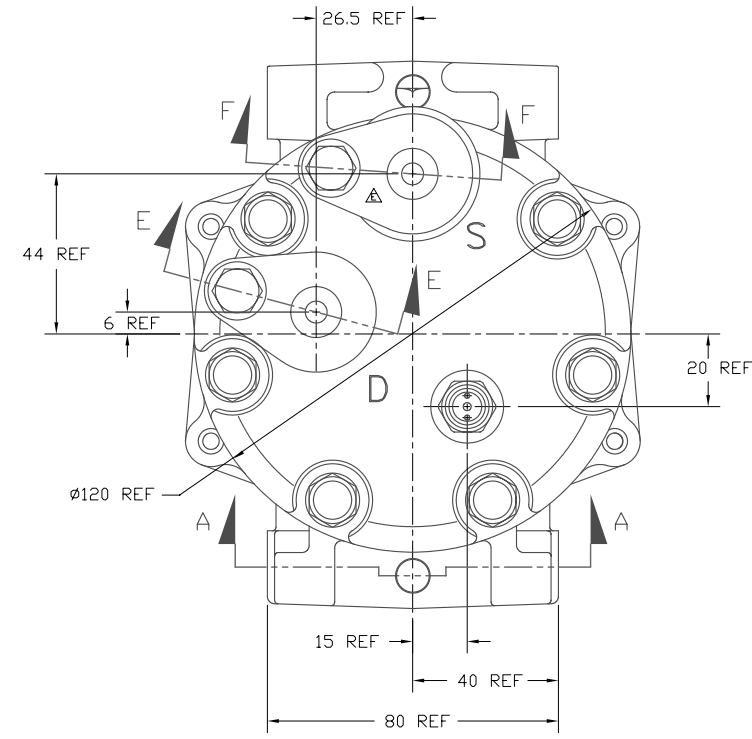
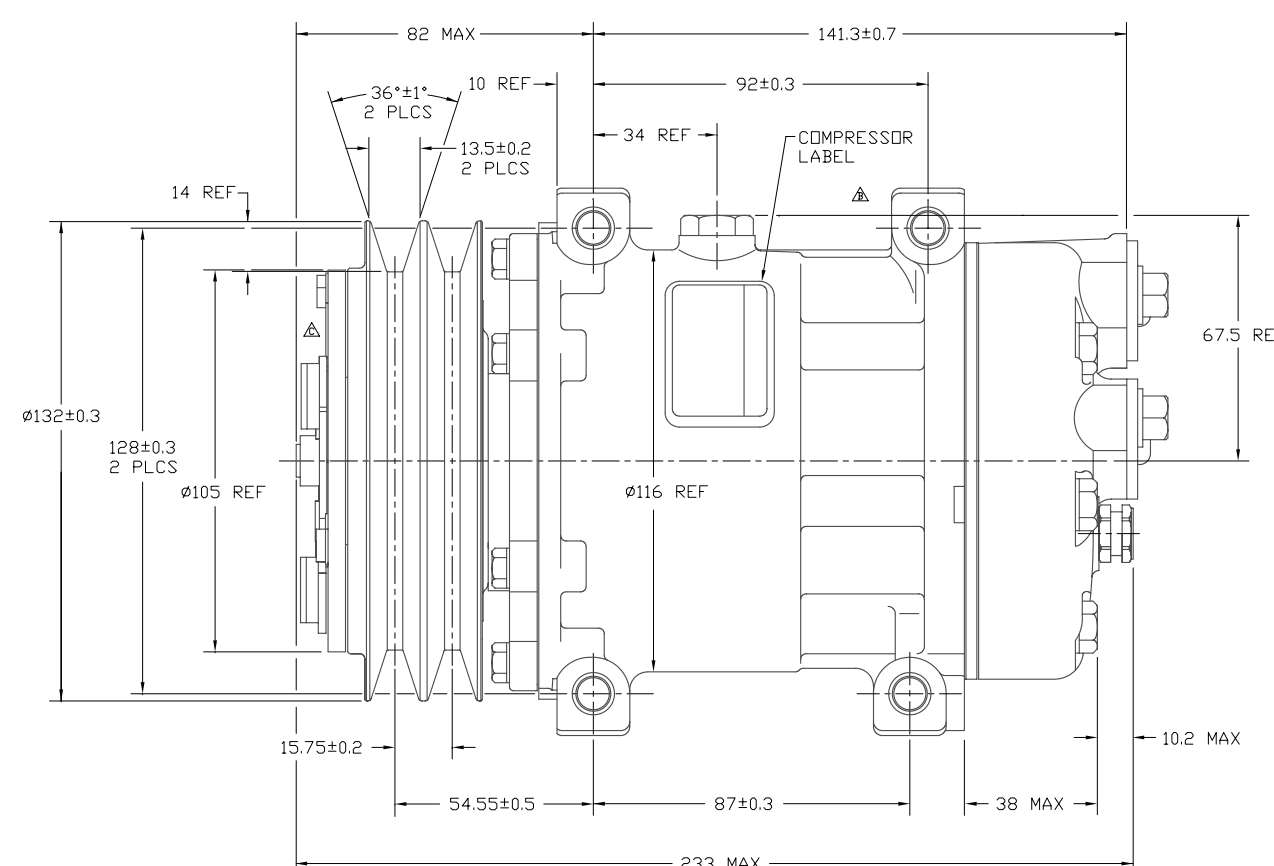
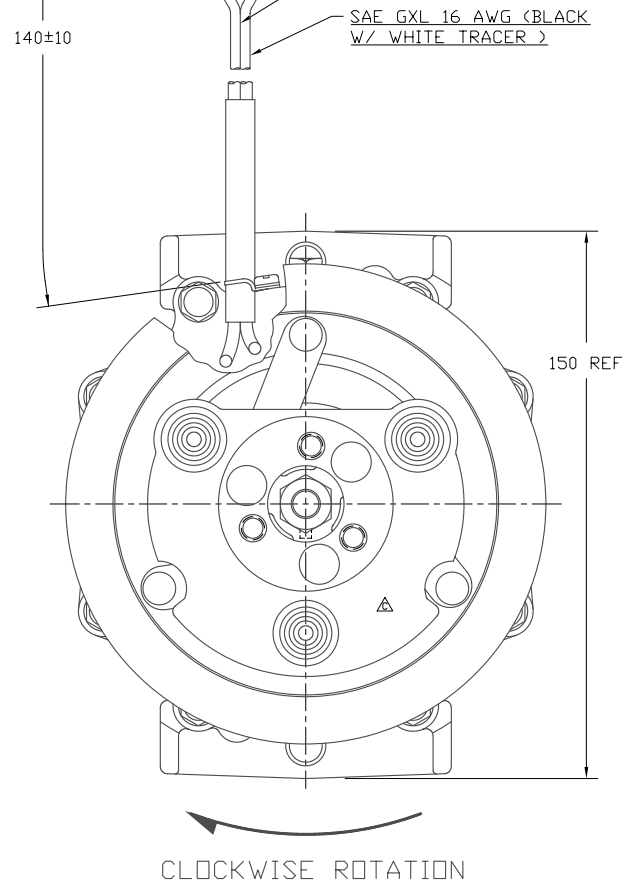
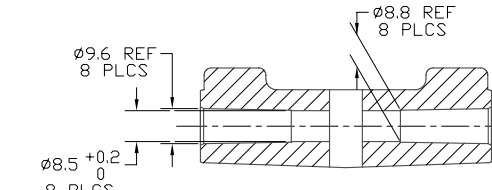
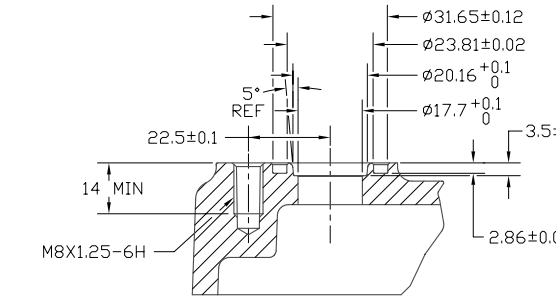
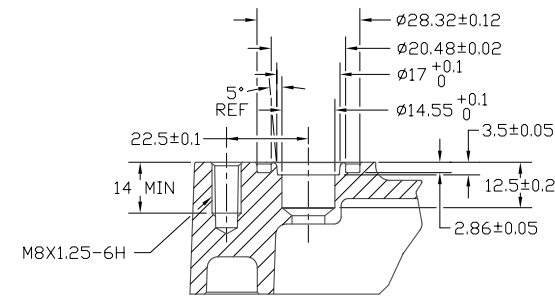
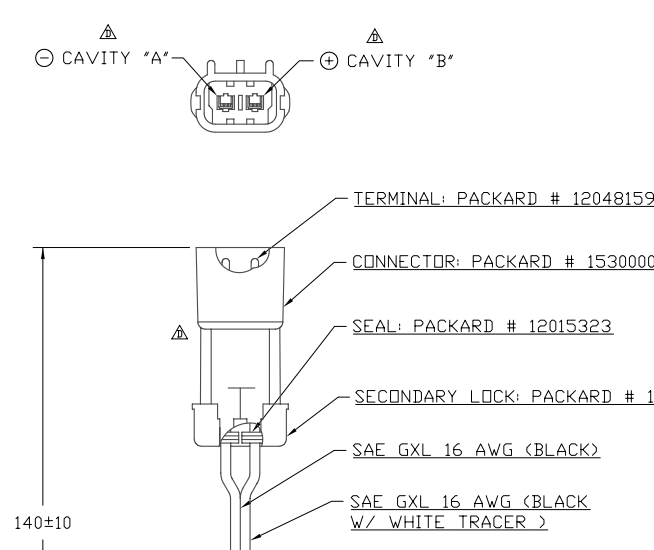


PCDN	REV	APPV DATE	REVISIONS	DWN	DSGN	CHK	APPV
			INITIAL ISSUE				
2001222			REMOVE TAB FROM CYLINDER BLOCK OIL (SP-15) WAS OIL (SP-20)	DKC	CMC	DRL	DS
2001340		11/7/01					
2002193		7/30/02	ARMATURE 6574-6030 WAS 6732-6030	JS	DS	DRL	NB
2004105		08/27/04	CHANGED WIRE CAVITY - BLACK WITH WHITE TRACER WIRE TO CAVITY 'B' AND BLACK WIRE TO CAVITY 'A'. ADDED CAVITY 'A' & CAVITY 'B'	RSR	HF	DRL	RG
2005198		09/15/05	CHANGED SUCTION PRT SHIPPING PLATE FROM 8003-6330 TO 8003-6340	RSR	NB	DRL	NB



COMPRESSOR SPECIFICATIONS

DISPLACEMENT PER REVOLUTION	154.9 cc / rev. (9.5cu.in. / rev.)
MAXIMUM ALLOWABLE R.P.M.	8000 R.P.M.
MAXIMUM ALLOWABLE CONTINUOUS R.P.M.	6000 R.P.M.
REFRIGERANT	R134a
OIL (SP-15)	300 cc (10.1 fl.oz.)
WEIGHT	7.4 kg (16.4 lb.)

CLUTCH SPECIFICATIONS

RATED VOLTAGE	DC 12V
BREAKAWAY TORQUE	3.5 kgf-m min. @ 12V
MINIMUM ENGAGEMENT VOLTAGE	7.5V @ AIR GAP 0.6mm REF
POWER CONSUMPTION	49 watts max.
BELT TYPE	A TYPE
MAXIMUM ALLOWABLE BELT TENSION	60 kgf PER BELT
PULLEY DIAMETER	132 mm (5.2 in.)
CLUTCH TYPE	HEAVY DUTY

DO NOT SCALE

REV. LEVEL	RELEASED FOR: ENG'G DEVELOPMENT	<p>SANDEN INTERNATIONAL (U.S.A.), INC.</p>	DRAWN SCALE REF 1:1 PLOTTED SCALE REF 1:1 METRIC This drawing and the information contained hereon are CONFIDENTIAL and PROPRIETARY to Sanden International (U.S.A.), Inc., are received in CONFIDENCE and shall not be used, copied, or disclosed to others without the written permission of Sanden International (U.S.A.), Inc.
DSGN	C Cozart 03/29/01		
DWN	R. Rodriguez 03/29/01	INTERPRETATION OF THIS DRAWING PER ASME Y14.5M-1994	SIZE D
CHK	Dennis Lee 03/29/01	THIRD ANGLE PROJECTION	
APPV	J Seals 03/29/01		
REV. LEVEL	RELEASED FOR: DESIGN VALIDATION	MATERIAL:	
DSGN	C Cozart 03/29/01		
APPV	J Seals 03/29/01	NAME	COMPRESSOR
REV. LEVEL	RELEASED FOR: PRODUCTION	DWG. NO.	4890-6000
DSGN	BP/NB 05/19/03	REV	E