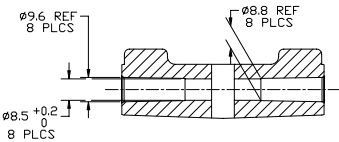
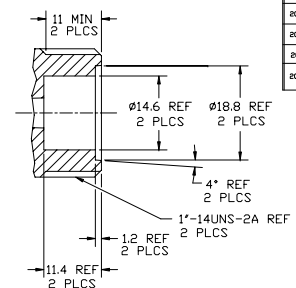
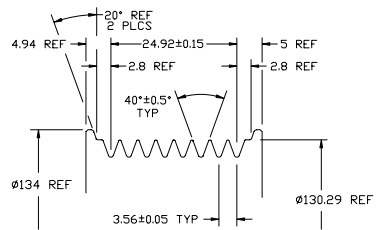
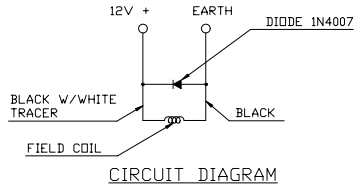
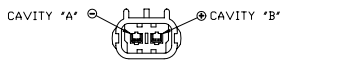


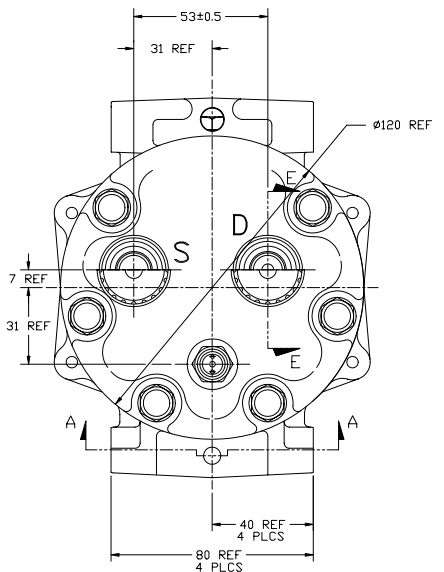
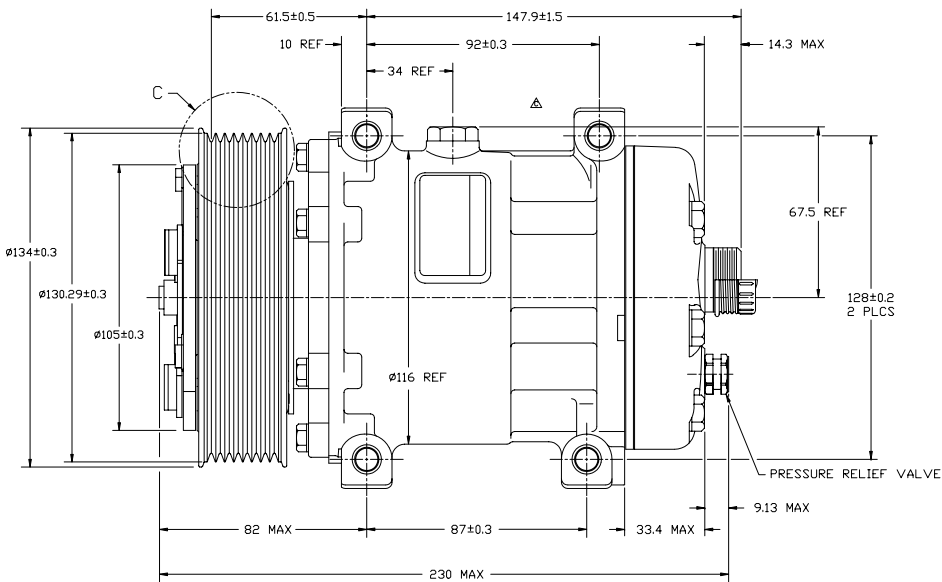
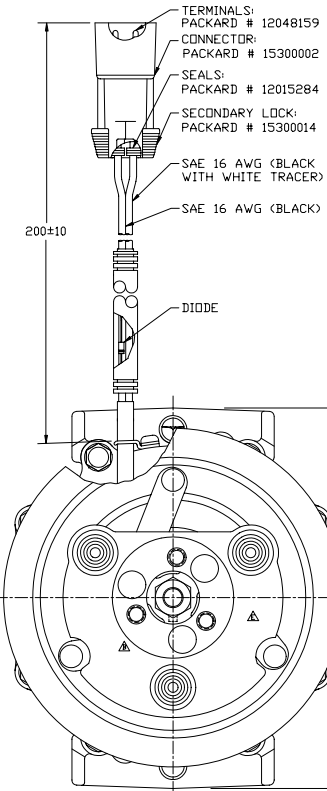
16 | 15 | 14 | 13 | 12 | 11 | 10 | 9 | 8 | 7 | 6 | 5 | 4 | 3 | 2 | 1

PCDN	REV.	APPV DATE	REVISIONS	DVN	ESGN	CHK	APPV
	Δ		INITIAL RELEASE				
200198	Δ	07/24/81	CHANGED ARMATURE ASST FROM RUBBER DAMPED TO NON-RUBBER DAMPED	SLB	CTMC	JRL	JL
200182	Δ	10/4/81	REMOVED TAB FROM CYLINDER BLOCK	SLB	CTMC	JRL	JL
200190	Δ	11/07/81	OIL SP-15 WAS SP-20	JY	ZK	JRL	JL
200273	Δ	08/13/82	6274-6282 ARMATURE CHANGED FROM 6274-6282 ARMATURE. UPDATED DRAWING TO REFLECT CHANGE	JL	JY	JRL	JL



DETAIL C
SCALE: 2:1

SECTION E-E
SCALE: 2:1
TYPICAL BOTH PORTS
(SECTION SHOWN WITH SEAL CAP REMOVED)



CLOCKWISE ROTATION

COMPRESSOR SPECIFICATIONS

DISPLACEMENT PER REVOLUTION	154.9 cc / rev. (9.5cuin. / rev.)
MAXIMUM ALLOWABLE R.P.M.	8000 R.P.M.
MAXIMUM ALLOWABLE CONTINUOUS R.P.M.	6000 R.P.M.
REFRIGERANT	R134a
OIL (SP-15)	300 cc (10.1 floz.)

CLUTCH SPECIFICATIONS

RATED VOLTAGE	DC 12V
BREAKAWAY TORQUE	3.5 kgf-m min. @ 12V
MINIMUM ENGAGEMENT VOLTAGE	7.5V @ AIR GAP 0.6mm REF
POWER CONSUMPTION	49 watts max.
BELT TYPE	PV8 TYPE
MAXIMUM ALLOWABLE BELT TENSION	120 kgf
PULLEY DIAMETER	130mm (5.12 in.)
CLUTCH TYPE	HEAVY DUTY

REV. LEVEL	RELEASED FOR DESIGN DEVELOPMENT	<p>SANDEN INTERNATIONAL (U.S.A.), INC.</p>
APPV. & DATE	BY: C. Cypard	
CHK. & DATE	BY: S. A. Auld	<p>SCALE REF 1:1</p> <p>UNIT METRIC</p>
APPV. & DATE	BY: S. A. Auld	<p>This drawing and the information contained herein are CONFIDENTIAL and PROPRIETARY to Sanden International (U.S.A.), Inc. and are to be used in CONFIDENCE and shall not be used, copied, or disclosed to others without the written permission of Sanden International (U.S.A.), Inc.</p>
APPV. & DATE	BY: C. Cypard	
REV. LEVEL	RELEASED FOR DESIGN VALIDATION	<p>INTERPRETATION OF THIS DRAWING PER ASME Y14.5M-1994</p> <p>THIRD ANGLE PROJECTION</p>
APPV. & DATE	BY: S. A. Auld	<p>SIZE D</p>
APPV. & DATE	BY: C. Cypard	MATERIAL
APPV. & DATE	BY: S. A. Auld	NAME
APPV. & DATE	BY: S. A. Auld	COMPRESSOR
APPV. & DATE	BY: S. A. Auld	DWG. NO. 4885-6000
APPV. & DATE	BY: S. A. Auld	REV. E

DO NOT SCALE

16 | 15 | 14 | 13 | 12 | 11 | 10 | 9 | 8 | 7 | 6 | 5 | 4 | 3 | 2 | 1