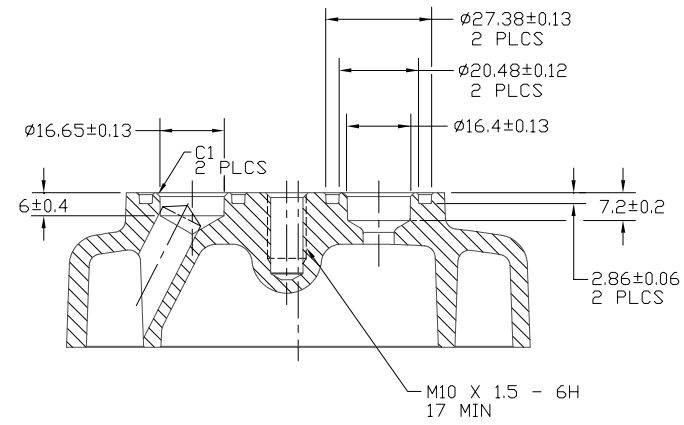
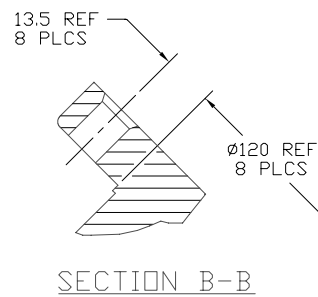
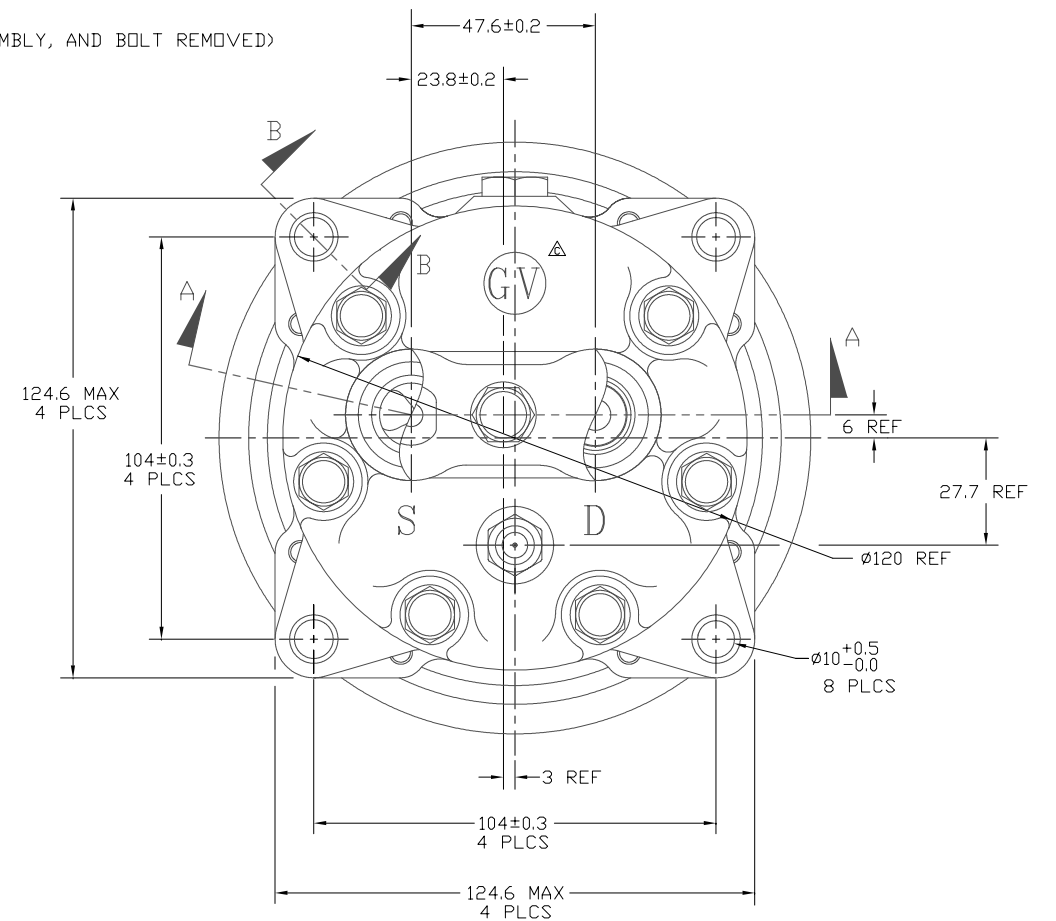
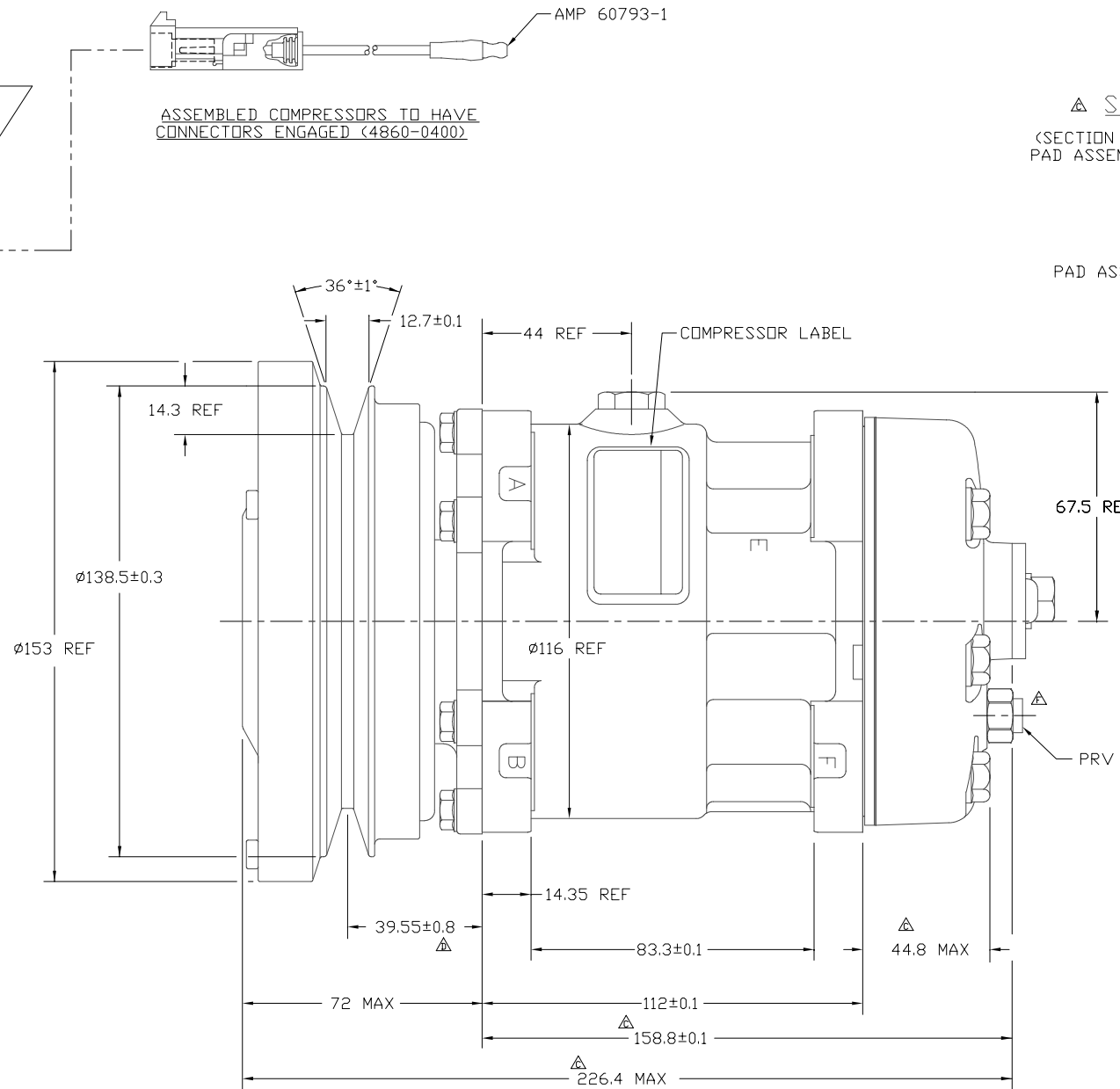
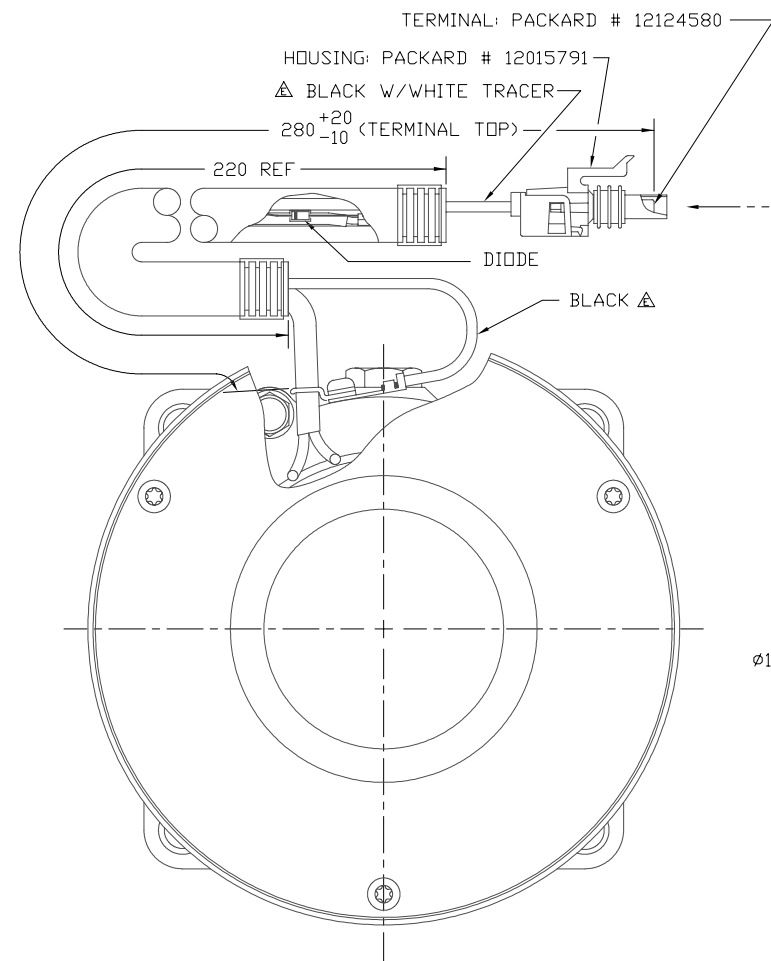


CIRCUIT DIAGRAM



SECTION A-A
(SECTION WITH O-RINGS, SHIPPING PAD ASSEMBLY, AND BOLT REMOVED)



COMPRESSOR SPECIFICATIONS (REF)

DISPLACEMENT PER REVOLUTION	154.9 cc / rev. (9.5 cu. in. / rev.)
MAXIMUM ALLOWABLE R.P.M.	4000 R.P.M.
MAXIMUM ALLOWABLE CONTINUOUS R.P.M.	4000 R.P.M.
REFRIGERANT	R134a
OIL (SP-15)	200 cc (6.76 fl.oz.)
WEIGHT	8.5 kg (18.8 lb)

CLUTCH SPECIFICATIONS (REF)

RATED VOLTAGE	DC 12V
BREAKAWAY TORQUE	3.5 kgf-m min. @ 12V
MINIMUM ENGAGEMENT VOLTAGE	7.5V @ AIR GAP 0.6mm
POWER CONSUMPTION	43 watts max.
BELT TYPE	A TYPE
MAXIMUM ALLOWABLE BELT TENSION	60 kgf
PULLEY DIAMETER	138 mm (5.453 in.)
CLUTCH TYPE	SEALED HEAVY DUTY

NOTE:
1. N₂ HOLDING CHARGE DELETED.

PDCN	REV.	APPV DATE	REVISIONS	DWN	DSGN	CHK	APPV
2001340	A	11/7/01	INITIAL ISSUE	JS	LK	DRL	MY
2002074	A	3/27/02	44.8 MAX WAS 33.4, 226.4 MAX WAS 220 MAX, 158.8±0.6 WAS 147.4±0.6, REMOVE GN CYL HEAD AND DIMS ADDED GV CYL HEAD AND DIMS. REVISED SECT A-A	DKC	MH	DRL	JC
2002175	A	6/24/02	39.55±0.8 WAS 39.55±0.3	DRL	MH	DRL	RG
2003033	A	3/28/03	BLACK W/WHITE TRACER WAS BLACK BLACK WAS BLACK W/WHITE TRACER ADDED BLACK IN COMPRESSOR SPECIFICATIONS: 4000 RPM WAS 7000 RPM 4000 RPM WAS 6000 RPM 8.5 kg (18.8lb) WAS TBD	JS	DS	DRL	RG
2006310	A	12/11/06	PRV: 4307-6470 WAS 4967-6470	RSR	JW	DRL	TK

REV. LEVEL	RELEASED FOR ENGG. DEVELOPMENT	<p>SANDEN INTERNATIONAL (U.S.A.), INC.</p> <p>SCALE REF 1:1 PLOTTED SCALE REF NONE METRIC</p> <p>This drawing and the information contained hereon are CONFIDENTIAL and PROPRIETARY to Sanden International (U.S.A.), Inc., and shall not be used, copied, or disclosed to others without the written permission of Sanden International (U.S.A.), Inc.</p>
DWN	M Harrington	
APPV.	D Seals	
APPV. DATE	03/23/01	
REV. LEVEL	RELEASED FOR DESIGN VALIDATION	INTERPRETATION OF THIS DRAWING PER ASME Y14.5M-1994
DWN	M Harrington	THIRD ANGLE PROJECTION
APPV.	D Seals	SIZE D
APPV. DATE	03/23/01	
REV. LEVEL	RELEASED FOR PRODUCTION VAL'D.	MATERIAL:
DWN	M Harrington	
APPV.	D Seals	NAME
APPV. DATE	03/23/01	COMPRESSOR
REV. LEVEL	RELEASED FOR PRODUCTION	DWG. NO.
DWN	Mark Harrington	4875-6000
APPV.	Robert Garver	REV F
APPV. DATE	6/24/02	

DO NOT SCALE