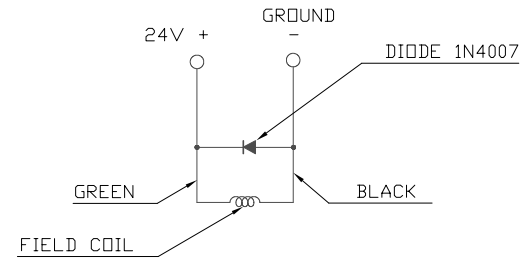
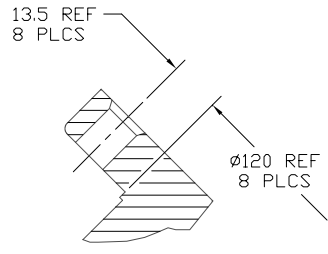


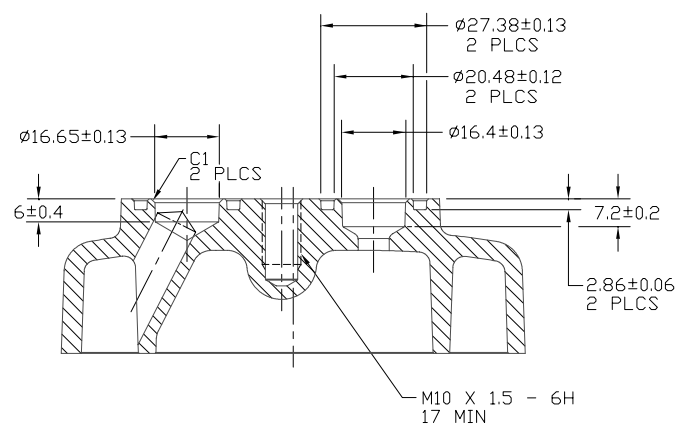
PDCN	REV.	APPV DATE	REVISIONS	DWN	DSGN	CHK	APPV
	1		INITIAL RELEASE				
2001112	2	3/26/01	66.6 REF WAS 67 MAX REMOVED 230 MAX, ADDED 215 MAX	DKC	MH	DRL	DS
2001340	3	11/07/01	OIL SP-15 WAS SP-20	JS	LK	DRL	MY
2002074	4	04/01/02	REMOVED 'GM' CYLINDER HEAD AND DIMS AND ADDED 'GV' CYLINDER HEAD AND DIMS 226.4 MAX WAS 215 MAX 44.8 MAX WAS 33.4 MAX 158.8±0.6 WAS 147.4±0.6 UPDATED SECTION C-C CHANGED VIEW OF WIRING ADAPTOR	RSR	MH	DRL	JC
2002175	5	6/24/02	39.55±0.8 WAS 39.55±0.3	DRL	MH	DRL	RG
2006310	6	12/11/06	PRV: 4307-6470 WAS 4967-6470	RSR	JW	DRL	TK



CIRCUIT DIAGRAM

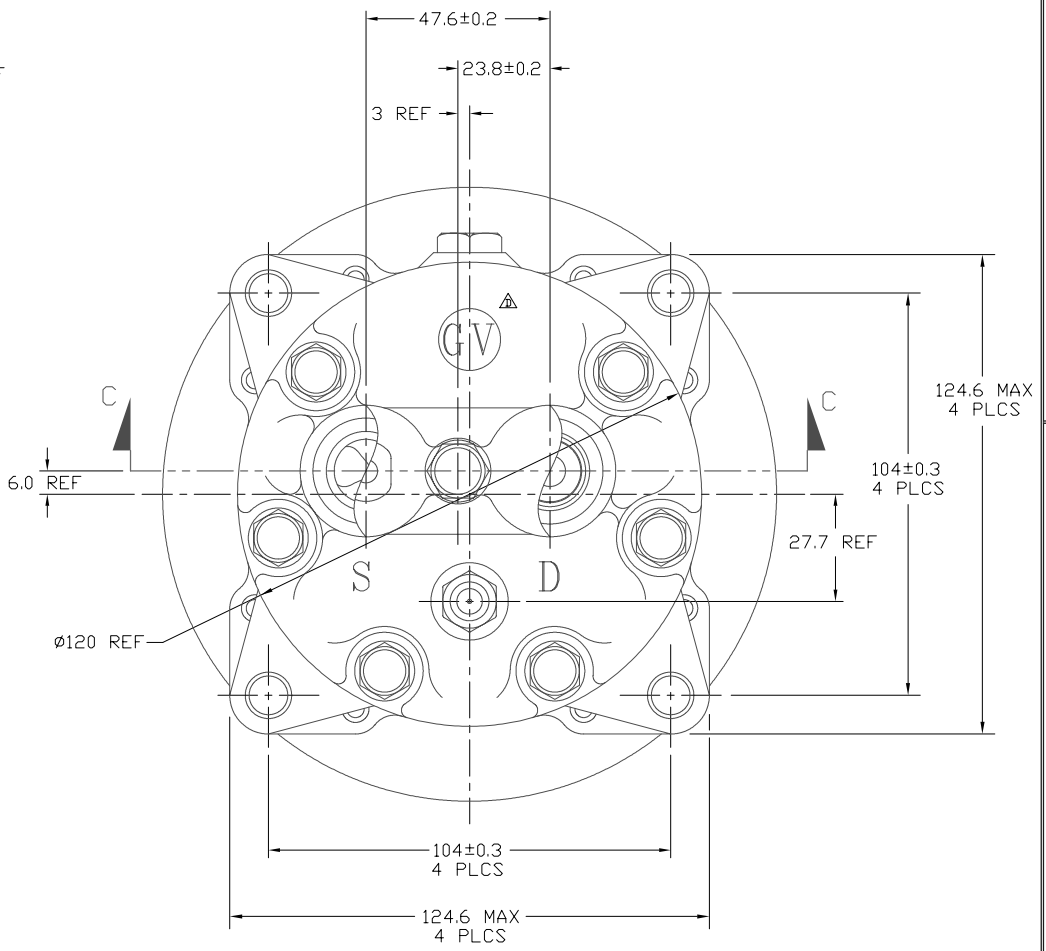
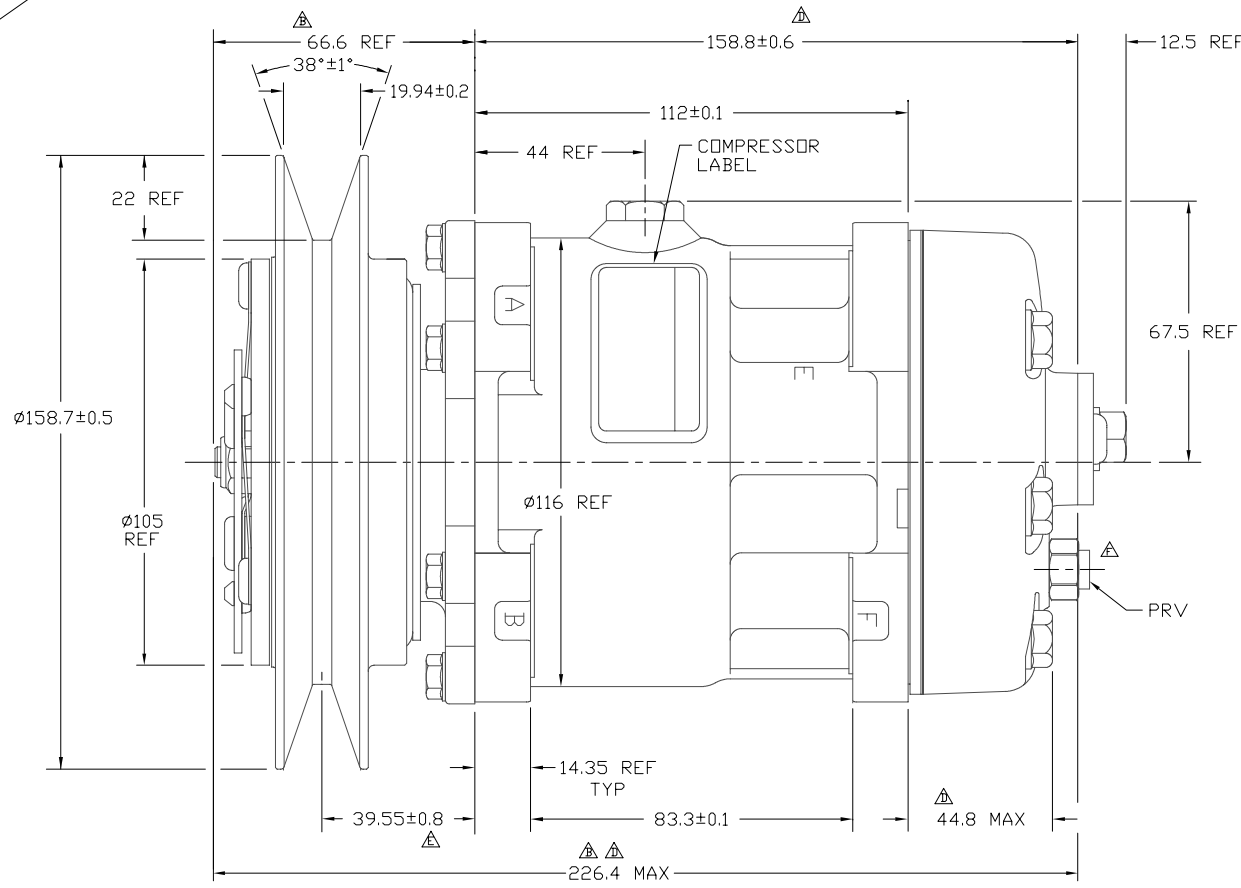
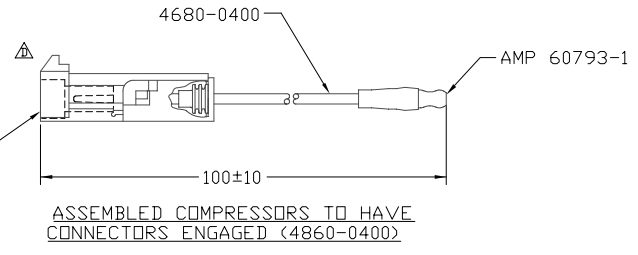
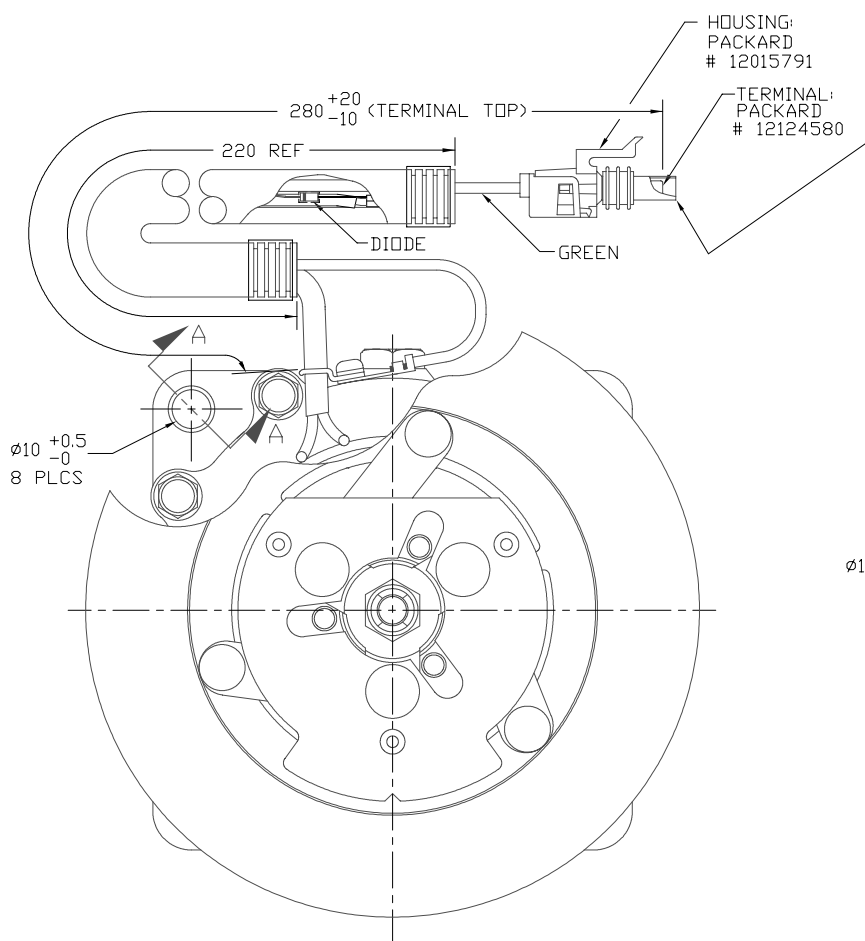


SECTION A-A



SECTION C-C

(SECTION WITH O-RINGS, SHIPPING PAD ASSEMBLY, AND BOLT REMOVED)



COMPRESSOR SPECIFICATIONS (REF)

DISPLACEMENT PER REVOLUTION	154.9 cc / rev. (9.5cu.in. / rev.)
MAXIMUM ALLOWABLE SPEED	7000 R.P.M.
MAXIMUM ALLOWABLE CONTINUOUS SPEED	6000 R.P.M.
REFRIGERANT	R134A
OIL (SP-15)	200 cc (6.76 fl.oz.)
WEIGHT	7.6 kg (16.8 lb.)

CLUTCH SPECIFICATIONS (REF)

RATED VOLTAGE	DC 24V
BREAKAWAY TORQUE	3.5 kgf-m min. @ 24V
MINIMUM ENGAGEMENT VOLTAGE	16V @ AIR GAP 0.6mm
POWER CONSUMPTION	34 watts max.
BELT TYPE	C TYPE
MAXIMUM ALLOWABLE BELT TENSION	60 kgf
PULLEY DIAMETER	Ø158.7 mm (6.25 in.)
CLUTCH TYPE	HEAVY DUTY

NOTE:
1. N₂ HOLDING CHARGE DELETED.

DO NOT SCALE

REV. LEVEL	RELEASED FOR: ENG'G DEVELOPMENT	<p>SANDEN INTERNATIONAL (U.S.A.), INC.</p>
DWN	Mark Harrington	
CHK	John Sokolowski	DRAWN SCALE REF 1:1 PLOTTED SCALE REF NONE METRIC
APPV.	Dennis Lee	<p>This drawing and the information contained hereon are CONFIDENTIAL and PROPRIETARY to Sanden International (U.S.A.), Inc., and are received in CONFIDENCE and shall not be used, copied, or disclosed to others without the written permission of Sanden International (U.S.A.), Inc.</p>
APPV. DATE	2/22/01	
REV. LEVEL	RELEASED FOR: DESIGN VALIDATION	INTERPRETATION OF THIS DRAWING PER ASME Y14.5M-1994
DWN	Mark Harrington	THIRD ANGLE PROJECTION
APPV.	Dennis Lee	SIZE D
APPV. DATE	2/22/01	
REV. LEVEL	RELEASED FOR: PRODUCTION VAL'D.	MATERIAL:
DWN	Mark Harrington	
APPV.	Dennis Lee	NAME
APPV. DATE	2/22/01	COMPRESSOR
REV. LEVEL	RELEASED FOR: PRODUCTION	DWG. NO.
DWN	Mark Harrington	4870-6000
APPV.	Robert Garver	REV
APPV. DATE	6/24/02	F