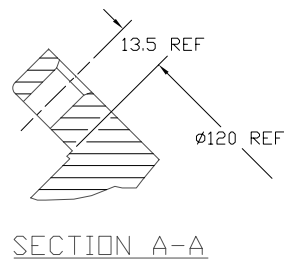
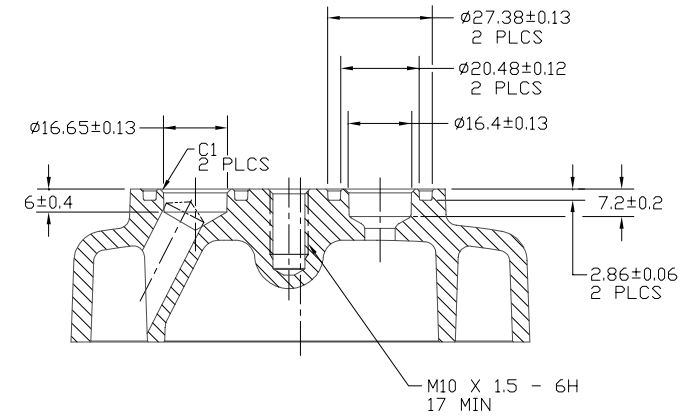


CIRCUIT DIAGRAM

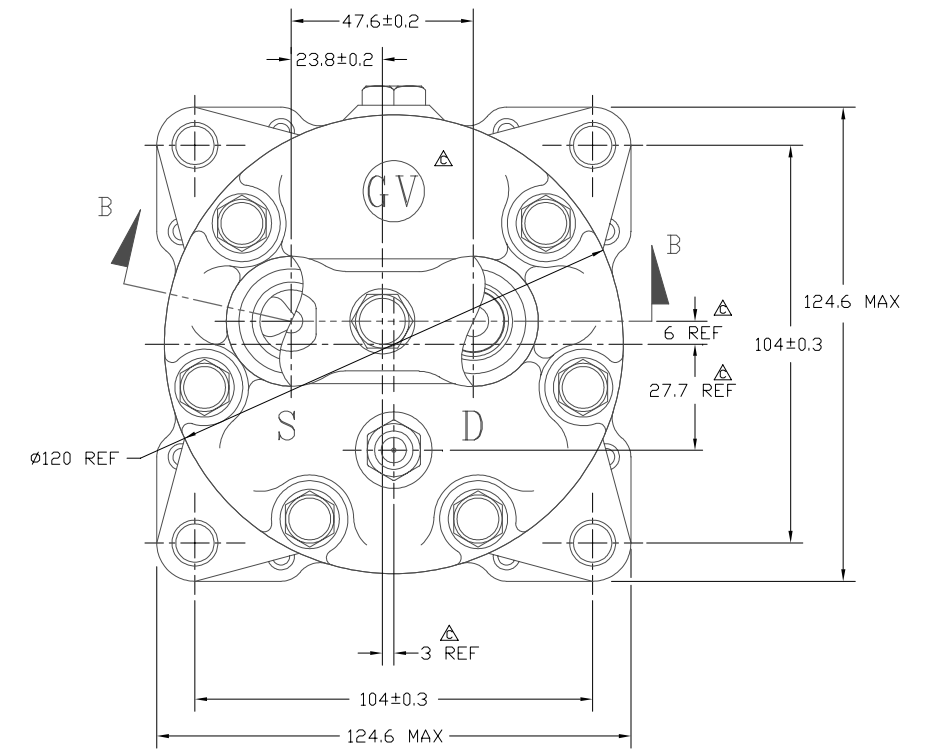
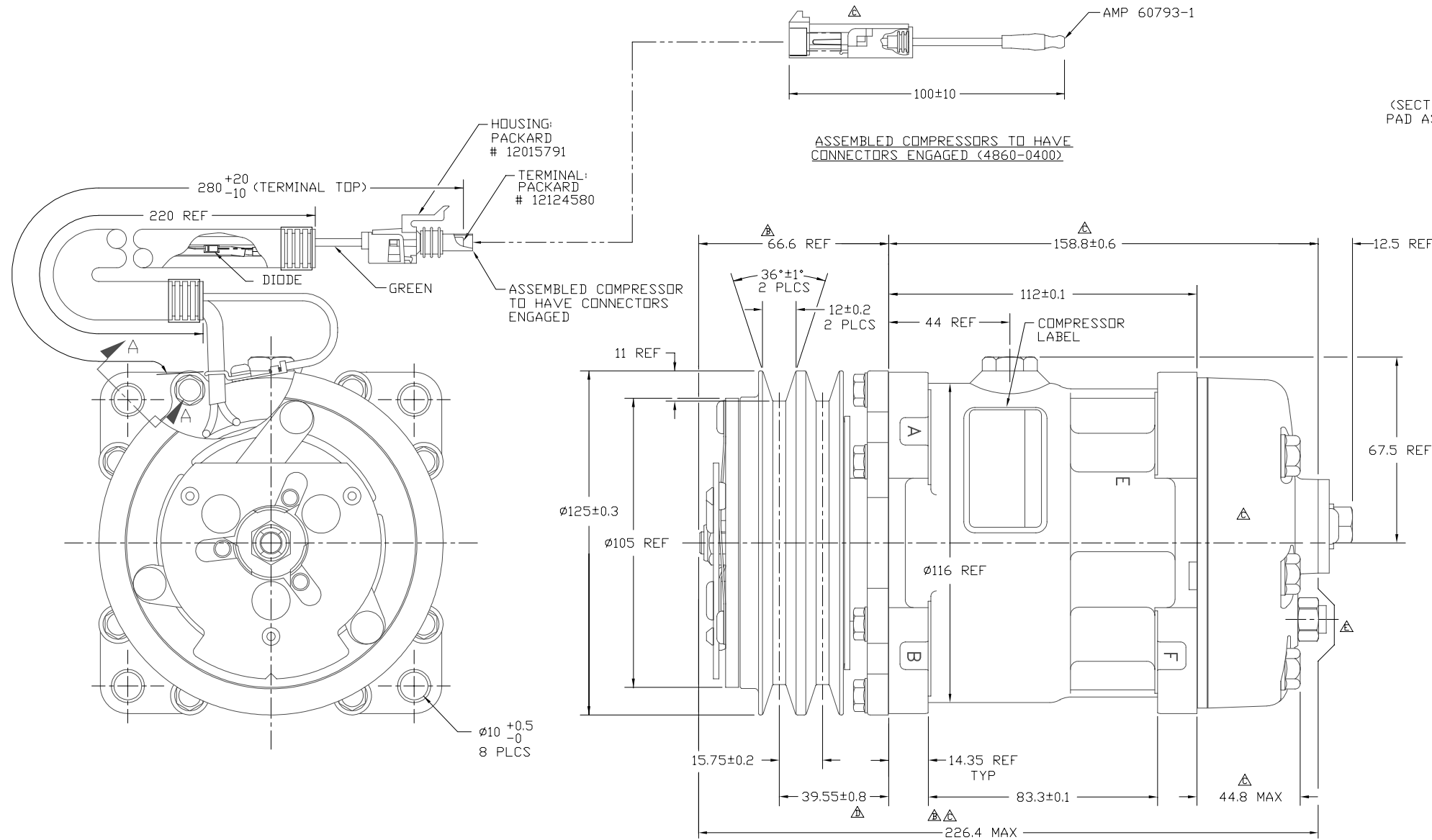


SECTION A-A



SECTION B-B  
(SECTION WITH O-RINGS, SHIPPING PAD ASSEMBLY, AND BOLT REMOVED)

REV. LEVEL	REV.	DATE	REVISIONS	DWN	DSGN	CHK	APPV
			INITIAL RELEASE				
2001112		3/26/01	66.6 REF WAS 67 MAX DELETED 230 MAX, ADDED 215 MAX	JS	ML	DR	JS
2002074		3/27/02	REMOVED "GV" CYLINDER HEAD WITH DIMENSIONS, ADDED "GV" CYLINDER HEAD WITH DIMENSIONS. CHANGED VIEW OF WIRING ADAPTER 4860-0400 44.8 MAX WAS 33.4 MAX 158.8±0.6 WAS 147.4±0.6 226.4 MAX WAS 215 MAX	JS	ML	DR	JS
2002175		6/24/02	39.55±0.8 WAS 39.55±0.3	JS	ML	DR	JS
2006310		11/20/06	FRV 4307-6470 WAS 4967-6470	DR	ML	DR	ML



COMPRESSOR SPECIFICATIONS

DISPLACEMENT PER REVOLUTION	154.9 cc / rev. ( 9.5cu.in. / rev. )
MAXIMUM ALLOWABLE SPEED	7000 R.P.M.
MAXIMUM ALLOWABLE CONTINUOUS SPEED	6000 R.P.M.
REFRIGERANT	R134a
OIL ( SP-15 )	200 cc ( 6.76 fl.oz. )
WEIGHT	7.6 kg ( 16.8 lb. )

CLUTCH SPECIFICATIONS

RATED VOLTAGE	DC 24V
BREAKAWAY TORQUE	3.5 kgf-m min. @ 24V
MINIMUM ENGAGEMENT VOLTAGE	16V @ AIR GAP 0.6mm REF
POWER CONSUMPTION	34 watts max.
BELT TYPE	A TYPE
MAXIMUM ALLOWABLE BELT TENSION	60 kgf per belt
PULLEY DIAMETER	Ø125 mm ( 4.9 in. )
CLUTCH TYPE	HEAVY DUTY

NOTE:  
1. N<sub>2</sub> HOLDING CHARGE DELETED.

DO NOT SCALE

REV. LEVEL	RELEASED FOR:	DATE	SCALE REF	PLOTTED SCALE REF	SIZE
A	RELEASD FOR: ENGR. DEVELOPMENT DSGN: Mark Harrington APPV: John Babalowski CHK: Dennis Lee DATE: 2/21/01	2/21/01	1:1	1:1	METRIC
A	RELEASD FOR: DESIGN VALIDATION DSGN: Mark Harrington APPV: B. Swals DATE: 2/22/01	2/22/01			
A	RELEASD FOR: PRODUCTION VAL'D. DSGN: Mark Harrington APPV: B. Swals DATE: 2/22/01	2/22/01			
D	RELEASD FOR: PRODUCTION DSGN: Mark Harrington APPV: Robert Sencer DATE: 6/24/02	6/24/02			

SANDEN INTERNATIONAL (U.S.A.), INC.	
This drawing and the information contained hereon are CONFIDENTIAL and PROPRIETARY to Sanden International (U.S.A.), Inc., are received in CONFIDENCE and shall not be used, copied, or disclosed to others without the written permission of Sanden International (U.S.A.), Inc.	
INTERPRETATION OF THIS DRAWING PER ASME Y14.5M-1994	
THIRD ANGLE PROJECTION	SIZE D
MATERIAL:	
NAME: COMPRESSOR	
DWG. NO. 4862-6000	REV. E