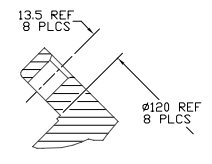
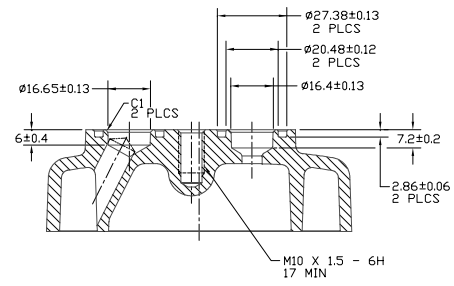


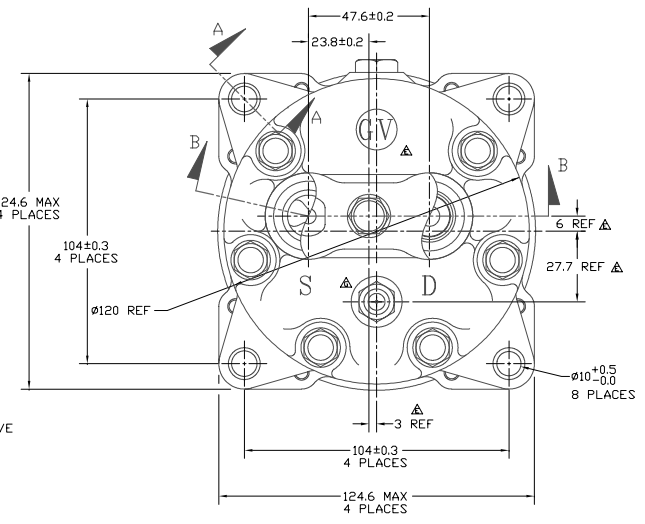
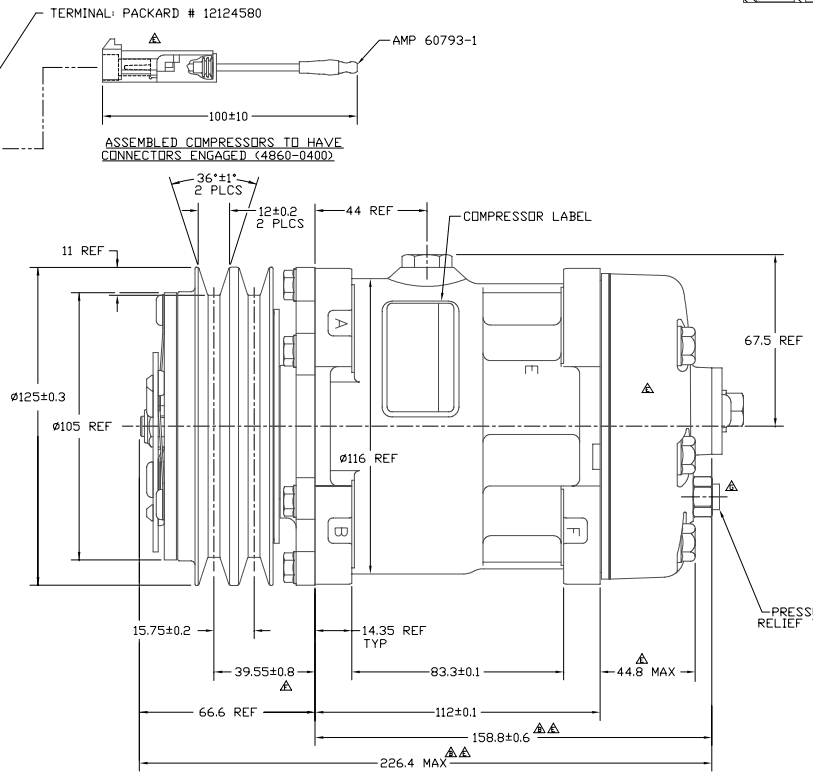
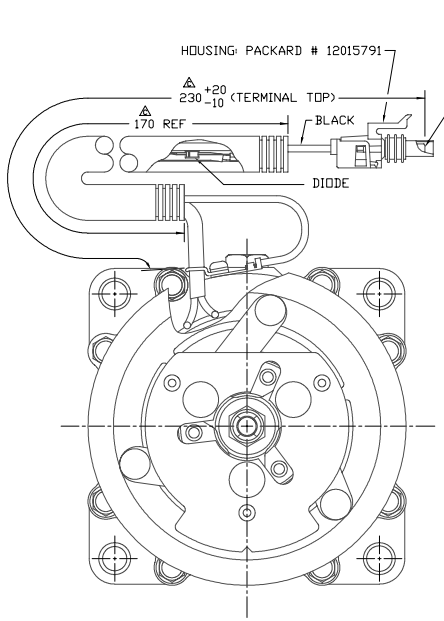
CIRCUIT DIAGRAM



SECTION A-A



SECTION B-B
(SECTION WITH O-RINGS, SHIPPING PAD ASSEMBLY, AND BOLT REMOVED)



PCDN	REV	APPV	REVISIONS	DWN	ESGN	CHK	APPV
			INITIAL ISSUE				
000112	Δ	3/26/01	REVISED 230 MAX, ADDED 215 MAX, 1474402	DKC	MH	DRL	DS
000126	Δ	8/28/01	230 WAS 280, 170 REF WAS 220 REF	JS	MH	DRL	DS
000140	Δ	11/7/01	OIL SP-15 WAS SP-20	JS	LK	DRL	MY
000274	Δ	3/27/02	REVISED FOR CYLINDER HEAD WITH DIMENSIONS, ADDED GV CYLINDER HEAD WITH DIMENSIONS, CHANGED VIEW OF VIEWING ADAPTER 4860-0400	JS	MH	DRL	JC
000175	Δ	6/24/02	REVISED FOR CYLINDER HEAD WITH DIMENSIONS, ADDED GV CYLINDER HEAD WITH DIMENSIONS, CHANGED VIEW OF VIEWING ADAPTER 4860-0400	JS	MH	DRL	RG
000630	Δ	12/07/06	PRV 4307-6470 WAS 4967-6470	JS	JW	DRL	RM

COMPRESSOR SPECIFICATIONS (REF)

DISPLACEMENT PER REVOLUTION	154.9 cc / rev. (9.5 cu. in. / rev.)
MAXIMUM ALLOWABLE R.P.M.	7000 R.P.M.
MAXIMUM ALLOWABLE CONTINUOUS R.P.M.	6000 R.P.M.
REFRIGERANT	R134a
DIL (SP-15)	200 cc (6.76 fl.oz.)
WEIGHT	7.6 Kg (16.8 LBS)

CLUTCH SPECIFICATIONS (REF)

RATED VOLTAGE	DC 12V
BREAKAWAY TORQUE	3.5 kgf-m min. @ 12V
MINIMUM ENGAGEMENT VOLTAGE	7.5V @ AIR GAP 0.6mm
POWER CONSUMPTION	49 watts max.
BELT TYPE	A TYPE
MAXIMUM ALLOWABLE BELT TENSION	60 kgf per belt
PULLEY DIAMETER	125 mm (4.92 in.)
CLUTCH TYPE	HEAVY DUTY

NOTE:
1. N₂ HOLDING CHARGE DELETED.

RELEASED FOR PROTO. DEVELOPMENT FROM: M. Heston	SCALE REF 1:1	PLOTTED SCALE REF 1:1	<p>SANDEN SANDEN INTERNATIONAL CORPORATION, INC.</p> <p>This drawing and the information contained herein are CONFIDENTIAL and PROPRIETARY to Sanden International (U.S.A.), Inc. and shall not be used, copied, or disclosed to others without the written permission of Sanden International (U.S.A.), Inc.</p> <p>INTERPRETATION OF THIS DRAWING PER ASME Y14.5M-1994</p> <p>THIRD ANGLE PROJECTION</p> <p>MATERIAL: ϕ \leftarrow \rightarrow</p>
DATE: 2/23/01	DATE: 2/23/01	DATE: 2/23/01	
RELEASED FOR DESIGN VALIDATION FROM: M. Heston	DATE: 2/23/01	DATE: 2/23/01	NAME: _____
RELEASED FOR PRODUCTION VAL. FROM: M. Heston	DATE: 2/23/01	DATE: 2/23/01	COMPRESSOR
RELEASED FOR PRODUCTION FROM: M. Heston	DATE: 2/23/01	DATE: 2/23/01	DWG. NO. 4860-6000
DATE: 6/24/02			REV G

DO NOT SCALE