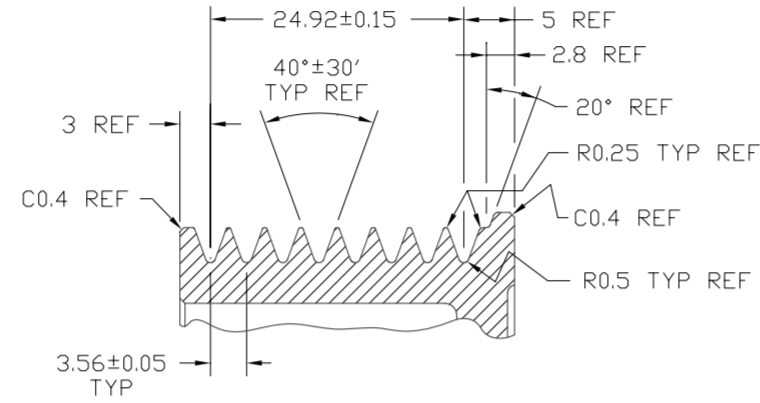
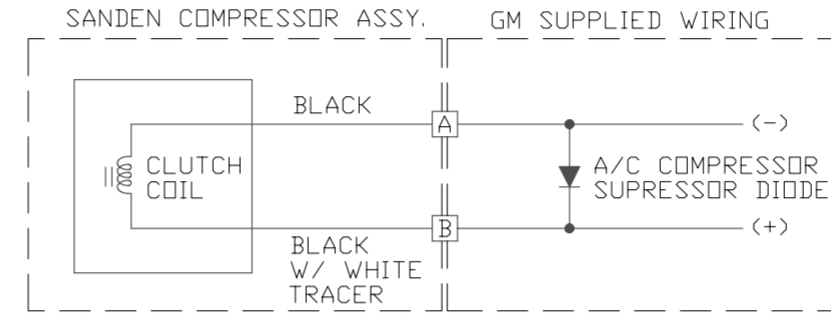


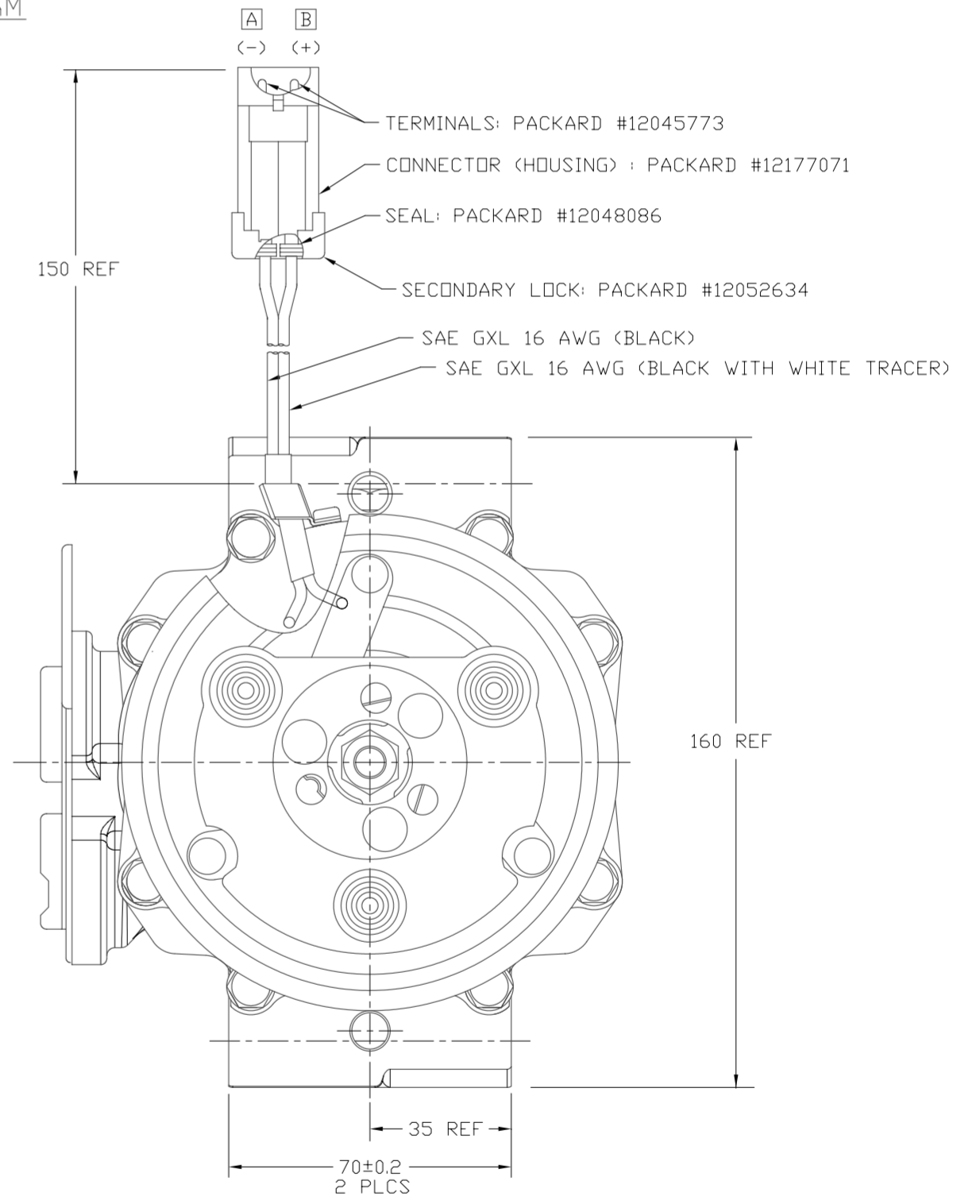
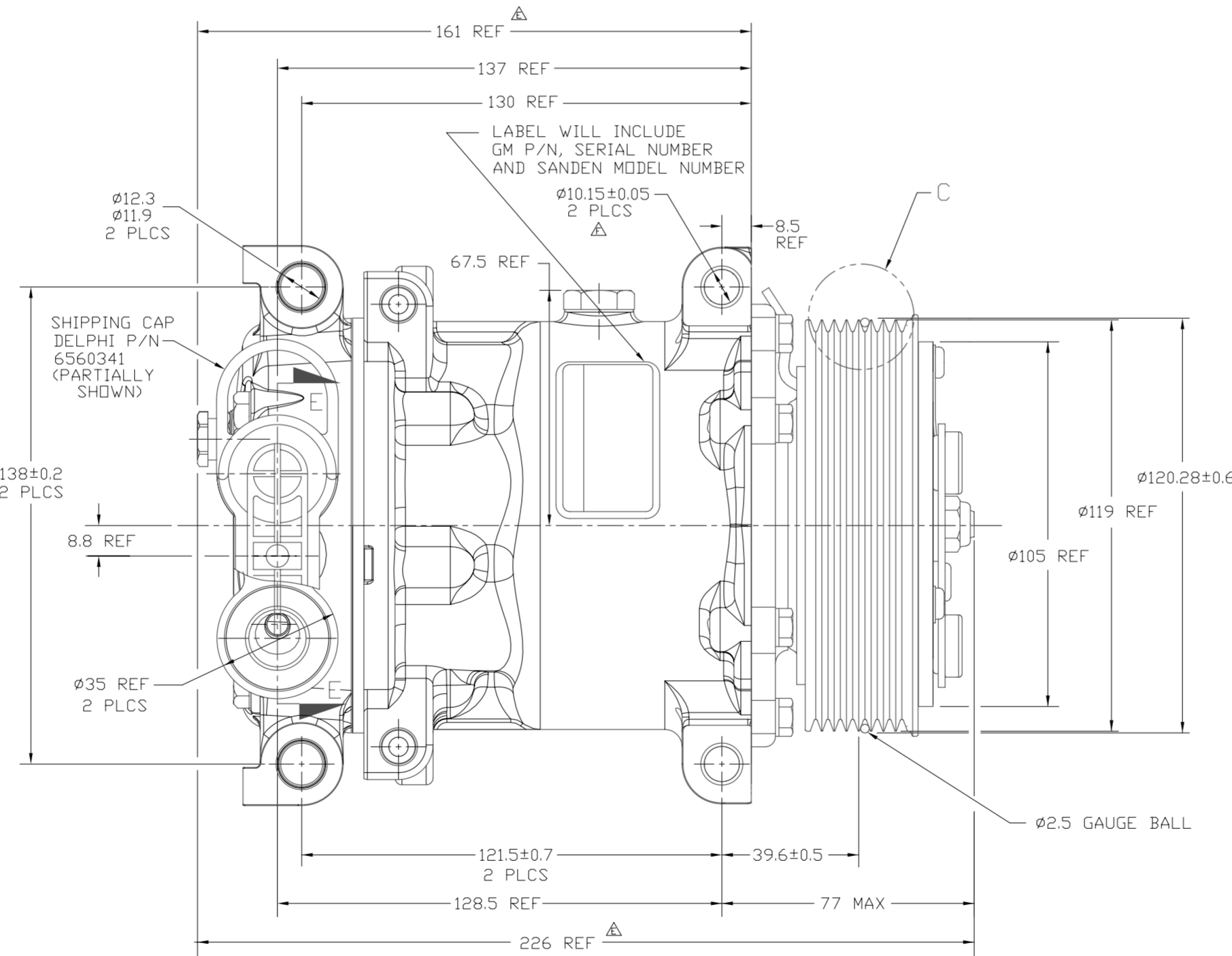
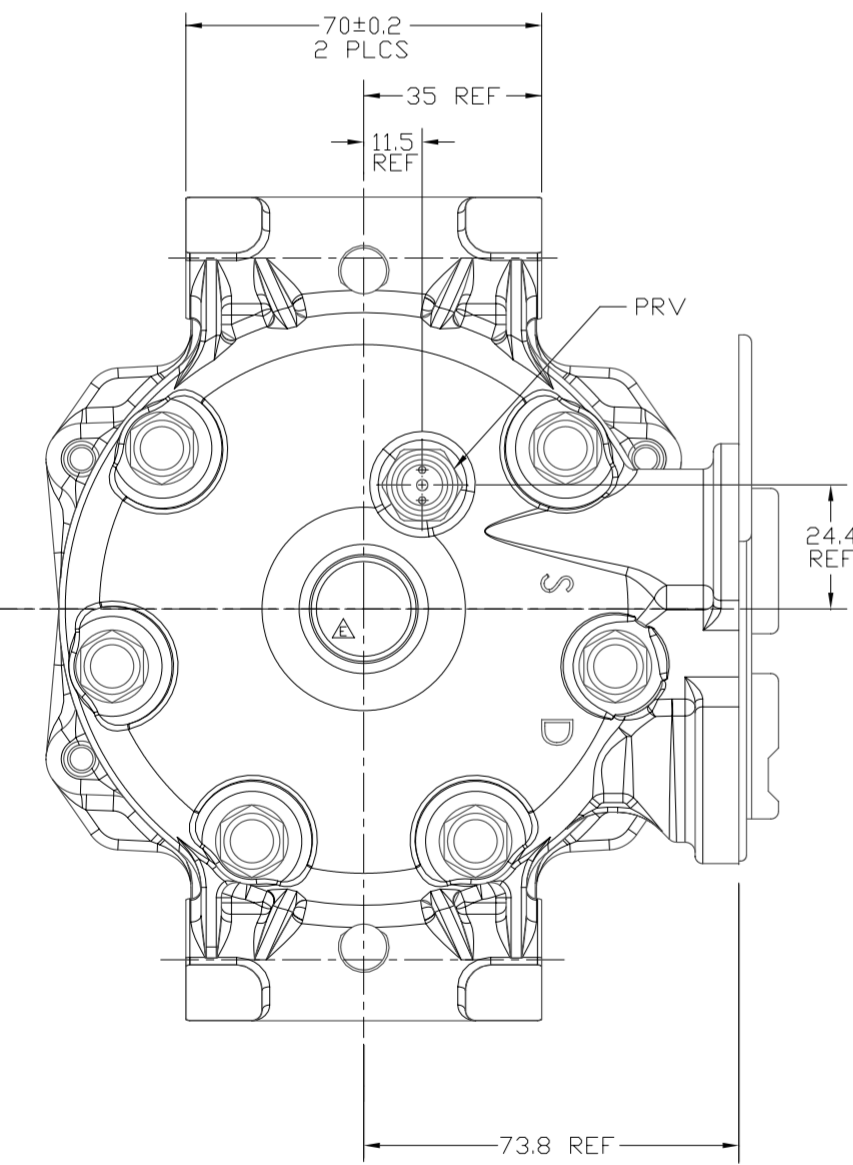
SECTION E-E
(SHIPPING CAP NOT SHOWN,
SECTION ROTATED 90° CCW)



DETAIL C
SCALE - 2:1



COMPRESSOR/ENGINE WIRING DIAGRAM
FOR REFERENCE ONLY



GM PART NUMBER: 15112552

COMPRESSOR SPECIFICATIONS

DISPLACEMENT PER REVOLUTION	154.9 cc / rev. (9.5cu.in. / rev.)
MAXIMUM ALLOWABLE R.P.M.	8000 r.p.m.
MAXIMUM ALLOWABLE CONTINUOUS R.P.M.	6000 r.p.m.
REFRIGERANT	R134a
OIL (SP-15)	240 cc ±10 cc (8.1 fl.oz.)
WEIGHT	7.9 kg (17.4 lb.)

CLUTCH SPECIFICATIONS

RATED VOLTAGE	DC 12V
BREAKAWAY TORQUE	3.5 kgf-m
MINIMUM ENGAGEMENT VOLTAGE	7.5V max @ AIR GAP 0.6mm REF
POWER CONSUMPTION	49 watts max.
BELT TYPE	PV8
MAXIMUM ALLOWABLE BELT TENSION	120 kgf
PULLEY DIAMETER	Ø119
CLUTCH TYPE	STANDARD

NOTES:

1. AIAG LABEL (4600-5700)

DO NOT SCALE

PDCN	REV	APPV DATE	REVISIONS	DWN	DSGN	CHK	APPV
2001340	1	11/29/01	INITIAL ISSUE	DKC	LK	DRL	MY
2002070	2	03/22/02	ADDED 'PER EWD #AGP24' TO REV B DESCRIPTION GM PART NUMBER: 15064835 WAS GM PART NUMBER: 133 GM PRODUCTION RELEASE PER EWD# AFMY	RSR	RG	NB	TS
2003070c	3	3/19/03	VA/VE CHANGES LIP SEAL, VALVE PLATE AND LOCATION PIN PER EWD# AKKTC	DRL	MAS	DRL	RG
2003173	4	06/13/03	REMOVED HP/CD SENSOR ON COMPRESSOR PER EWD# ATDZS REPLACE SWITCH WITH PLUG FOR TEMP. FIX UNTIL NEW CASTING PART IS READY - PER EWD #ATDZS 161 REF WAS 162 REF 226 REF WAS 227 REF GM PART NUMBER 15112552 WAS 15064835	RSR	PN	DRL	NB
2002985	5	8-16-05	Ø10.15±0.05 2 PLCS WAS Ø10.15±0.05 2 PLCS	DRL	NB	DRL	NB

REV. LEVEL	RELEASED FOR: ENGG. DEVELOPMENT	 SANDEN INTERNATIONAL (U.S.A.) INC. SCALE REF 1:1 PLOTTED SCALE REF 1:1 METRIC
A	DSGN: Paul Nauclich APPV: R. Rodriguez CHK: Mike Burns DATE: 8/7/00 APPV: Calhoun	
REV. LEVEL	RELEASED FOR: DESIGN VALIDATION	
A	DSGN: Paul Nauclich APPV: Calhoun DATE: 10/8/00	
REV. LEVEL	RELEASED FOR: PRODUCTION VAL'D.	INTERPRETATION OF THIS DRAWING PER ASME Y14.5M-1994 THIRD ANGLE PROJECTION SIZE D MATERIAL: NAME: DWG. NO. 4850-6000 REV F
A	DSGN: Paul Nauclich APPV: Calhoun DATE: 10/8/00	
REV. LEVEL	RELEASED FOR: PRODUCTION	
C	DSGN: Mike Burns APPV: B. N. Burns DATE: 1-28-03	