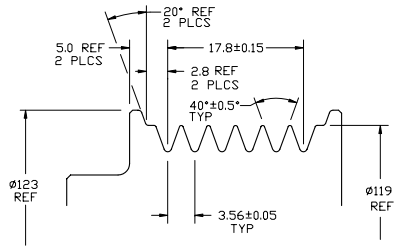
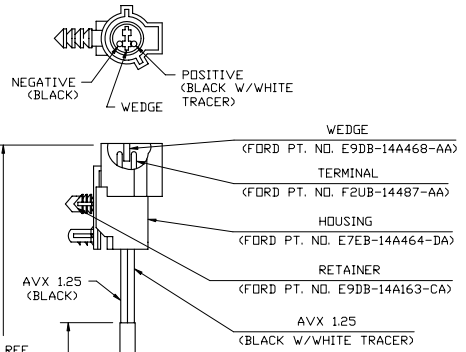
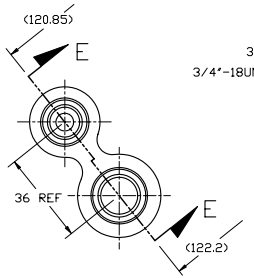


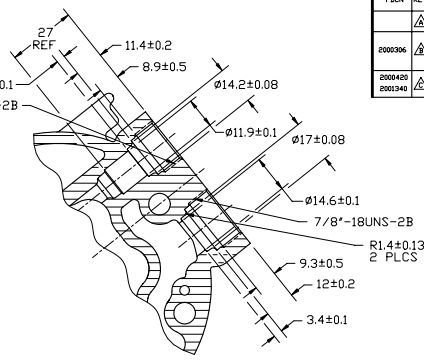
16 15 14 13 12 11 10 9 8 7 6 5 4 3 2 1



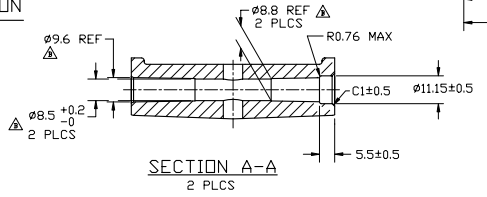
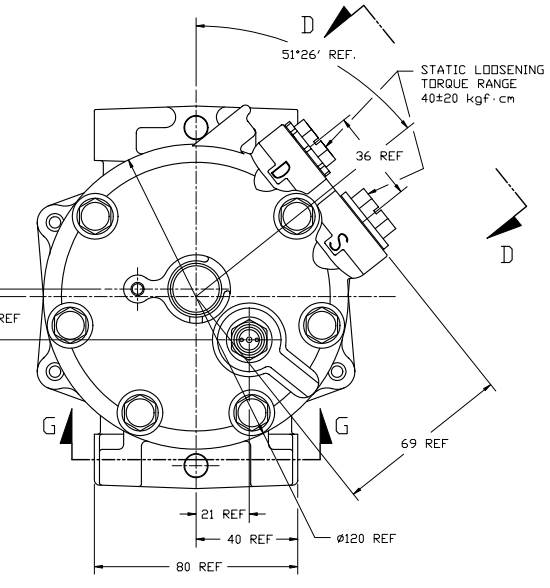
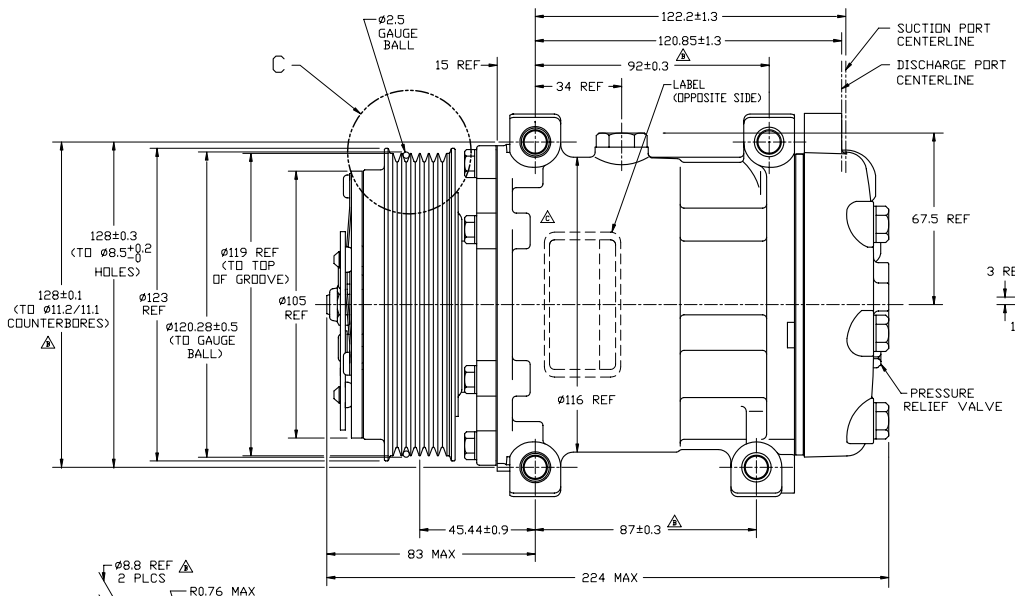
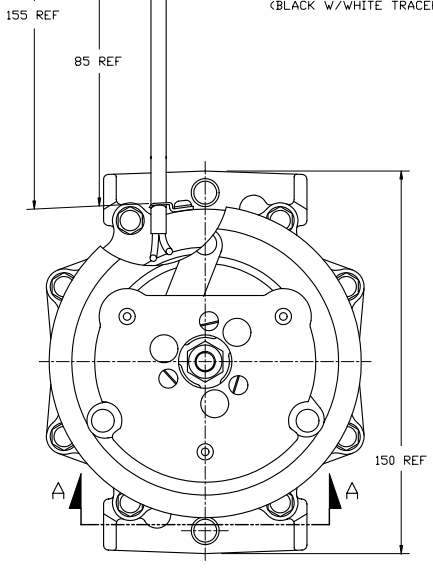
DETAIL C
 SCALE: 3:1



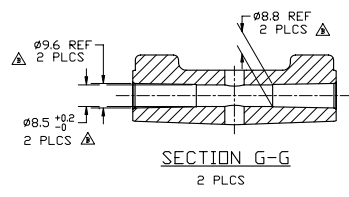
VIEW D-D
 (VIEW SHOWN WITH SEAL CAPS
 PLATE AND CONNECTOR REMOVED)



SECTION E-E



SECTION A-A
 2 PLCS



SECTION G-G
 2 PLCS

COMPRESSOR SPECIFICATIONS

DISPLACEMENT PER REVOLUTION	154.9 cc / rev. (9.5cuin. / rev.)
MAXIMUM ALLOWABLE R.P.M.	8000 R.P.M.
MAXIMUM ALLOWABLE CONTINUOUS R.P.M.	6000 R.P.M.
REFRIGERANT	R134a
DIL (SP-15)	240 cc (8.1 floz.)

CLUTCH SPECIFICATIONS

RATED VOLTAGE	DC 12V
BREAKAWAY TORQUE	3.5 kgf-m min. @ 12V
MINIMUM ENGAGEMENT VOLTAGE	7.5V max @ AIR GAP 0.6mm REF
POWER CONSUMPTION	49 watts max.
BELT TYPE	PV6 TYPE
MAXIMUM ALLOWABLE BELT TENSION	120 kgf
PULLEY DIAMETER	Ø119mm (4.68 in.) REF.
CLUTCH TYPE	HEAVY DUTY

PRN	REV	APPLY DATE	REVISIONS	BY	CHK	APPV
200006	1	6/28/00	INITIAL ISSUE (REF AC27)	JZ	JZ	JZ
200040	2	11-7-01	REVISED DIMENSIONING SECTION A-A, SECTION C-D, SECTION E-E (TO #11.2/11.1 COUNTERBORES) WAS 11.2/11.1 (REF AC27) HOLES	JZ	JZ	JZ
200040	3	11-7-01	RELOCATED LABEL DEL. SP-15 WAS SP-20	JZ	JZ	JZ

REL. FOR: 90° METRIC	<p>SANDEN INTERNATIONAL (U.S.A.), INC. SCALE REF 1:1 PLATED SCALE REF 90° METRIC</p> <p>This drawing and the information contained herein are CONFIDENTIAL and PROPRIETARY to Sanden International (U.S.A.), Inc. and shall not be used, copied, or disclosed to others without the written permission of Sanden International (U.S.A.), Inc.</p> <p>INTERPRETATION OF THIS DRAWING PER ASME Y14.5M-1994</p> <p>THIRD ANGLE PROJECTION</p> <p>MATERIAL:</p> <p>NAME: COMPRESSOR</p> <p>DWG. NO: 4848-6000</p> <p>REV: C</p>
APPRV: [Signature]	
DATE: 8/9/00	
BY: [Signature]	
REL. FOR: 90° METRIC	<p>DO NOT SCALE</p>
APPRV: [Signature]	
DATE: 8/9/00	
BY: [Signature]	
REL. FOR: 90° METRIC	<p>DO NOT SCALE</p>
APPRV: [Signature]	
DATE: 11/14/01	
BY: [Signature]	

16 15 14 13 12 11 10 9 8 7 6 5 4 3 2 1