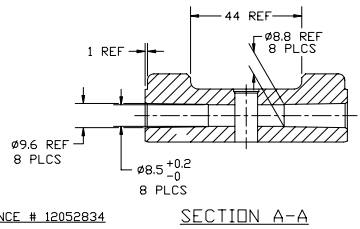


16 | 15 | 14 | 13 | 12 | 11 | 10 | 9 | 8 | 7 | 6 | 5 | 4 | 3 | 2 | 1

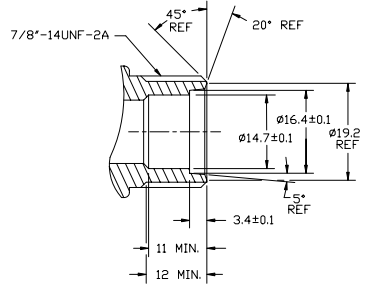
PCDN	REV	APPLY DATE	REVISIONS	DWN	ESGN	CHK	APPV
2001340	Δ	11/14/81	INITIAL RELEASE REFERENCE #22N				
			OIL (SP-15) WAS OIL (SP-80)	RLB	ZK	BRZ	MYJ



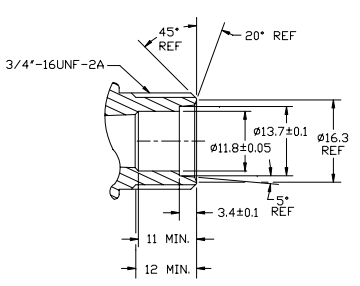
VIEW B-B



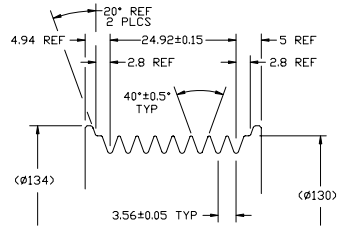
SECTION A-A



SECTION E-E

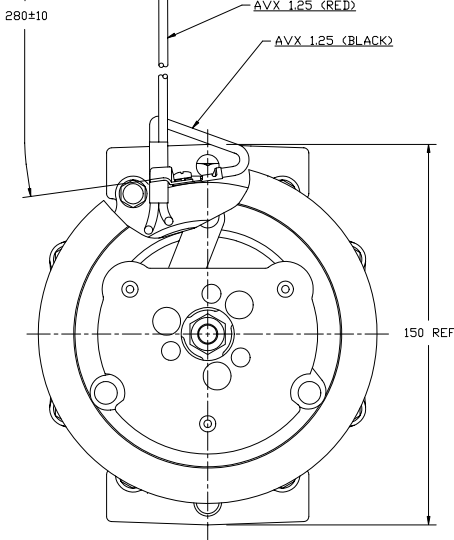
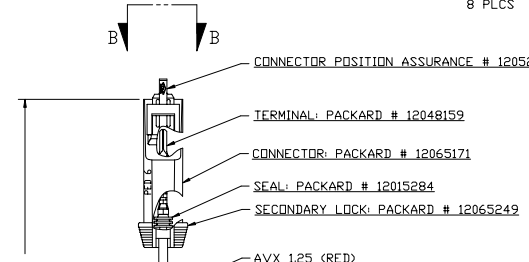


SECTION F-F

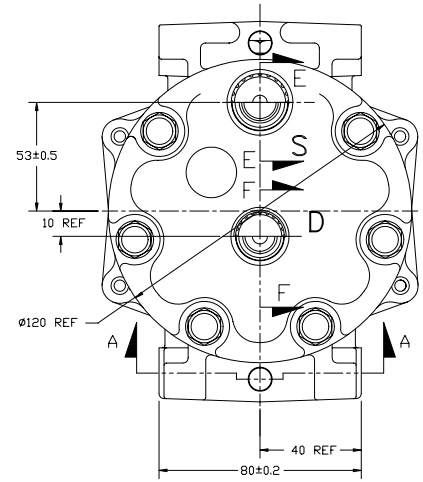
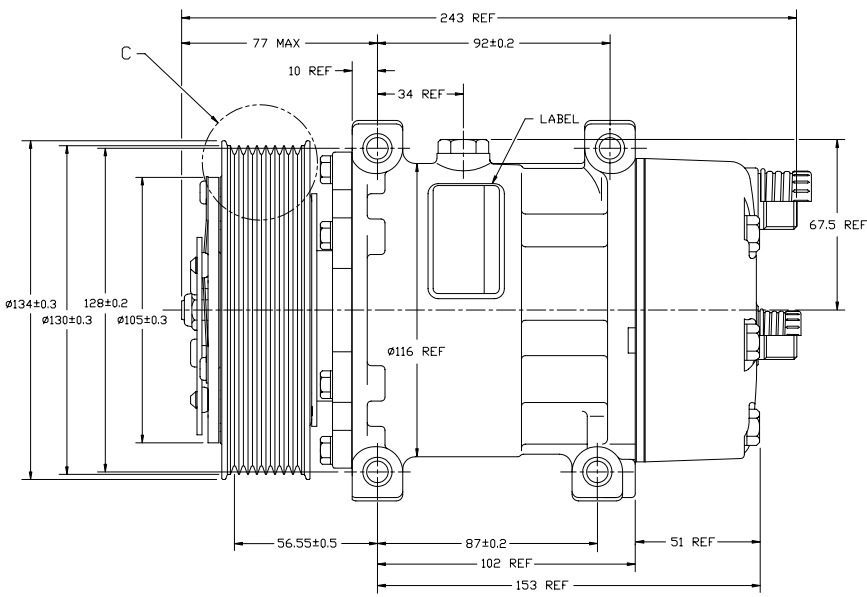


DETAIL C

SCALE: 2:1



CLOCKWISE ROTATION



COMPRESSOR SPECIFICATIONS

DISPLACEMENT PER REVOLUTION	154.9 cc / rev. ( 9.5cuin. / rev. )
MAXIMUM ALLOWABLE R.P.M.	8000 R.P.M.
MAXIMUM ALLOWABLE CONTINUOUS R.P.M.	6000 R.P.M.
REFRIGERANT	R134a
OIL ( SP-15 )	300 cc ( 10.1 fl.oz. )
WEIGHT	7.5 kgf ( 15.7 lb. )

CLUTCH SPECIFICATIONS

RATED VOLTAGE	DC 12V
BREAKAWAY TORQUE	3.5 kgf-m min. @ 12V
MINIMUM ENGAGEMENT VOLTAGE	7.5V MAX @ AIR GAP 0.6mm REF
POWER CONSUMPTION	49 watts max.
BELT TYPE	PVB
MAXIMUM ALLOWABLE BELT TENSION	120 kgf
PULLEY DIAMETER	Ø130mm ( 5.1 in. )
CLUTCH TYPE	HEAVY DUTY

REV. LEVEL	RELEASED FOR PRODUCTION	DATE	BY	APPV.	DATE	BY	APPV.
A	RELEASED FOR PRODUCTION	11/12/81	JLB	J. Callahan	11/12/81	JLB	J. Callahan
A	RELEASED FOR PRODUCTION	09/15/80	JLB	J. Callahan	09/15/80	JLB	J. Callahan
A	RELEASED FOR PRODUCTION	07/22/80	JLB	J. Callahan	07/22/80	JLB	J. Callahan
A	RELEASED FOR PRODUCTION	06/12/80	JLB	J. Callahan	06/12/80	JLB	J. Callahan

**SANDEN**  
SANDEN INTERNATIONAL (U.S.A.), INC.  
DRAWN BY JLB  
SCALE REF 1:1  
PLOTTED BY JLB  
SCALE REF 1:1  
METRIC

This drawing and the information contained herein are CONFIDENTIAL and PROPRIETARY to Sanden International (U.S.A.), Inc. and are loaned in CONFIDENCE and shall not be used, copied, or disclosed to others without the written permission of Sanden International (U.S.A.), Inc.

INTERPRETATION OF THIS DRAWING PER  
ANSI Y14.5M-1974

THIRD ANGLE PROJECTION  
☉ ↗

MATERIAL: \_\_\_\_\_

NAME: COMPRESSOR OUTLINE

DWG. NO.: 4823-6000

REV. B

DO NOT SCALE

16 | 15 | 14 | 13 | 12 | 11 | 10 | 9 | 8 | 7 | 6 | 5 | 4 | 3 | 2 | 1