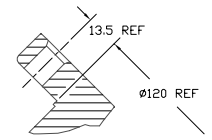
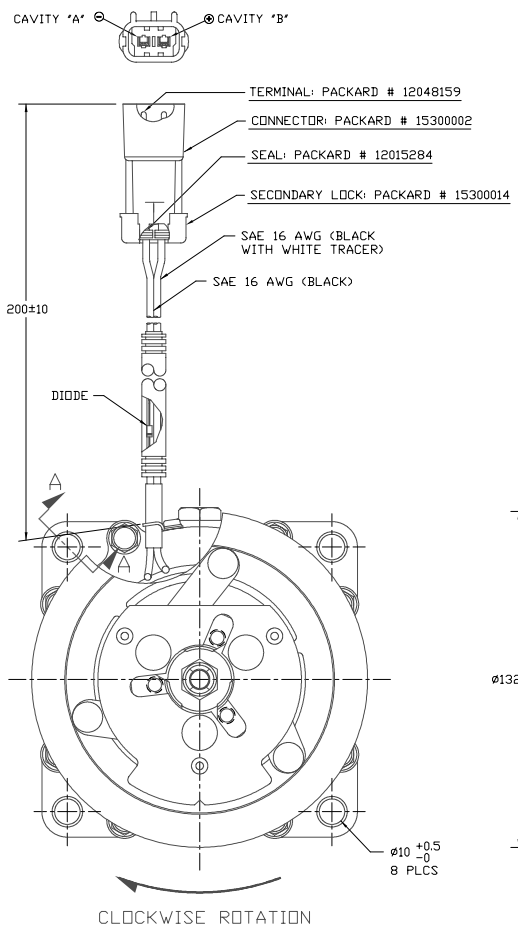
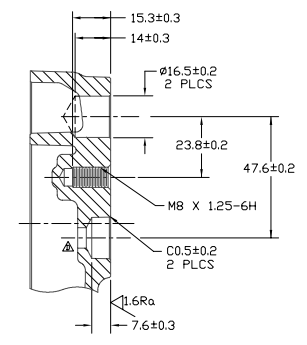
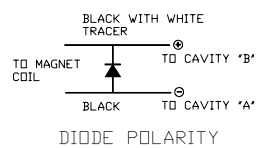


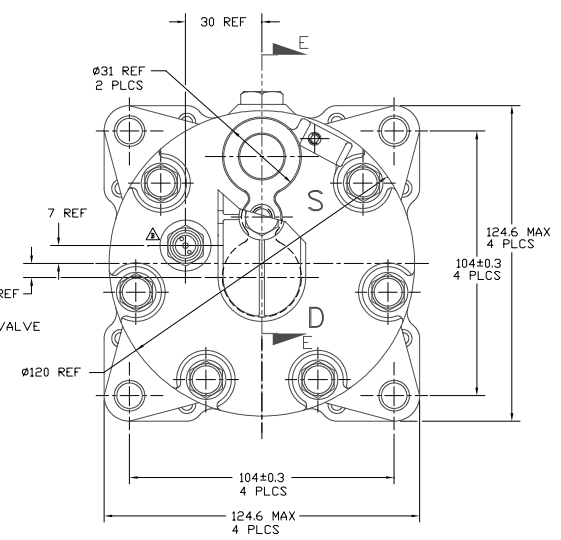
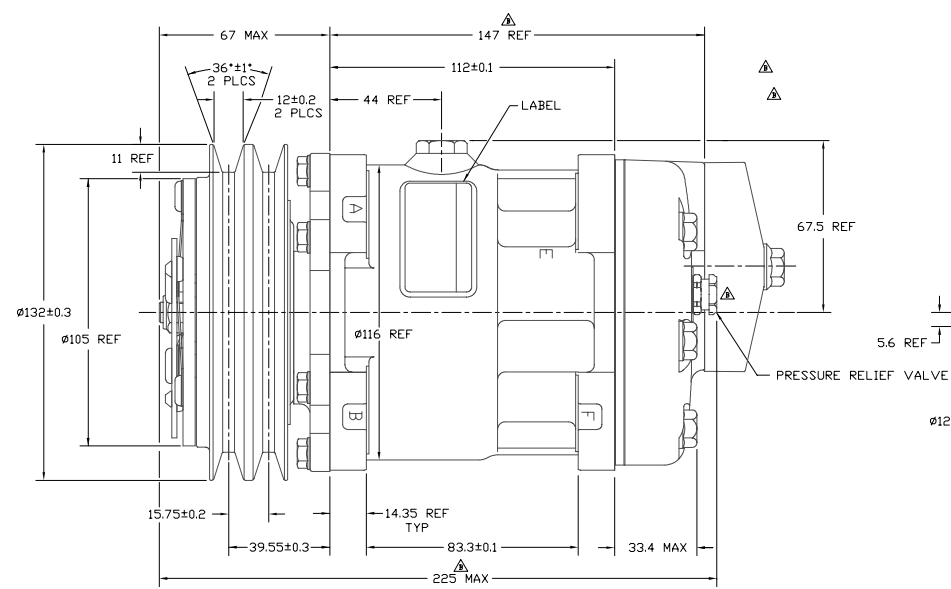
16 | 15 | 14 | 13 | 12 | 11 | 10 | 9 | 8 | 7 | 6 | 5 | 4 | 3 | 2 | 1



SECTION A-A
8 PLACES



SECTION E-E
(SECTION WITH SHIPPING PAD ASSEMBLY AND BOLT REMOVED)



PCSN	REV	APPV DATE	REVISIONS	EVN	DSGN	CHK	APPV
			INITIAL RELEASE REF. ADZN				
200004		10/30/00	REV. 4967-6470 WAS 4605-6470 REMOVED 2614 MAX. 22.9 MAX. 145.4 REF ADDED 147 REF, 225 MAX WAS 239 MAX	JS	JS	JS	JS
2001340		11/12/01	OIL (SP-15) WAS OIL (SP-20)	JS	JS	JS	JS
200229		3/3/06	UPDATED DISCHARGE ORIFICE DIAMETER	JS	JB	DRL	JW NB

COMPRESSOR SPECIFICATIONS (REF)

DISPLACEMENT PER REVOLUTION	154.9 cc / rev. (9.5cu.in. / rev.)
MAXIMUM ALLOWABLE R.P.M.	8000 R.P.M.
MAXIMUM ALLOWABLE CONTINUOUS R.P.M.	6000 R.P.M.
REFRIGERANT	R134a
OIL (SP-15)	300 cc (8.1 fl.oz.)
WEIGHT	TBD

CLUTCH SPECIFICATIONS (REF)

RATED VOLTAGE	DC 12V
BREAKAWAY TORQUE	35 kgf-m min. @ 12V
MINIMUM ENGAGEMENT VOLTAGE	7.5V @ air gap 0.6mm
POWER CONSUMPTION	49 watts max.
BELT TYPE	A TYPE
MAXIMUM ALLOWABLE BELT TENSION	60 kgf per belt
PULLEY DIAMETER	Ø132 mm (5.2 in.)
CLUTCH TYPE	HEAVY DUTY

REV. LEVEL	RELEASED FOR PRODUCTION VAL. 3.	DATE	12/08/00
REV. LEVEL	RELEASED FOR PRODUCTION VAL. 2.	DATE	2/21/00
REV. LEVEL	DESIGN VALIDATION	DATE	1/18/00
REV. LEVEL	FOR REVIEW	DATE	1/18/00
REV. LEVEL	FOR DEVELOPMENT	DATE	1/18/00

SANDEN
SANDEN INTERNATIONAL CORPORATION, INC.

SCALE REF 1:1 PLOTTED SCALE REF 1:1 METRIC

This drawing and the information contained herein are CONFIDENTIAL and PROPRIETARY to Sanden International (U.S.A.), Inc. and shall be used, copied, or disclosed to others without the written permission of Sanden International (U.S.A.), Inc.

INTERPRETATION OF THIS DRAWING PER ASME Y14.5M-1994

THIRD ANGLE PROJECTION

MATERIAL:

NAME: COMPRESSOR

DWG. NO: 4821-6000

REV: D

DO NOT SCALE

16 | 15 | 14 | 13 | 12 | 11 | 10 | 9 | 8 | 7 | 6 | 5 | 4 | 3 | 2 | 1