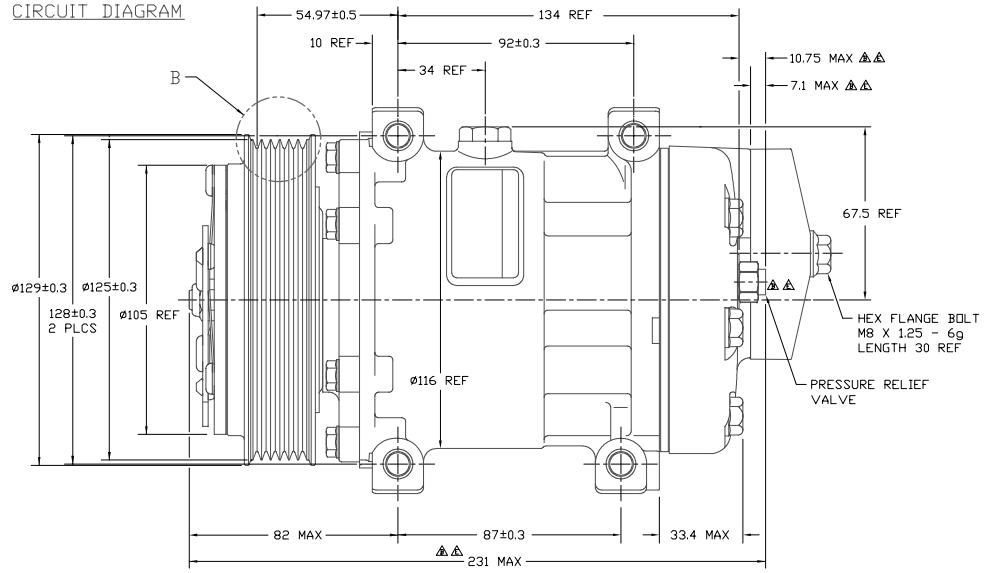


CIRCUIT DIAGRAM



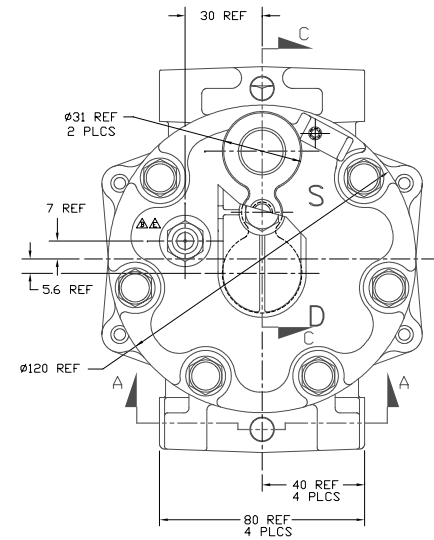
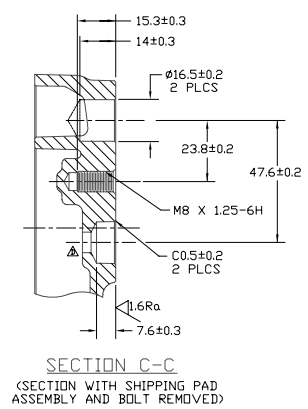
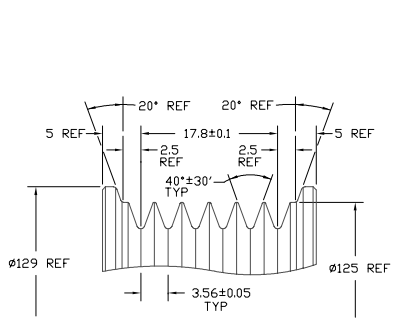
NOTE:  
1. REF. CATIA FILE 'SANDEN 4819-CATIA REV B COMPR ASSY A/C 00DW'  
DATED: 10/27/00

COMPRESSOR SPECIFICATIONS (REF)

DISPLACEMENT PER REVOLUTION	154.9 cc / rev. ( 9.5cuin. / rev. )
MAXIMUM ALLOWABLE R.P.M.	8000 R.P.M.
MAXIMUM ALLOWABLE CONTINUOUS R.P.M.	6000 R.P.M.
REFRIGERANT	R134a
DIL ( SP-15 )	300 cc ( 10.1 floz. )
WEIGHT	7.4 kgf ( 16.4 lb. )

CLUTCH SPECIFICATIONS (REF)

RATED VOLTAGE	DC 12V
BREAKAWAY TORQUE	3.5 kgf-m min. @ 12V
MINIMUM ENGAGEMENT VOLTAGE	7.5V @ AIR GAP 0.6mm
POWER CONSUMPTION	49 watts max.
BELT TYPE	PV6 TYPE
MAXIMUM ALLOWABLE BELT TENSION	90 kgf
PULLEY DIAMETER	Ø125 mm ( 4.9 in. )
CLUTCH TYPE	HEAVY DUTY



PCDN	REV.	APPV DATE	REVISIONS	DWN	DSGN	CHK	APPV
			INITIAL RELEASE REFERENCE AIDS				
2000018			REVISE GRAPHICS TO AGREE WITH BOM (244-6130 ARMATURE ASSY, WAS 1706-6000 ARMATURE ASSY)	DKC			
2000024		10/27/00	PRV 4967-6470 WAS 4625-6470 605 MAX WAS 809 MAX, 9.7 MAX WAS 85.74 MAX, 230 MAX WAS 244 MAX	JS	RF	NB	TS
2001340		11/12/01	OIL (SP-15) WAS OIL (SP-80)	RSR	LK	DRL	MY
2005009		3/3/06	UPDATED DISCHARGE ORIFICE DIAMETER	JS	JB	DRL	JW
2006310		12/11/06	PRV 4507-6470 WAS 4967-6470 200 MAX WAS 208 MAX, 10.75 MAX WAS 9.7 MAX, 7.1 MAX WAS 6.05 MAX	JS	JW	DRL	TK

RELEASED FOR PRODUCTION FROM 12/29/00	<p>SANDEN INTERNATIONAL (U.S.A.), INC.</p> <p>SCALE REF: 1:1 PLATTED IDEAL REF</p> <p>This drawing and the information contained herein are CONFIDENTIAL and PROPRIETARY to Sanden International (U.S.A.), Inc. and are released in CONFIDENCE and shall not be used, copied, or disclosed to others without the written permission of Sanden International (U.S.A.), Inc.</p> <p>INTERPRETATION OF THIS DRAWING PER ASME Y14.5M-1994</p> <p>THIRD ANGLE PROJECTION</p>	SIZE
A		D
RELEASED FOR PRODUCTION VAL'D 1/6/00	MATERIAL:	
A		
RELEASED FOR PRODUCTION VAL'D 1/6/00	NAME:	
A		
RELEASED FOR PRODUCTION VAL'D 1/6/00	COMPRESSOR	
B	DWG NO	4819-6000
DATE 12/08/00	REV	E

DO NOT SCALE