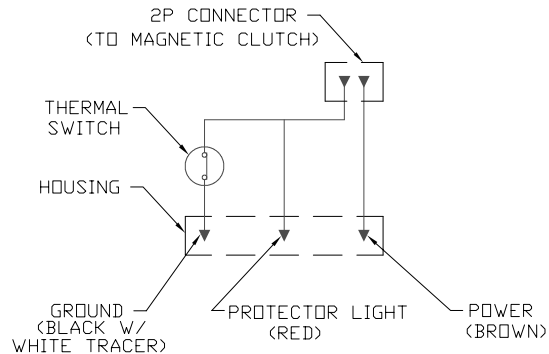
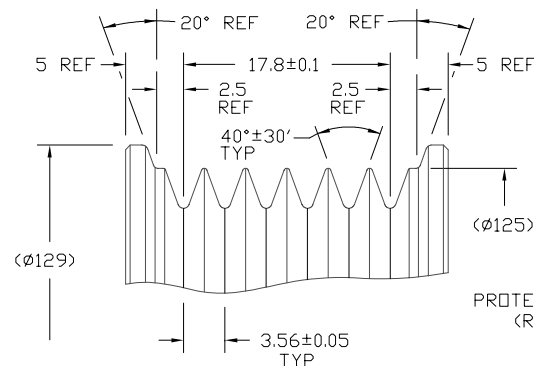


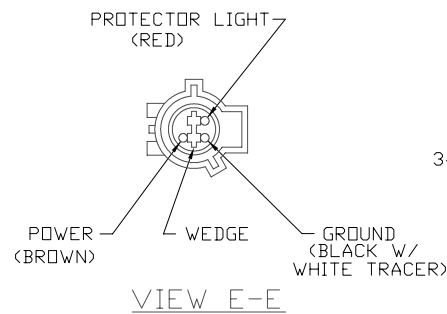
SECTION B-B
(THRU SUCTION AND DISCHARGE PORT CENTERLINES)



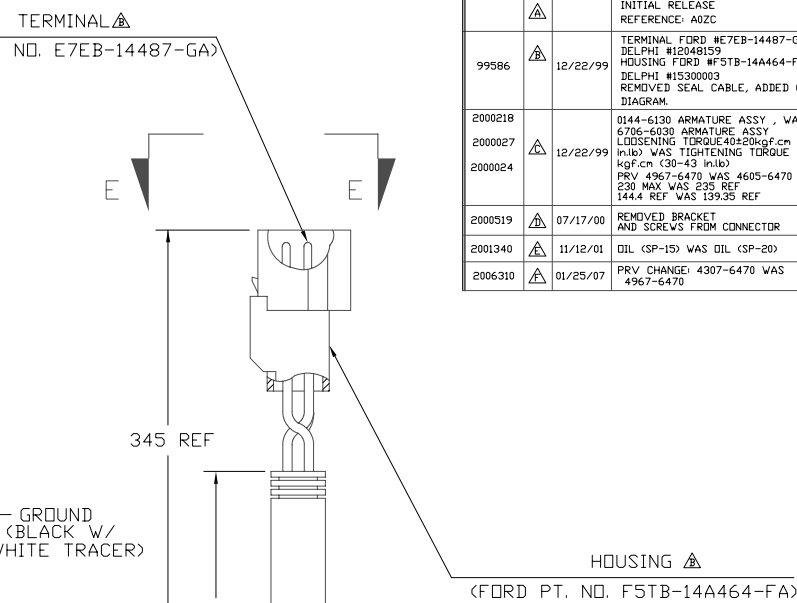
CIRCUIT DIAGRAM



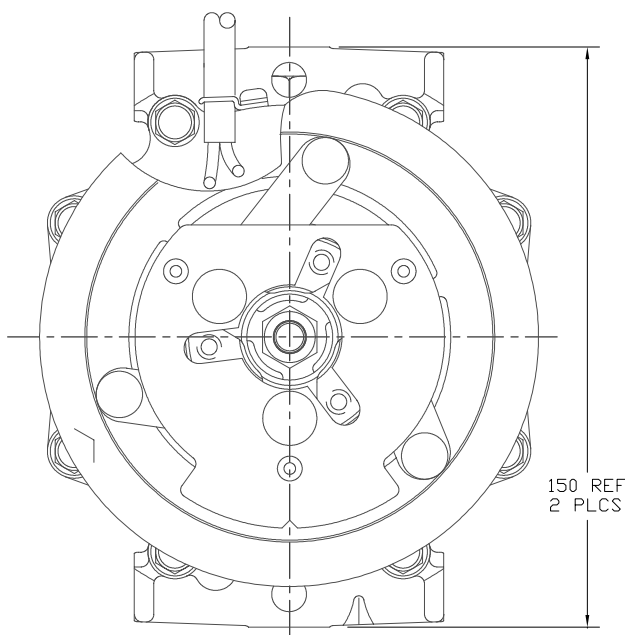
DETAIL C
SCALE: 3:1



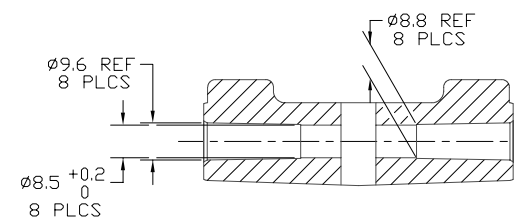
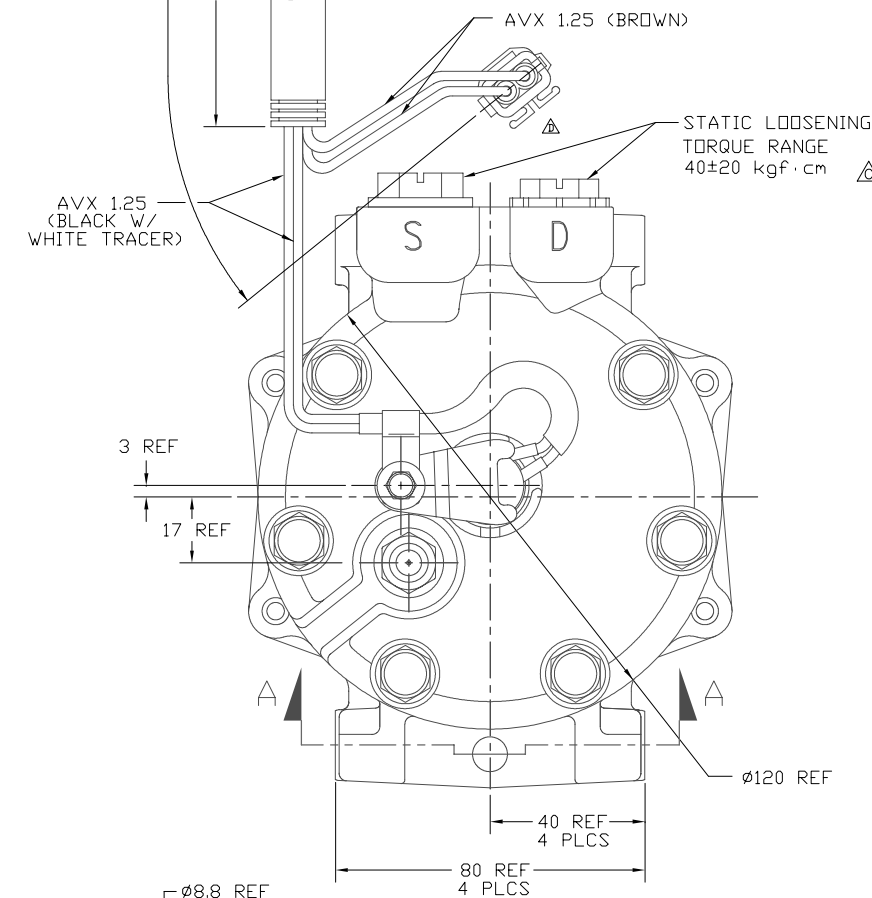
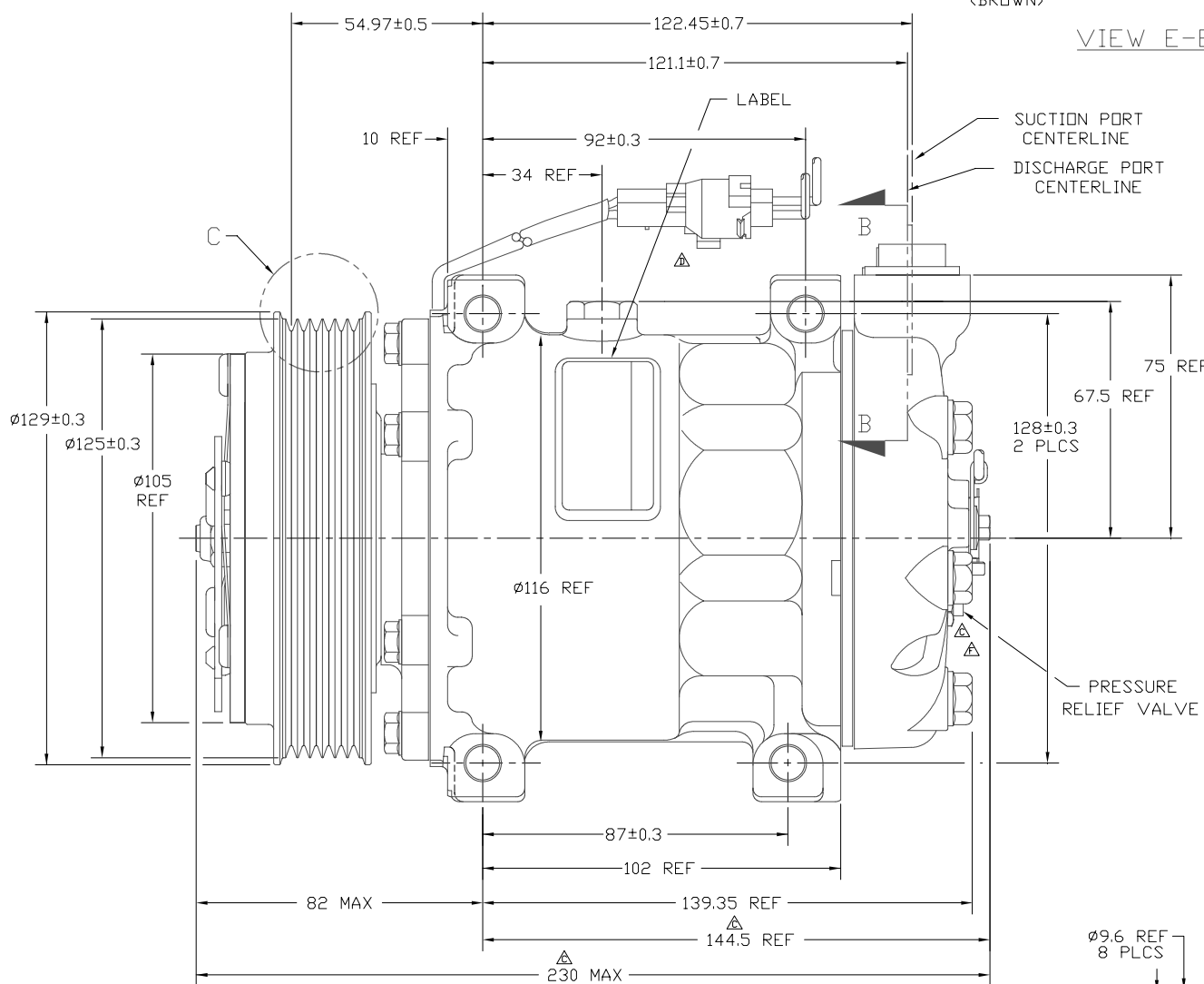
VIEW E-E



PDCN	REV.	APPV DATE	REVISIONS	DWN	DSGN	CHK	APPV
			INITIAL RELEASE REFERENCE: A02C				
99586		12/22/99	TERMINAL FORD #E7EB-14487-GA WAS DELPHI #12048159 HOUSING FORD #F5TB-14A464-FA WAS DELPHI #1530003 REMOVED SEAL CABLE, ADDED CIRCUIT DIAGRAM	JS	DS	DRL	JC
2000218			0144-6130 ARMATURE ASSY. WAS 6706-6030 ARMATURE ASSY. LOOSENING TORQUE 40±20kgf.cm (35±17.5 in.lb) WAS TIGHTENING TORQUE 35-50 kgf.cm (30-43 in.lb)	DKC	LM	DRL	DS
2000027		12/22/99	PRV 4967-6470 WAS 4605-6470				
2000024			230 MAX WAS 235 REF 1444 REF WAS 139.35 REF				
2000519		07/17/00	REMOVED BRACKET AND SCREWS FROM CONNECTOR	DKC	LM	DRL	DS
2001340		11/12/01	OIL (SP-15) WAS OIL (SP-20)	RSR	LK	DRL	MY
2006310		01/25/07	PRV CHANGE: 4307-6470 WAS 4967-6470	RSR	JW	DRL	RM



CLOCKWISE ROTATION



SECTION A-A

NOTES:

- THIS PRODUCT MEETS THE REQUIREMENTS OF SANDEN ENGINEERING SPECIFICATION SES-CC-214.

COMPRESSOR SPECIFICATIONS (REF)

DISPLACEMENT PER REVOLUTION	154.9 cc / rev. (9.5cu.in. / rev.)
MAXIMUM ALLOWABLE R.P.M.	8000 R.P.M.
MAXIMUM ALLOWABLE CONTINUOUS R.P.M.	6000 R.P.M.
REFRIGERANT	R134a
OIL (SP-15)	300 cc (10.1 fl.oz.)
WEIGHT	7.4 kgf (16.4 lb.)

CLUTCH SPECIFICATIONS (REF)

RATED VOLTAGE	DC 12V
BREAKAWAY TORQUE	3.5 kgf·m min. @ 12V
MINIMUM ENGAGEMENT VOLTAGE	7.5V @ AIR GAP 0.6mm
POWER CONSUMPTION	49 watts max.
BELT TYPE	PV6 TYPE
MAXIMUM ALLOWABLE BELT TENSION	90 kgf
PULLEY DIAMETER	Ø125mm (4.9 in.)
CLUTCH TYPE	HEAVY DUTY

REV. LEVEL	RELEASED FOR:	DESIGN	DATE	SCALE	PLOTTED SCALE	REF	NON METRIC
A	RELEASED FOR: ENGG. DEVELOPMENT	T Seow	12/8/99	1:1			
B	RELEASED FOR: DESIGN VALIDATION	R. Feisthamel	2/24/00				
B	RELEASED FOR: PRODUCTION VAL'D.	R. Feisthamel	2/24/00				
B	RELEASED FOR: PRODUCTION	J. Calhoun	3/21/00				

SANDEN

SANDEN INTERNATIONAL (U.S.A.), INC.

DRAWN SCALE REF 1:1 PLOTTED SCALE REF NONE METRIC

This drawing and the information contained hereon are CONFIDENTIAL and PROPRIETARY to Sanden International (U.S.A.), Inc., are received in CONFIDENCE and shall not be used, copied, or disclosed to others without the written permission of Sanden International (U.S.A.), Inc.

INTERPRETATION OF THIS DRAWING PER ASME Y14.5M-1994

THIRD ANGLE PROJECTION

SIZE D

MATERIAL:

NAME

COMPRESSOR

DWG. NO.

4810-6000

REV. F

DO NOT SCALE