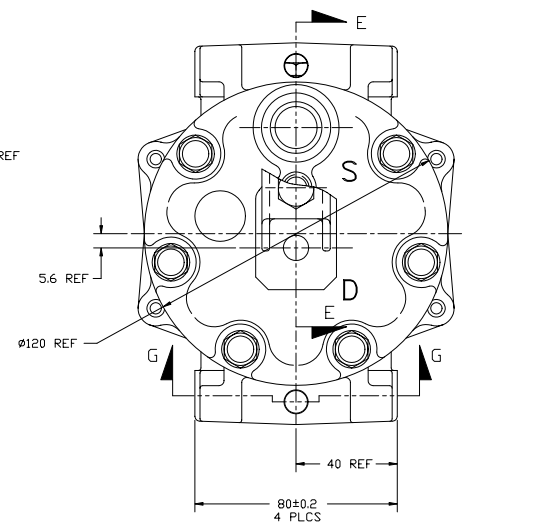
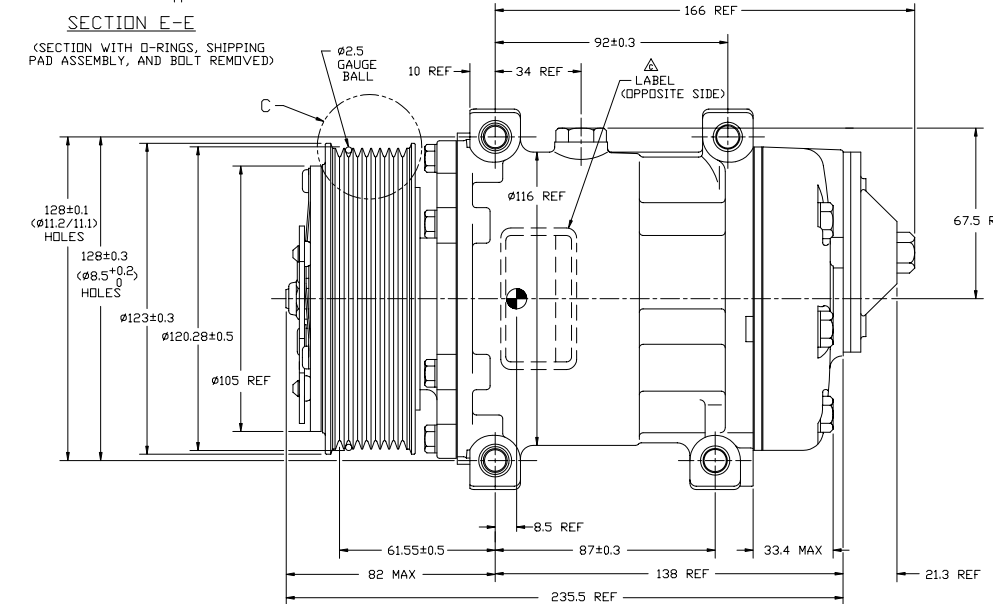
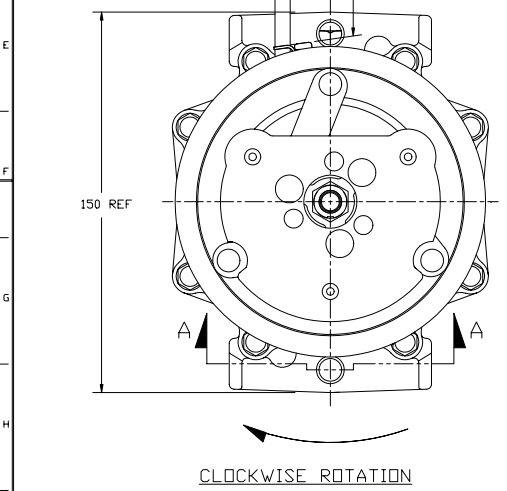
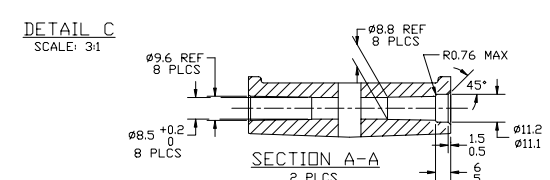
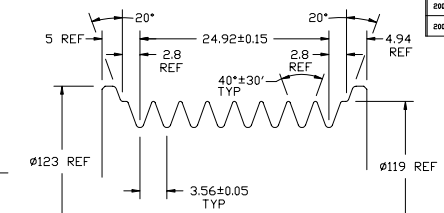
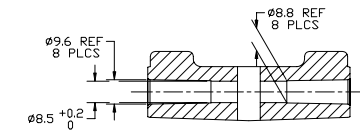
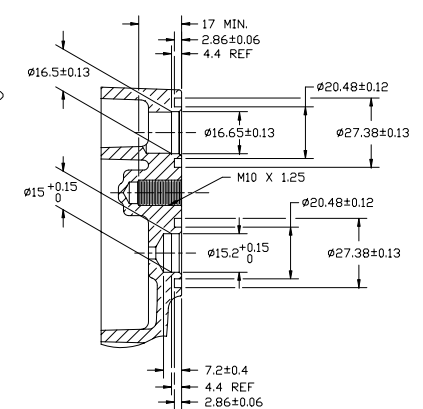
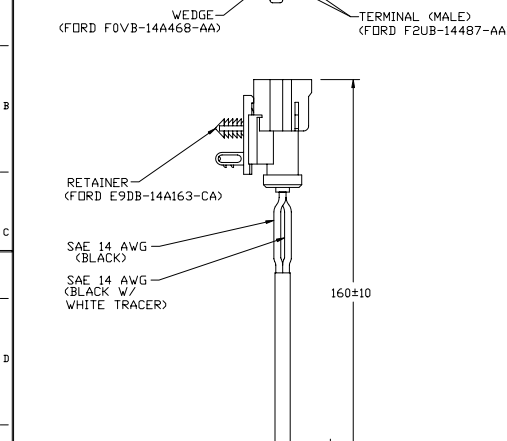


16 | 15 | 14 | 13 | 12 | 11 | 10 | 9 | 8 | 7 | 6 | 5 | 4 | 3 | 2 | 1

PCDN	REV.	APPLY DATE	REVISIONS	DVN	ESGN	CHK	APPV
	Δ		INITIAL RELEASE				
000140		11/14/01	DIL SP-15 WAS SP-20	JA	ZM	BRJ	MTJ
000400	Δ		CHANGED LABEL LOCATION	JA			



COMPRESSOR SPECIFICATIONS

DISPLACEMENT PER REVOLUTION	154.9 cc / rev. ( 9.5cuin. / rev. )
MAXIMUM ALLOWABLE R.P.M.	8000 R.P.M.
MAXIMUM ALLOWABLE CONTINUOUS R.P.M.	6000 R.P.M.
REFRIGERANT	R134a
DIL ( SP-15 )	300 cc (10.1 floz.)
CUSTOMER PART NUMBER	XC3H-19D629-CA

CLUTCH SPECIFICATIONS

RATED VOLTAGE	DC 12V
BREAKAWAY TORQUE	3.5 kgf-m min. @ 12V
MINIMUM ENGAGEMENT VOLTAGE	7.5V max @ AIR GAP 0.6mm REF
POWER CONSUMPTION	49 watts max.
BELT TYPE	PV8 TYPE
MAXIMUM ALLOWABLE BELT TENSION	120 kgf
PULLEY DIAMETER	Ø119 mm (4.7 in.)
CLUTCH TYPE	HEAVY DUTY

NOTE:  
1. THIS PRODUCT MEETS THE REQUIREMENTS OF SANDEN ENGINEERING SPECIFICATION SES-CC-214.

REV. LEVEL	RELEASED FOR PRODUCTION	DATE	12/7/98	BY	J. S. Sandoz
DESIGN VALIDATION	DATE	12/7/98	BY	J. S. Sandoz	
RELEASED FOR PRODUCTION	DATE	12/7/98	BY	J. S. Sandoz	
RELEASED FOR PRODUCTION	DATE	12/7/98	BY	J. S. Sandoz	
RELEASED FOR PRODUCTION	DATE	12/7/98	BY	J. S. Sandoz	
RELEASED FOR PRODUCTION	DATE	12/7/98	BY	J. S. Sandoz	

**SANDEN**  
SANDEN INTERNATIONAL (U.S.A.), INC.  
DRAWN BY: J. S. Sandoz  
SCALE REF: 1:1  
PLATE REF: 90° METRIC

This drawing and the information contained herein are CONFIDENTIAL and PROPRIETARY to Sanden International (U.S.A.), Inc. and are loaned in CONFIDENCE and shall not be used, copied, or disclosed to others without the written permission of Sanden International (U.S.A.), Inc.

INTERPRETATION OF THIS DRAWING PER  
ASME Y14.5M-1994

THIRD ANGLE PROJECTION

MATERIAL:

NAME: COMPRESSOR

DWG. NO.: 4766-6000

REV. C

DO NOT SCALE

16 | 15 | 14 | 13 | 12 | 11 | 10 | 9 | 8 | 7 | 6 | 5 | 4 | 3 | 2 | 1