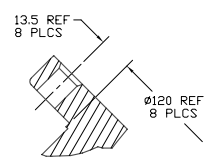
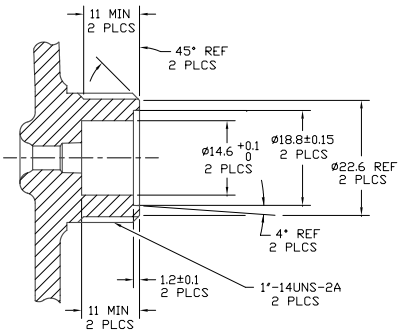


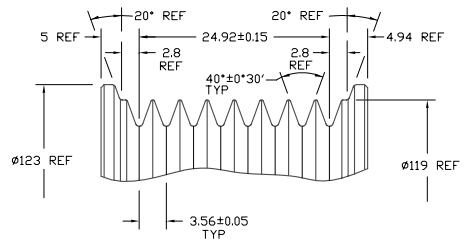
PCDN	REV	APPV DATE	REVISIONS	DRN	DSGN	CHK	APPV
	Δ		INITIAL RELEASE REF DRAWING ASIF-6000 REV 1				
200340	Δ	11/29/01	OIL (SP-15) WAS OIL (SP-20) UPDATED BORDER	DKC	LK	DRL	MY
2002237	Δ	04/04/03	CHANGED TO KEYED ODA	RSR	HF	DRL	RG
2006032	Δ	3/20/06	CHANGED FIELD OIL ASSY FROM 6716-6040 TO 6775-6040	RSR	HF	DRL	YN



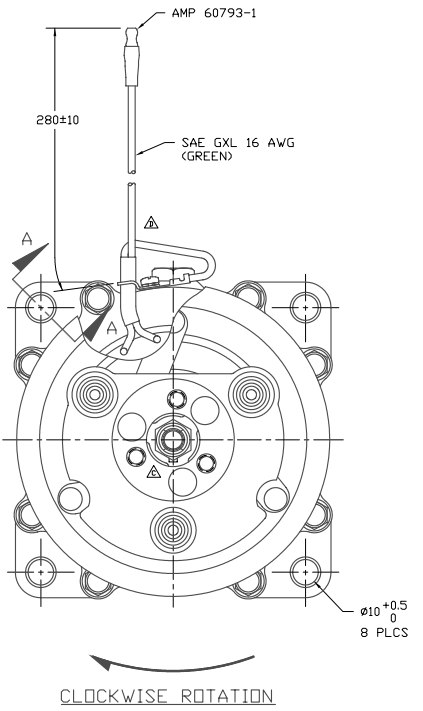
SECTION A-A



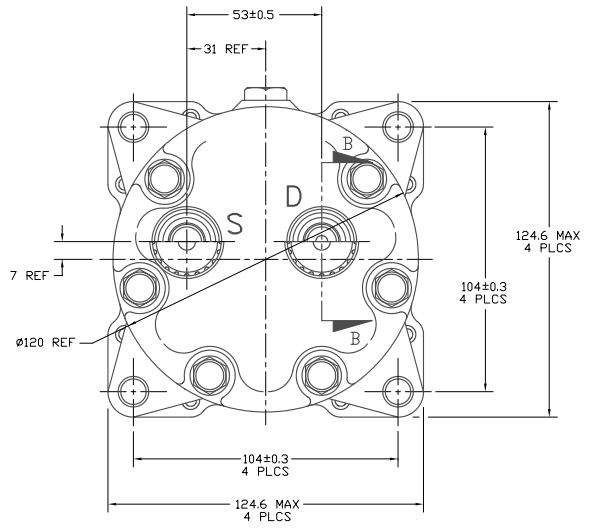
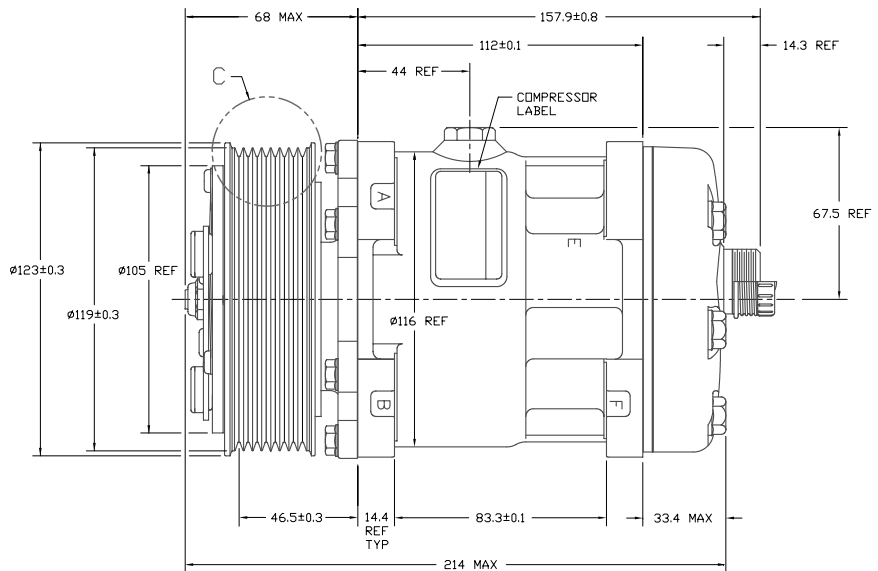
SECTION B-B
SCALE 2:1
(SECTION SHOWN WITH SEAL CAP REMOVED)



DETAIL C
SCALE 3:1



CLOCKWISE ROTATION



COMPRESSOR SPECIFICATIONS (REF)

DISPLACEMENT PER REVOLUTION	154.9 cc / rev. (9.5cuin. / rev.)
MAXIMUM ALLOWABLE R.P.M.	8000 R.P.M.
MAXIMUM ALLOWABLE CONTINUOUS R.P.M.	6000 R.P.M.
REFRIGERANT	R134a
OIL (SP-15)	175 cc (6.4 fl.oz.)

CLUTCH SPECIFICATIONS (REF)

RATED VOLTAGE	DC 24V
BREAKAWAY TORQUE	3.5 kgf-m min. @ 24V
MINIMUM ENGAGEMENT VOLTAGE	15V @ AIR GAP 0.6mm REF.
POWER CONSUMPTION	42 watts max.
BELT TYPE	PVB
MAXIMUM ALLOWABLE BELT TENSION	120 kgf
PULLEY DIAMETER	Ø119 mm (4.69 in.)
CLUTCH TYPE	HEAVY DUTY

DO NOT SCALE

REV. LEVEL	DESCRIPTION	DRN	DATE	SCALE	PLOTTED SCALE	REF	UNIT
A	RELEASED FOR PRODUCTION	D. Soala	8/7/98	1:1	1:1		METRIC
A	RELEASED FOR PRODUCTION	J. Sokolowski	8/7/98	1:1	1:1		METRIC
A	RELEASED FOR PRODUCTION	Dennis Law	8/10/98	1:1	1:1		METRIC
A	RELEASED FOR PRODUCTION	DMariale, T.Solo	8/10/98	1:1	1:1		METRIC
A	RELEASED FOR PRODUCTION	D. Soala	8/7/98	1:1	1:1		METRIC
A	RELEASED FOR PRODUCTION	DMariale, T.Solo	8/7/98	1:1	1:1		METRIC
A	RELEASED FOR PRODUCTION	D. Soala	8/10/98	1:1	1:1		METRIC
A	RELEASED FOR PRODUCTION	DMariale, T.Solo	8/7/98	1:1	1:1		METRIC
A	RELEASED FOR PRODUCTION	D. Soala	8/7/98	1:1	1:1		METRIC
A	RELEASED FOR PRODUCTION	DMariale, T.Solo	8/10/98	1:1	1:1		METRIC

SANDEN INTERNATIONAL (U.S.A.), INC.
 SANDEN INTERNATIONAL (U.S.A.), INC.
 This drawing and the information contained hereon are CONFIDENTIAL and PROPRIETARY to Sanden International (U.S.A.), Inc. and shall not be used, copied, or disclosed to others without the written permission of Sanden International (U.S.A.), Inc.

INTERPRETATION OF THIS DRAWING PER ASME Y14.5M-1994
 THIRD ANGLE PROJECTION
 φ ← ← ← D

NAME: SD7H15MD4764 COMPRESSOR
 DWG. NO.: 4764-6000
 REV. D