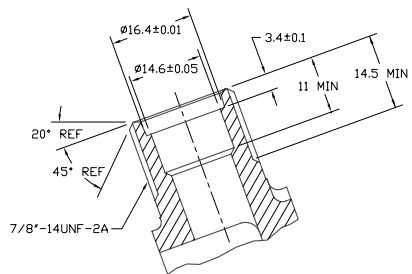
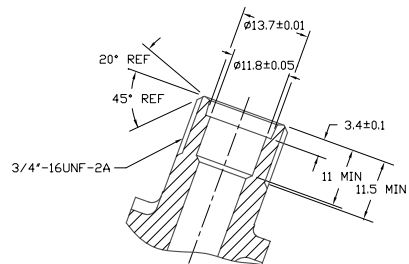


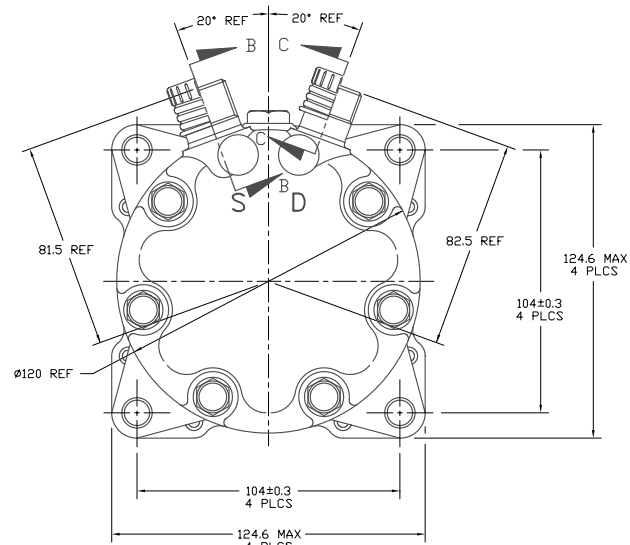
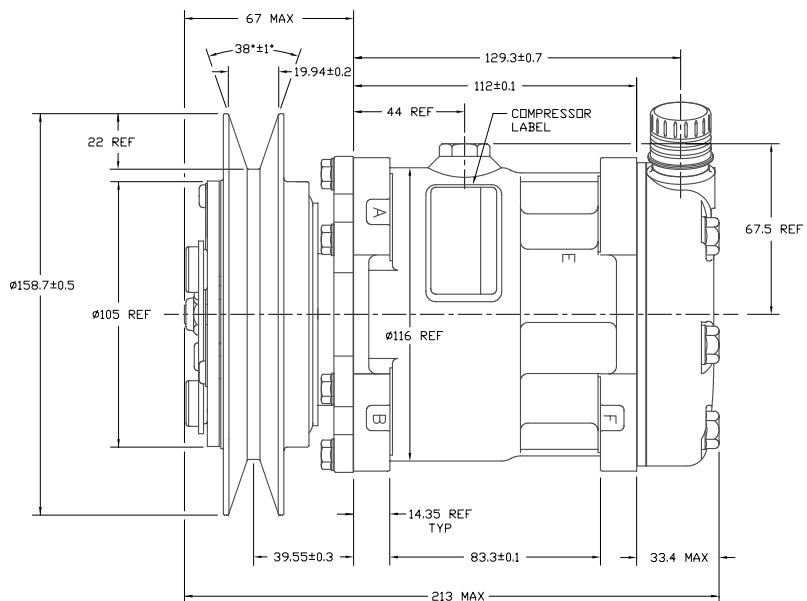
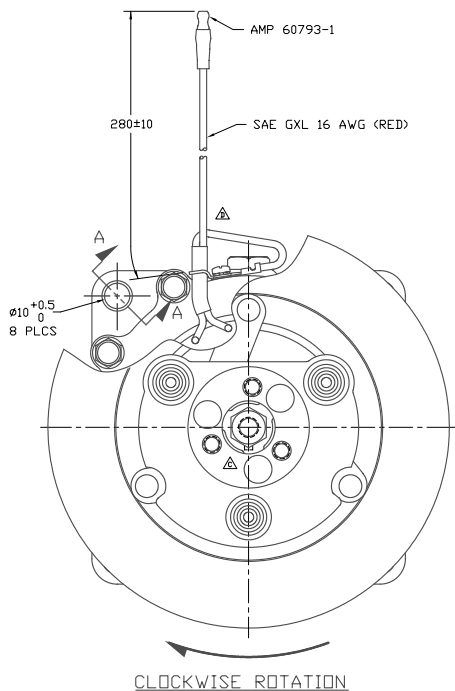
SECTION A-A



SECTION B-B
SCALE: 2:1
(SECTION SHOWN WITH SEAL CAP REMOVED)



SECTION C-C
SCALE: 2:1
(SECTION SHOWN WITH SEAL CAP REMOVED)



COMPRESSOR SPECIFICATIONS (REF)

DISPLACEMENT PER REVOLUTION	154.9 cc / rev. (9.5cu.in. / rev.)
MAXIMUM ALLOWABLE R.P.M.	6000 R.P.M.
MAXIMUM ALLOWABLE CONTINUOUS R.P.M.	4000 R.P.M.
REFRIGERANT	R134a
△ OIL (SP-15)	175 cc (5.9 floz.)

CLUTCH SPECIFICATIONS (REF)

RATED VOLTAGE	DC 12V
BREAKAWAY TORQUE	3.5 kgf-m min. @ 12V
MINIMUM ENGAGEMENT VOLTAGE	7.5V @ AIR GAP 0.6mm
POWER CONSUMPTION	49 watts max.
BELT TYPE	C TYPE
MAXIMUM ALLOWABLE BELT TENSION	60 kgf per belt
PULLEY DIAMETER	Ø158.75mm (6.25 in.)
CLUTCH TYPE	HEAVY DUTY

PDCN	REV	APPV	DATE	REVISIONS	DWN	DSGN	CHK	APPV
				INITIAL RELEASE				
				REF. DRAWING ATSY-6000 REV. 1				
2002340			11/19/03	DIL. (SP-15) WAS DIL. (SP-20)			DKC	LK DRL MY
				UPDATED BORDER				
2002237			04/04/03	CHANGED TO KEYED RDA			RSR	HF KS DRL RG
2000232			3/20/06	CHANGED FRIED DIL. ASSY FROM 0144-5240 TO 6724-6140			RSR	HF DRL YN

REV. LEVEL	RELEASED FOR PRODUCTION	DATE	7/30/98	DSGN	D. Seale
APPV	J. Sokolowski	DATE	7/30/98	CHK	Dennis Lee
SCALE	1:1	PLIETTE SCALE REF	1:1	METRIC	
<p>SANDEN SANDEN INTERNATIONAL (U.S.A.) INC.</p> <p>This drawing and the information contained herein are CONFIDENTIAL and PROPRIETARY to Sanden International (U.S.A.), Inc., and are released in CONFIDENCE and shall not be used, copied, or disclosed to others without the written permission of Sanden International (U.S.A.), Inc.</p> <p>INTERPRETATION OF THIS DRAWING PER ASME Y14.3M-1994</p> <p>THIRD ANGLE PROJECTION</p> <p>MATERIAL:</p> <p>NAME: SD7H15JD4746</p> <p>COMPRESSOR</p> <p>DWG. NO. 4746-6000</p>					
REV. LEVEL	RELEASED FOR PRODUCTION	DATE	7/30/98	DSGN	D. Seale
APPV	J. Sokolowski	DATE	7/30/98	CHK	Dennis Lee
SCALE	1:1	PLIETTE SCALE REF	1:1	METRIC	
REV. LEVEL	RELEASED FOR PRODUCTION	DATE	7/30/98	DSGN	D. Seale
APPV	J. Sokolowski	DATE	7/30/98	CHK	Dennis Lee
SCALE	1:1	PLIETTE SCALE REF	1:1	METRIC	

DO NOT SCALE