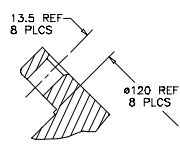
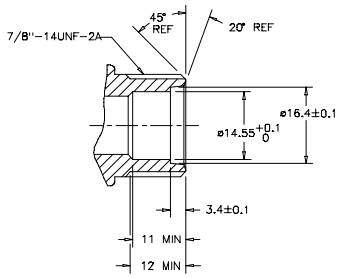


16 | 15 | 14 | 13 | 12 | 11 | 10 | 9 | 8 | 7 | 6 | 5 | 4 | 3 | 2 | 1

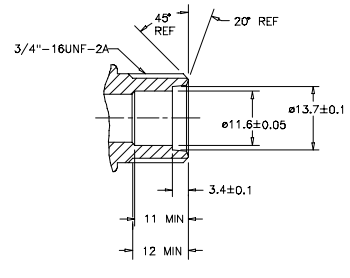
REV.	APPV. DATE	DESCRIPTION	DESIGN	DRW.	CHK.	APPV.
0001	11/18/91	INITIAL ISSUE	DKC	LK	DRL	MY
0002	04/04/93	DL (67-13) AND DL (SP-15) UPDATED BORDER	PSR	HF	DRL	RG
0003	3/20/98	CHANGED FIELD COIL AMP FROM 6714-0001 TO 6714-0004	PSR	HF	DRL	YN



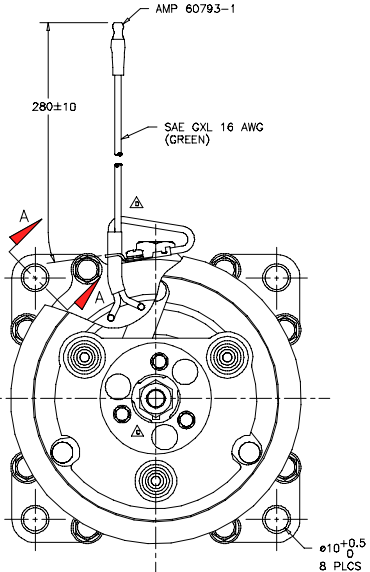
SECTION A-A



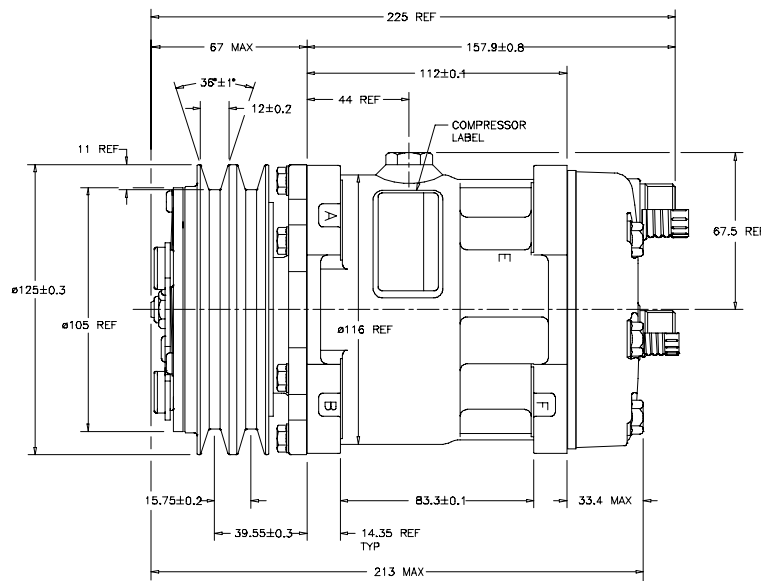
SECTION E-E  
SCALE: 2:1  
(SECTION SHOWN WITH SEAL CAP REMOVED)



SECTION F-F  
SCALE: 2:1  
(SECTION SHOWN WITH SEAL CAP REMOVED)

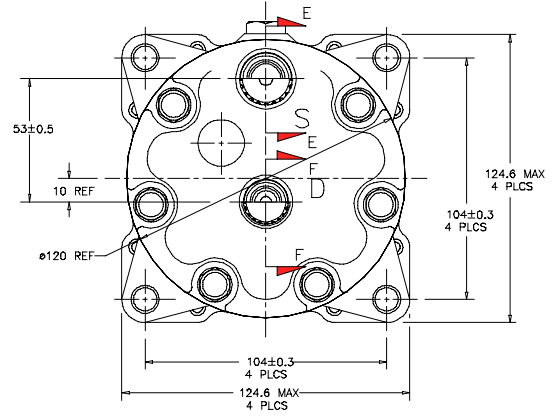


CLOCKWISE ROTATION



CLUTCH SPECIFICATIONS (REF)

RATED VOLTAGE	DC 24V
BREAKAWAY TORQUE	3.5 kgf-m min. @ 24V
MINIMUM ENGAGEMENT VOLTAGE	16V @ AIR GAP 0.6mm
POWER CONSUMPTION	42 watts max.
BELT TYPE	A TYPE
MAXIMUM ALLOWABLE BELT TENSION	60 kgf PER BELT
PULLEY DIAMETER	ø125mm ( 4.9 in. )
CLUTCH TYPE	HEAVY DUTY



COMPRESSOR SPECIFICATIONS (REF)

DISPLACEMENT PER REVOLUTION	154.9 cc / rev. ( 9.5 cu.in. / rev. )
MAXIMUM ALLOWABLE R.P.M.	8000 R.P.M.
MAXIMUM ALLOWABLE CONTINUOUS R.P.M.	6000 R.P.M.
REFRIGERANT	R134a
OIL ( SP-15 )	175 cc ( 6.4 fl.oz. )
WEIGHT	7.5 kg ( 16.6 lb. )

REV. APPV. DATE 0001 11/18/91 0002 04/04/93 0003 3/20/98	DESCRIPTION INITIAL ISSUE DL (67-13) AND DL (SP-15) UPDATED BORDER CHANGED FIELD COIL AMP FROM 6714-0001 TO 6714-0004
DESIGNED BY: J. Wong DRAWN BY: Dennis Lee APPV. DATE: 6/18/98 CHECKED BY: E. Marfakis DATE: 6/18/98	TITLE: SD7H15KG4742 COMPRESSOR SCALE: 1:1 METRIC THIRD ANGLE PROJECTION MATERIAL:
DWG. NO. 4742-6000 REV. D	NAME: SD7H15KG4742 COMPRESSOR

DO NOT SCALE

16 | 15 | 14 | 13 | 12 | 11 | 10 | 9 | 8 | 7 | 6 | 5 | 4 | 3 | 2 | 1