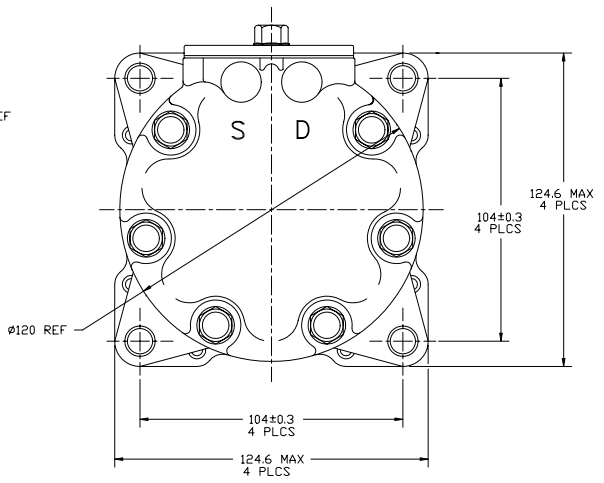
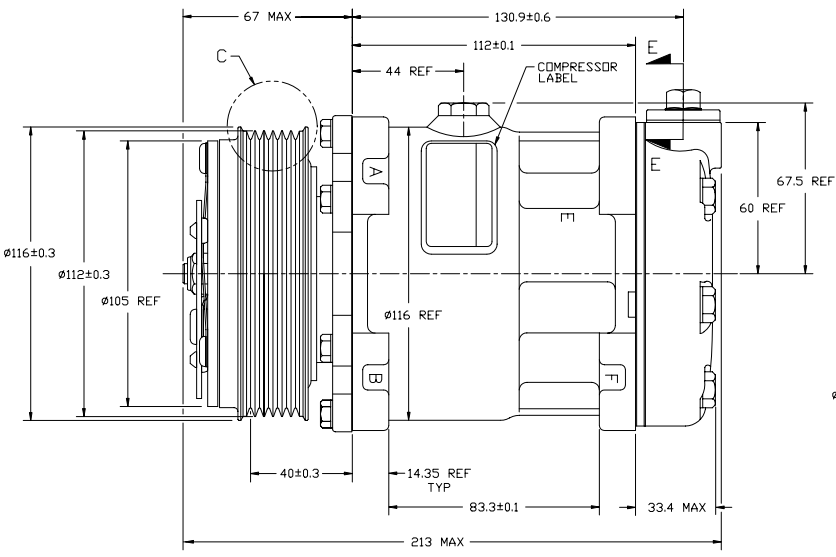
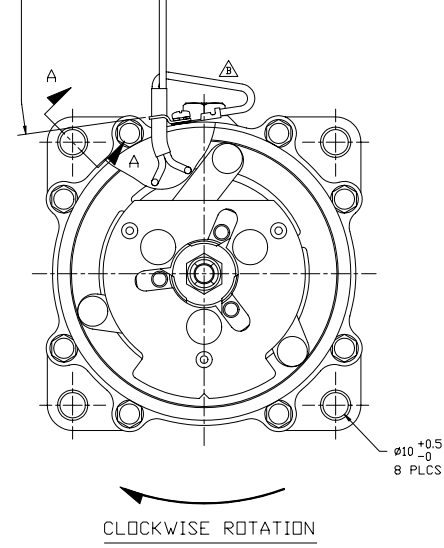
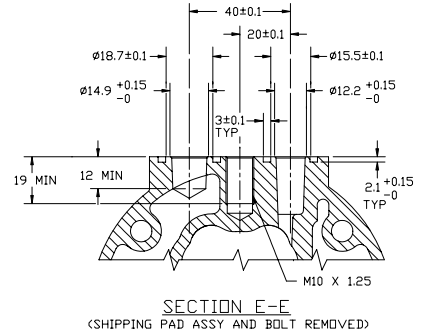
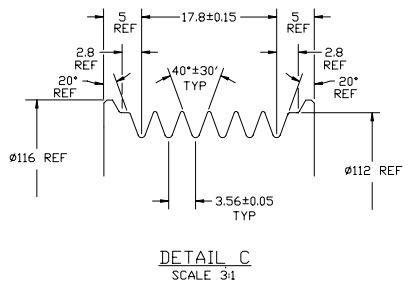
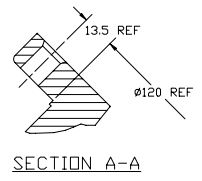
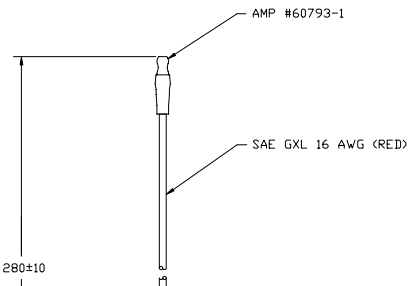


PBDC NO.	REV.	DATE	REVISIONS	DWN	ESGN	CHK	APPV
538	△	10/17/96	INITIAL ISSUE CHANGED TO HARD ND. WAS M06-000	RH	DD	DRL	EMA TS
19981	△	5/28/99	CHANGED FIELD COIL ASSY FROM MONOPOLE TO DIPOLE	JS	LM	DRL	DD
200340 19907	△	11/29/01	COIL CSP-15 WAS OIL (CSP-20) UPDATE BORDER	DKC	JK	SKZ	JM



COMPRESSOR SPECIFICATIONS

DISPLACEMENT PER REVOLUTION	154.9 cc / rev. (9.5cuin. / rev.)
MAXIMUM ALLOWABLE R.P.M.	8000 R.P.M.
MAXIMUM ALLOWABLE CONTINUOUS R.P.M.	6000 R.P.M.
REFRIGERANT	R134a
OIL (SP-15)	135 cc (4.6 floz.)
WEIGHT	7.2 kg (16 lb.)

CLUTCH SPECIFICATIONS

RATED VOLTAGE	DC 12V
BREAKAWAY TORQUE	3.5 kgf-m min. @ 12V
MINIMUM ENGAGEMENT VOLTAGE	7.5V @ AIR GAP 0.6mm REF
POWER CONSUMPTION	49 watts max.
BELT TYPE	PV6 TYPE
MAXIMUM ALLOWABLE BELT TENSION	90 kgf
PULLEY DIAMETER	Ø112 mm (4.41 in.)
CLUTCH TYPE	STANDARD

REV. LEVEL	RELEASED FOR PRODUCTION	 SANDEN INTERNATIONAL (U.S.A.), INC.	DRWN	SCALE REF	1:1	PLTTER	SCALE REF	1:1	METRIC
A	APV. <i>ALL</i>		CHK	SCALE REF	1:1	DATE	2/12/96		
RELEASED FOR DESIGN VALIDATION	APV. <i>ALL</i>	This drawing and the information contained herein are CONFIDENTIAL and PROPRIETARY to Sanden International (U.S.A.), Inc. and are loaned in CONFIDENCE and shall not be used, copied, or disclosed to others without the written permission of Sanden International (U.S.A.), Inc.							
RELEASED FOR PRODUCTION	APV. <i>ALL</i>	INTERPRETATION OF THIS DRAWING PER ASME Y14.5M-1994 THIRD ANGLE PROJECTION 							
RELEASED FOR PRODUCTION	APV. <i>ALL</i>	MATERIAL							
RELEASED FOR PRODUCTION	APV. <i>ALL</i>	NAME							
RELEASED FOR PRODUCTION	APV. <i>ALL</i>	SD7H15UK4719 COMPRESSOR							
RELEASED FOR PRODUCTION	APV. <i>ALL</i>	DWG. NO.							
RELEASED FOR PRODUCTION	APV. <i>ALL</i>	4719-6000							
RELEASED FOR PRODUCTION	APV. <i>ALL</i>	REV. C							

DO NOT SCALE