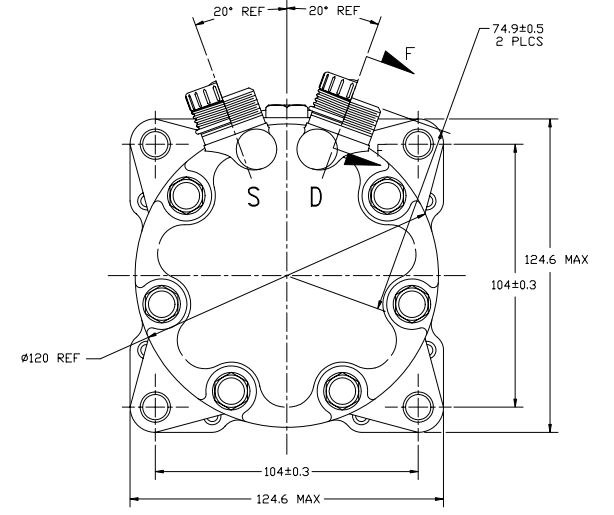
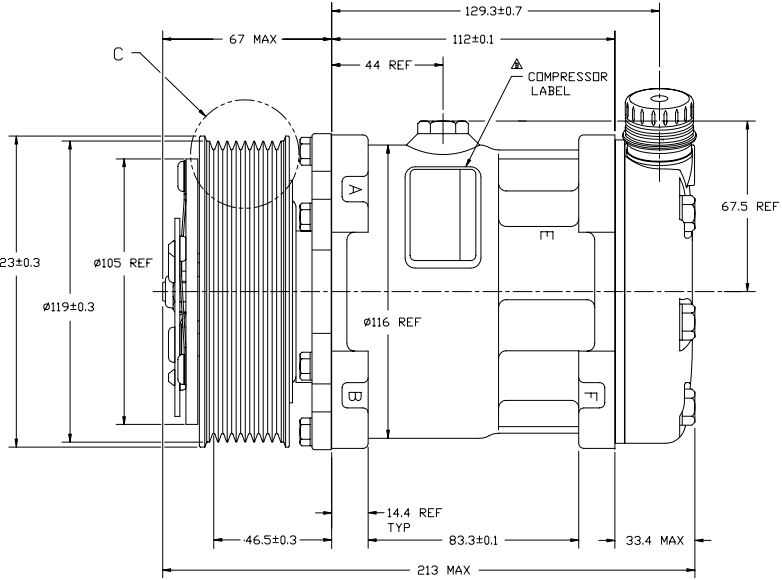
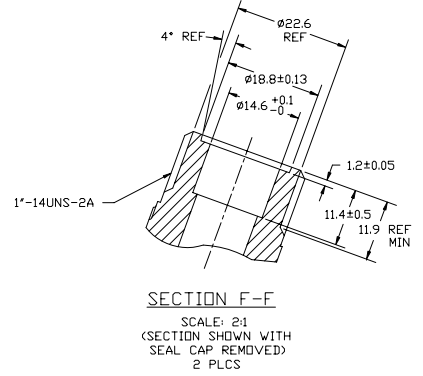
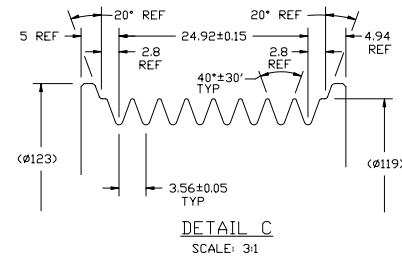
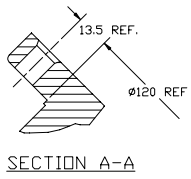
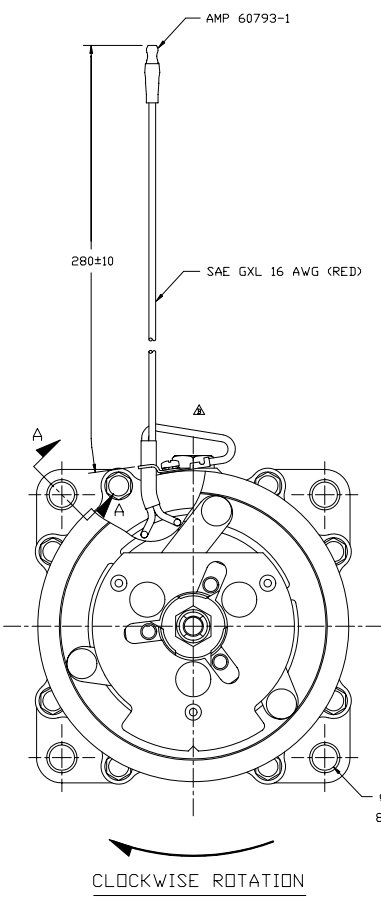


PCDN	REV	APPV DATE	REVISIONS	DWN	ESGN	CHK	APPV
			INITIAL ISSUE				
99190	1	5/3/99	CHANGE FROM HORNPILE TO SPIKE FIELD COIL. ADDED COMPRESSOR LABEL.	JW	ZK	SK	SK
0801340	2	11/1/98	OIL SP-15 WAS SP-09	JW	ZK	SK	SK



COMPRESSOR SPECIFICATIONS

DISPLACEMENT PER REVOLUTION	154.9 cc / rev. (9.5cuin. / rev.)
MAXIMUM ALLOWABLE R.P.M.	8000 R.P.M.
MAXIMUM ALLOWABLE CONTINUOUS R.P.M.	6000 R.P.M.
REFRIGERANT	R134a
OIL (SP-15)	135 cc (4.6 floz.)
WEIGHT	7.2 kg. (15.9 lb)

CLUTCH SPECIFICATIONS

RATED VOLTAGE	DC 12V
BREAKAWAY TORQUE	3.5 kgf-m min. @ 12V
MINIMUM ENGAGEMENT VOLTAGE	7.5V @ AIR GAP 0.6mm REF.
POWER CONSUMPTION	49 watts max.
BELT TYPE	PV8
MAXIMUM ALLOWABLE BELT TENSION	120 kgf
PULLEY DIAMETER	Ø119 mm (4.69 in.)
CLUTCH TYPE	STANDARD

REV. LEVEL	RELEASED FOR: DESIGN DEVELOPMENT	<p>SANDEN INTERNATIONAL (U.S.A.), INC.</p>	<p>DRAWN BY: <i>S. Sacks</i></p> <p>SCALE REF: 1:1</p> <p>PLOTTED BY: <i>S. Sacks</i></p> <p>SCALE REF: 1:1</p> <p>METRIC</p>
CHK	APPROVED: <i>S. Sacks</i>		
APPV	RELEASED FOR: DESIGN VALIDATION	<p>THIS DRAWING AND THE INFORMATION CONTAINED HEREON ARE CONFIDENTIAL AND PROPRIETARY TO SANDEN INTERNATIONAL (U.S.A.), INC. AND NOT TO BE REPRODUCED, COPIED, OR DISCLOSED TO OTHERS WITHOUT THE WRITTEN PERMISSION OF SANDEN INTERNATIONAL (U.S.A.), INC.</p> <p>INTERPRETATION OF THIS DRAWING PER ASME Y14.5M-1994</p>	<p>THIRD ANGLE PROJECTION</p> <p>SIZE: D</p>
REV. LEVEL	RELEASED FOR: PRODUCTION VAL. S.		
APPV	RELEASED FOR: PRODUCTION	<p>MATERIAL:</p> <p>NAME: COMPRESSOR</p>	<p>REV. C</p>
APPV	RELEASED FOR: PRODUCTION		
APPV	RELEASED FOR: PRODUCTION	<p>DWG. NO.: 4710-6000</p>	<p>REV. C</p>
APPV	RELEASED FOR: PRODUCTION		

DO NOT SCALE