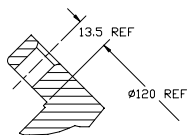
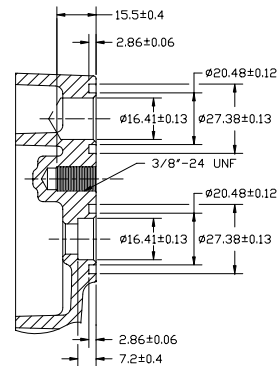


16 | 15 | 14 | 13 | 12 | 11 | 10 | 9 | 8 | 7 | 6 | 5 | 4 | 3 | 2 | 1

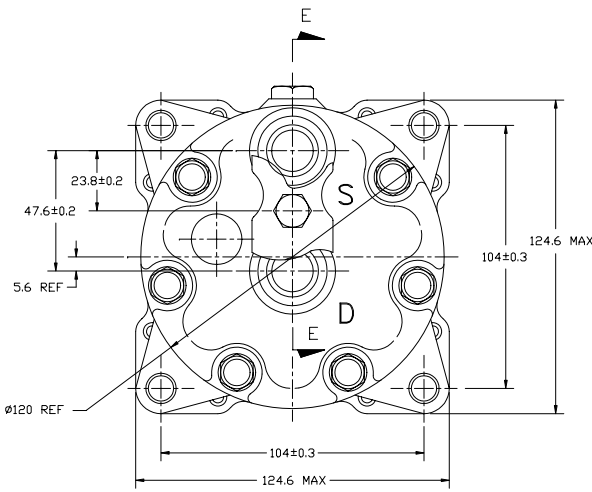
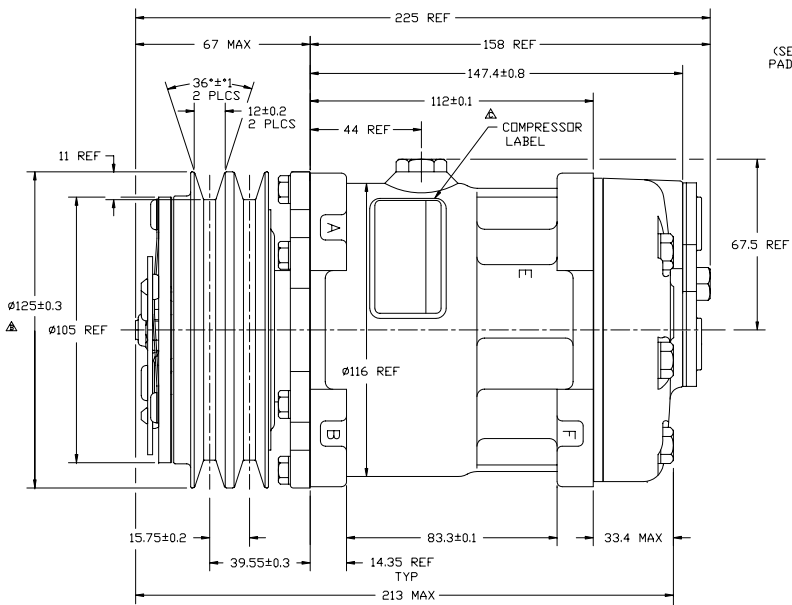
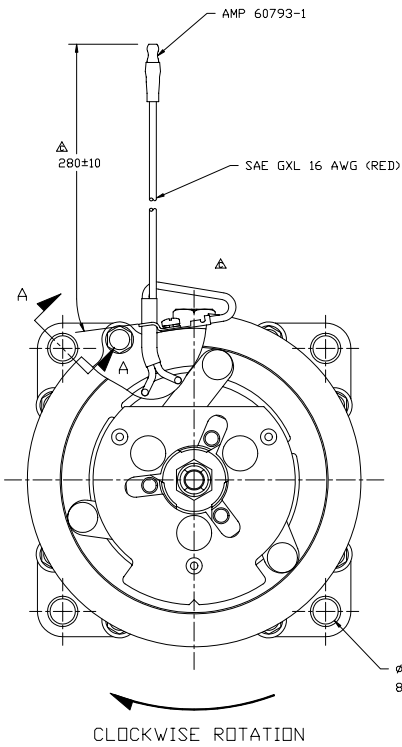
PCDN	REV.	APPLY DATE	REVISIONS	DWN	ESGN	CHK	APPV
	1		INITIAL ISSUE				
96339	2	01/16/97	CHANGED ROTOR DIAMETER (PREVIOUS WAS 18.53)	JG	JP	JR	RLA
91980	3	05/03/99	CHANGED FROM MONOPILE TO DIPLOLE FIELD COIL	JW	ZH	JR	RLA
	4		ADDED COMPRESSOR LABEL				
9907	5	11/06/00	UPDATED TO CURRENT TITLE BLOCK DIL (SP-15) WAS DIL (SP-20)	JR	ZK	JR	RLA



SECTION A-A



SECTION E-E
(SECTION WITH O-RINGS, SHIPPING PAD ASSEMBLY, AND BOLT REMOVED)



COMPRESSOR SPECIFICATIONS

DISPLACEMENT PER REVOLUTION	154.9 cc / rev. (9.5cuin. / rev.)
MAXIMUM ALLOWABLE R.P.M.	8000 R.P.M.
MAXIMUM ALLOWABLE CONTINUOUS R.P.M.	6000 R.P.M.
REFRIGERANT	R134a
DIL (SP-15)	135 cc (4.5 floz.)
WEIGHT	7.5 kg (16.6 lb.)

CLUTCH SPECIFICATIONS

RATED VOLTAGE	DC 12V
BREAKAWAY TORQUE	3.5 kgf-m min. @ 12V
MINIMUM ENGAGEMENT VOLTAGE	7.5V @ AIR GAP 0.6mm REF
POWER CONSUMPTION	49 watts max.
BELT TYPE	A TYPE
MAXIMUM ALLOWABLE BELT TENSION	60 kgf PER BELT
PULLEY DIAMETER	132mm (5.2 in.)
CLUTCH TYPE	HEAVY DUTY

DO NOT SCALE

REV. LEVEL	RELEASED FOR PRODUCTION	DATE	11/16/99	APPLY	2	Subds	4/NN
REV. LEVEL	RELEASED FOR DESIGN VALIDATION	DATE	10/16/98	APPLY	2	Subds	4/NN
REV. LEVEL	RELEASED FOR PRODUCTION	DATE	10/16/98	APPLY	2	Subds	4/NN
REV. LEVEL	RELEASED FOR PRODUCTION	DATE	10/16/98	APPLY	2	Subds	4/NN
REV. LEVEL	RELEASED FOR PRODUCTION	DATE	10/16/98	APPLY	2	Subds	4/NN
REV. LEVEL	RELEASED FOR PRODUCTION	DATE	10/16/98	APPLY	2	Subds	4/NN

SANDEN
SANDEN INTERNATIONAL (U.S.A.), INC.

DRAWN SCALE REF 1:1
PLOTTED SCALE REF 1:1
METRIC

This drawing and the information contained herein are CONFIDENTIAL and PROPRIETARY to Sanden International (U.S.A.), Inc. and are released in CONFIDENCE and shall not be used, copied, or disclosed to others without the written permission of Sanden International (U.S.A.), Inc.

INTERPRETATION OF THIS DRAWING PER
ASME Y14.5M-1994

THIRD ANGLE PROJECTION
☉ ↗ ↘

MATERIAL: -

NAME: COMPRESSOR

ENG. NO. 4708-6000

REV. D

16 | 15 | 14 | 13 | 12 | 11 | 10 | 9 | 8 | 7 | 6 | 5 | 4 | 3 | 2 | 1