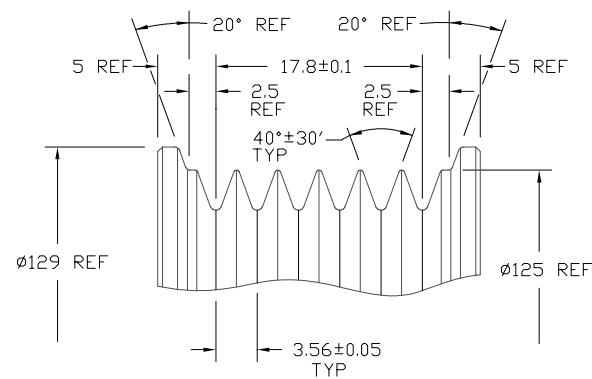
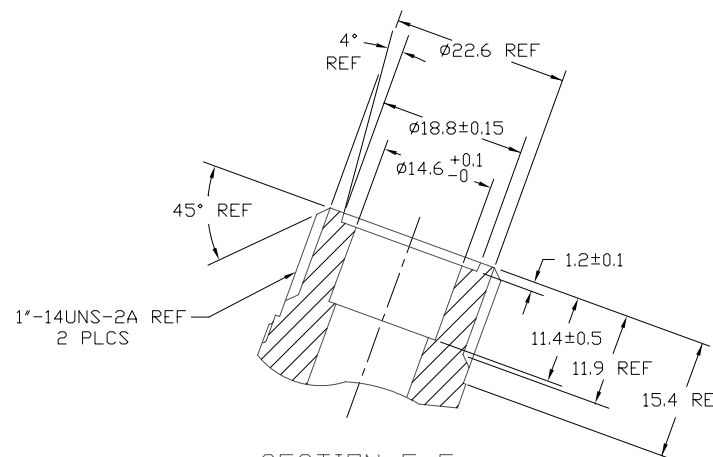


SECTION A-A

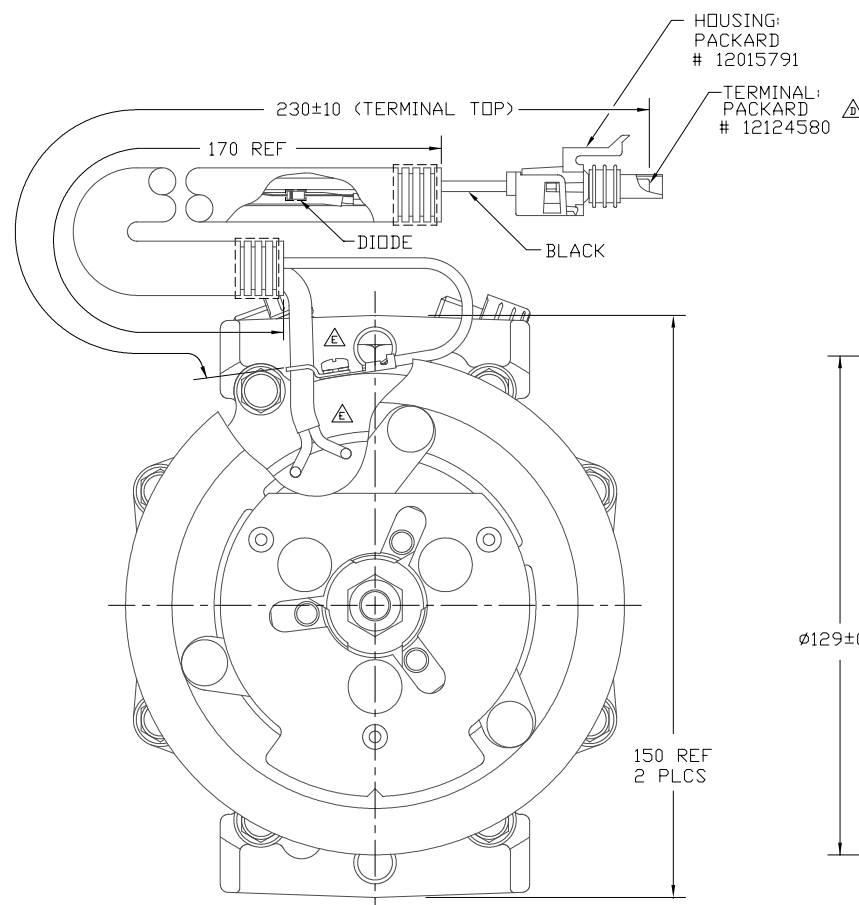


DETAIL B
SCALE: 3:1

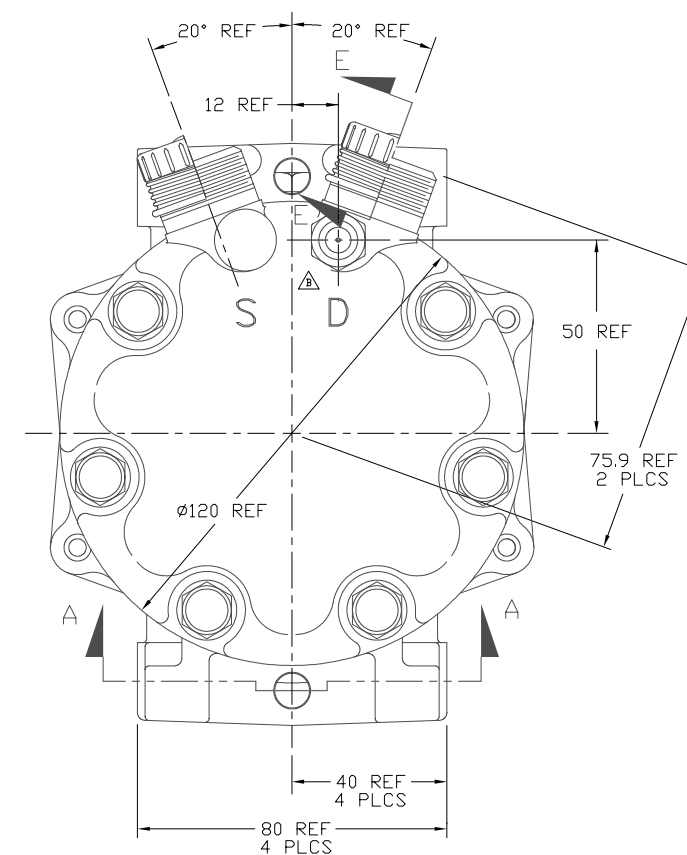
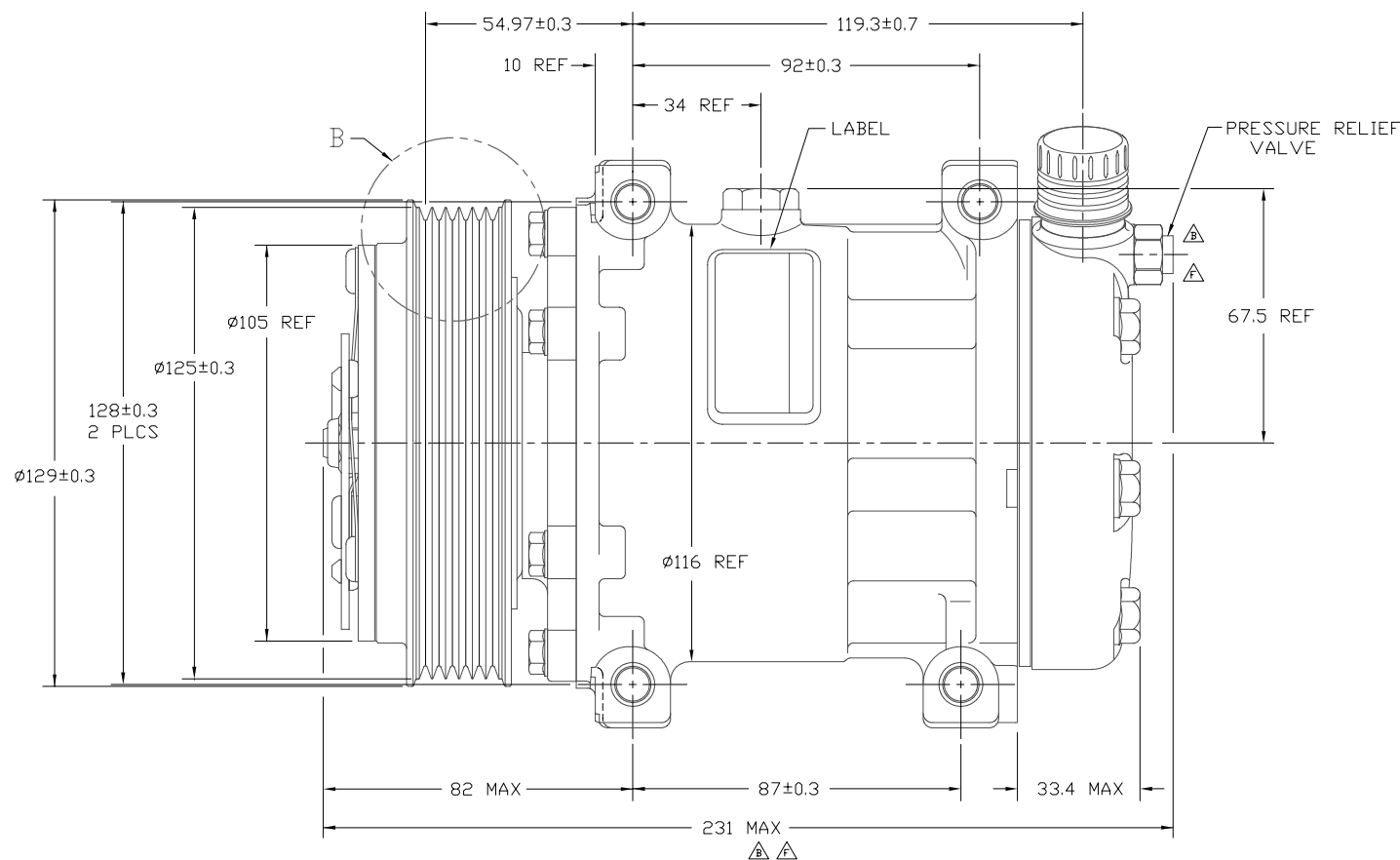


SECTION E-E

SCALE: 2:1
(SECTION SHOWN WITH SEAL CAP REMOVED)
2 PLCS



CLOCKWISE ROTATION



COMPRESSOR SPECIFICATIONS (REF)

| | |
|-------------------------------------|-------------------------------------|
| DISPLACEMENT PER REVOLUTION | 154.9 cc / rev. (9.5cuin. / rev.) |
| MAXIMUM ALLOWABLE R.P.M. | 8000 R.P.M. |
| MAXIMUM ALLOWABLE CONTINUOUS R.P.M. | 6000 R.P.M. |
| REFRIGERANT | R134a |
| OIL (SP-15) | 240 cc (8.1 fl.oz.) |
| WEIGHT | 7.4 kg (16.4 lb.) |

CLUTCH SPECIFICATIONS (REF)

| | |
|--------------------------------|---------------------------|
| RATED VOLTAGE | DC 12V |
| BREAKAWAY TORQUE | 3.5 kgf-m min. @ 12V |
| MINIMUM ENGAGEMENT VOLTAGE | 7.5V @ AIR GAP 0.6mm |
| POWER CONSUMPTION | 49 watts max. |
| BELT TYPE | PV6 TYPE |
| MAXIMUM ALLOWABLE BELT TENSION | 120 kgf |
| PULLEY DIAMETER | $\phi 125$ mm (4.9 in.) |
| CLUTCH TYPE | HEAVY DUTY |

| PDCN | REV. | APPV DATE | REVISIONS | DWN | DSGN | CHK | APPV |
|---------|----------|-----------|--|-----|------|-----|------|
| 538 | 7/13/95 | | CHANGED FROM 44GX-6000 AND REVISED TO CURRENT STANDARDS. | RH | DRL | DD | EMA |
| 95162 | | | CHANGED CYL. HD. FRDM JDA TO CBA. | | | | |
| 2000024 | 6/13/00 | | CHANGED PRV FROM 4605-6470 TO 4967-6470. DELETED DIM 26.2 MAX. 226 MAX WAS 242 MAX. UPDATED TITLE BLOCK. | TG | LM | DRL | DS |
| 99007 | | | | | | | |
| 2001340 | 11/06/01 | | DIL (SP-15) WAS DIL (SP-20) | RSR | LK | DRL | MY |
| 2002375 | 02/03/03 | | 12124580 WAS 12010182 | RSR | HF | DRL | BP |
| 2004324 | 11/18/04 | | UPDATED VIEW TO SHOW TWO LEAD WIRES LEAD WIRE CLAMP. 2208-0250 WAS 7700-0670 | RSR | HF | DRL | RG |
| 2006310 | 12/11/06 | | PRV. 4307-6470 WAS 4967-6470 231 MAX WAS 230 MAX | RSR | JW | DRL | TK |

| | | |
|------------|---------------------------------|--|
| REV. LEVEL | RELEASED FOR: ENGG. DEVELOPMENT | <p>SANDEN INTERNATIONAL (U.S.A.), INC.</p> |
| DWSN | Dennis Lee | |
| CHK | Rick K. EMA | DRAWN SCALE REF 1:1 PLOTTED SCALE REF NONE METRIC |
| APPV. | J.Boyyouk N.I. | <p>This drawing and the information contained hereon are CONFIDENTIAL and PROPRIETARY to Sanden International (U.S.A.), Inc., are received in CONFIDENCE and shall not be used, copied, or disclosed to others without the written permission of Sanden International (U.S.A.), Inc.</p> |
| APPV. DATE | 6/6/94 | |
| REV. LEVEL | RELEASED FOR: DESIGN VALIDATION | INTERPRETATION OF THIS DRAWING PER ASME Y14.5M-1994 |
| DWSN | Dennis Lee | THIRD ANGLE PROJECTION |
| APPV. | J.Boyyouk N.I. | SIZE D |
| APPV. DATE | 6/6/94 | |
| REV. LEVEL | RELEASED FOR: PRODUCTION VAL'D. | MATERIAL: |
| DWSN | Dennis Lee | |
| APPV. | J.Boyyouk N.I. | NAME |
| APPV. DATE | 6/6/94 | COMPRESSOR |
| REV. LEVEL | RELEASED FOR: PRODUCTION | DWG. NO. 4687-6000 |
| DWSN | Dennis Lee | REV. F |
| APPV. | J.Boyyouk N.I. | |
| APPV. DATE | 6/6/94 | |

DO NOT SCALE