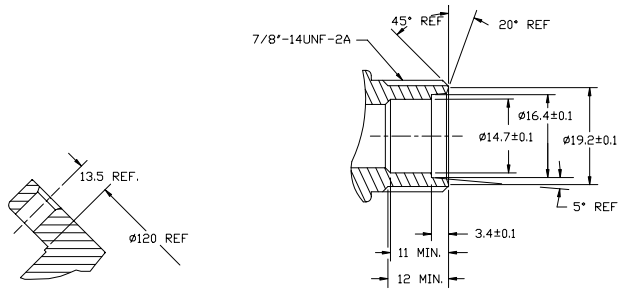
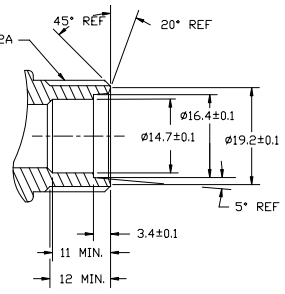


16 | 15 | 14 | 13 | 12 | 11 | 10 | 9 | 8 | 7 | 6 | 5 | 4 | 3 | 2 | 1

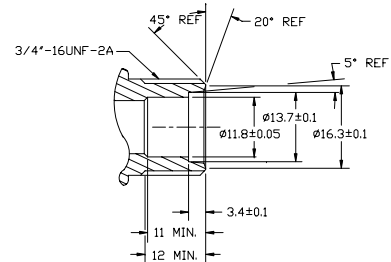
PCDN	REV	APPV DATE	REVISIONS	DVN	ESGN	CHK	APPV
538	Δ	06/29/94	ENG. A6GY-6000 WAS A673-6000 (527958C673) WAS ESTIMATED	33Z	33Z	6.6A	6.6A
93214			CHANGED ARMATURE DUST COVER BELTS FROM NEW TYPE				
99048	Δ	10/30/95	ELIMINATED 9 DUST COVER BOLTS; REVISED TO CURRENT SPEC.	33	33Z	3.4D	6.6A
95590			CHANGED ARMATURE DUST COVER				
99057			UPDATED TO CURRENT TITLE BLOCK				
200340	Δ	11/06/01	OIL (SP-15) WAS OIL SP (SP-20)	33Z	33Z	33Z	33Z



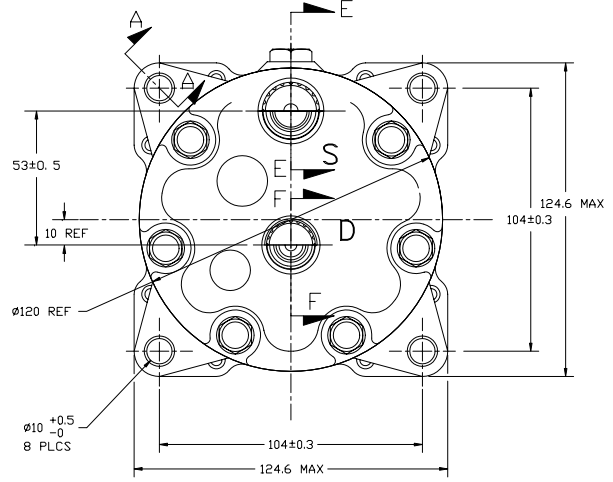
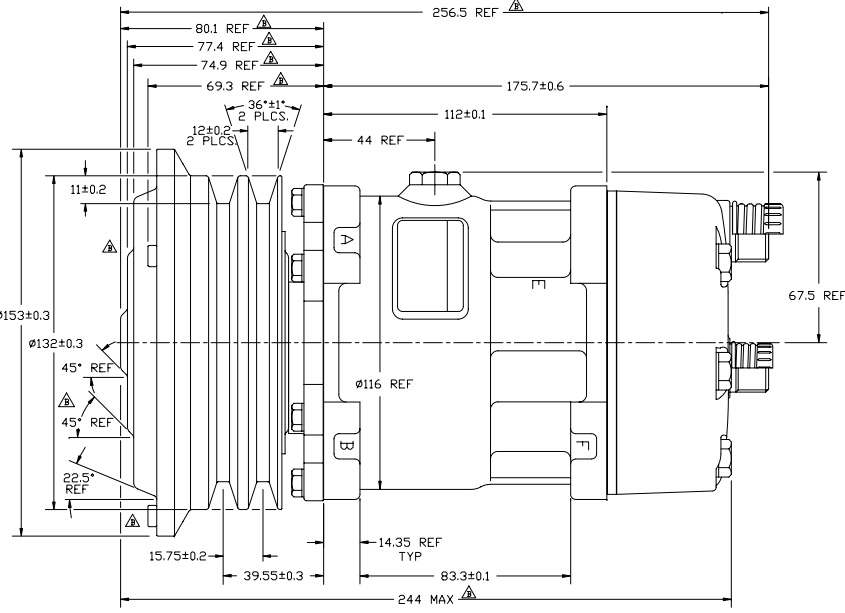
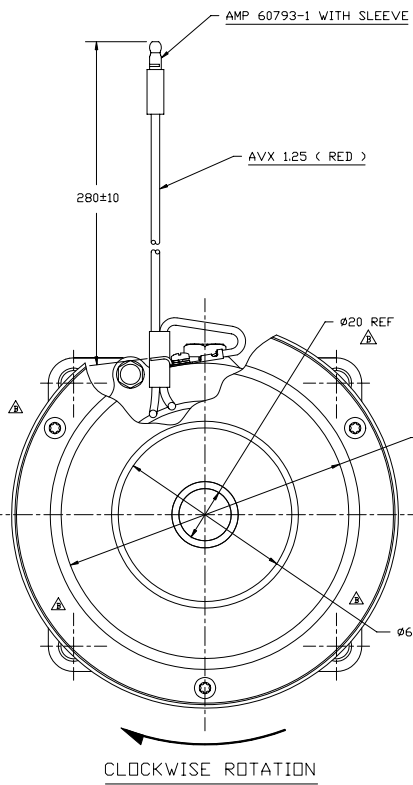
SECTION A-A



SECTION E-E
SCALE: 2:1
(SECTION SHOWN WITH SEAL CAP REMOVED)



SECTION F-F
SCALE: 2:1
(SECTION SHOWN WITH SEAL CAP REMOVED)



COMPRESSOR SPECIFICATIONS

DISPLACEMENT PER REVOLUTION	154.9 cc / rev. (9.5cuin. / rev.)
MAXIMUM ALLOWABLE R.P.M.	4000 R.P.M.
MAXIMUM ALLOWABLE CONTINUOUS R.P.M.	4000 R.P.M.
REFRIGERANT	R134a
OIL (SP-15)	270 cc (9.1 fl. oz.)
WEIGHT	7.4 kgf (16.4 lb.)

CLUTCH SPECIFICATIONS

RATED VOLTAGE	DC 12V
BREAKAWAY TORQUE	3.5 kgf-m min. @ 12V
MINIMUM ENGAGEMENT VOLTAGE	7.5V @ AIR GAP 0.6mm REF
POWER CONSUMPTION	43 watts max.
BELT TYPE	A TYPE
MAXIMUM ALLOWABLE BELT TENSION	60 kgf per belt
PULLEY DIAMETER	ø132mm (5.2 in.)
CLUTCH TYPE	SEALED HEAVY DUTY

DO NOT SCALE

REV. LEVEL	RELEASED FOR ENG. DEVELOPMENT	<p>SANDEN INTERNATIONAL (U.S.A.), INC.</p>
APPV. DATE	06/29/94	
CHK	6.6A	<p>SCALE REF 1:1</p> <p>PLATTER SCALE REF 1:1</p> <p>METRIC</p>
APPV. DATE	06/29/94	<p>This drawing and the information contained herein are CONFIDENTIAL and PROPRIETARY to Sanden International (U.S.A.), Inc. and shall remain in CONFIDENCE and shall not be used, copied, or disclosed to others without the written permission of Sanden International (U.S.A.), Inc.</p>
APPV. DATE	06/29/94	
REV. LEVEL	RELEASED FOR DESIGN VALIDATION	<p>INTERPRETATION OF THIS DRAWING PER ASME Y14.5M-1994</p>
APPV. DATE	06/29/94	<p>THIRD ANGLE PROJECTION</p> <p>SIZE D</p>
REV. LEVEL	RELEASED FOR PRODUCTION VAL. 2	MATERIAL
APPV. DATE	06/29/94	
REV. LEVEL	RELEASED FOR PRODUCTION	NAME
APPV. DATE	06/29/94	COMPRESSOR
REV. LEVEL	RELEASED FOR PRODUCTION	DWG. NO.
APPV. DATE	06/29/94	4673-6000 Δ
		REV. C

16 | 15 | 14 | 13 | 12 | 11 | 10 | 9 | 8 | 7 | 6 | 5 | 4 | 3 | 2 | 1