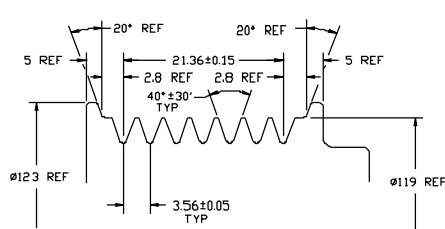
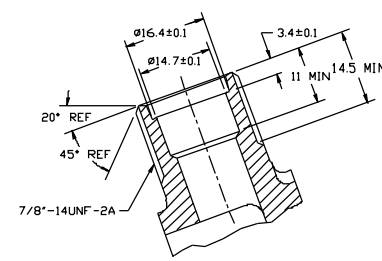


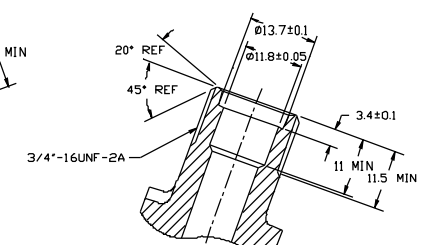
SECTION A-A



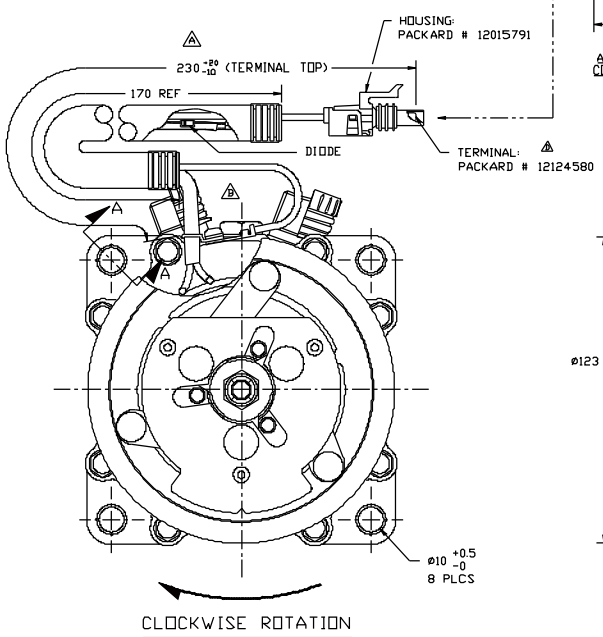
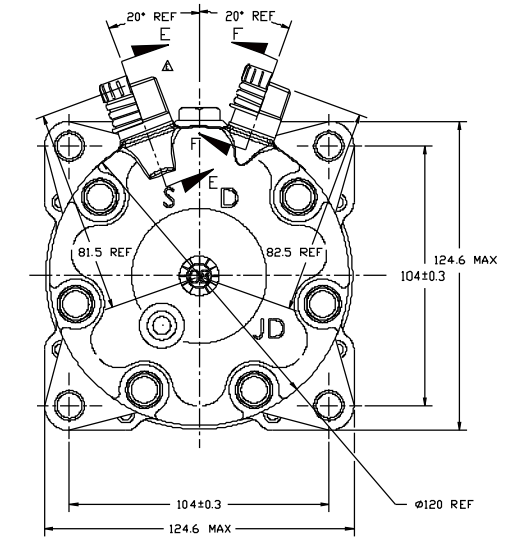
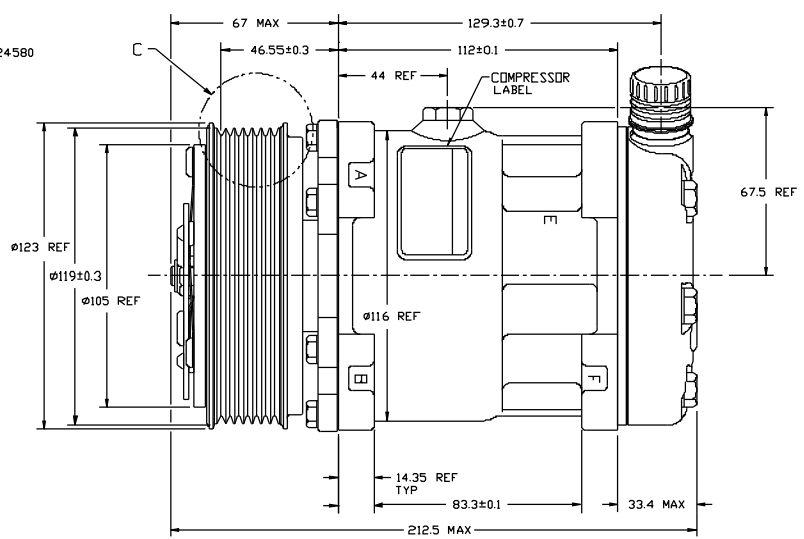
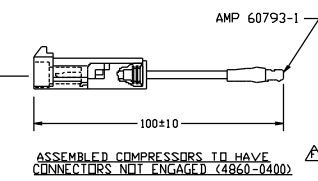
DETAIL C
SCALE: 3:1



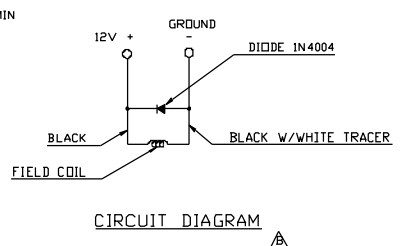
SECTION E-E
SCALE: 2:1
(SECTION SHOWN WITH SEAL CAP REMOVED)



SECTION F-F
SCALE: 2:1
(SECTION SHOWN WITH SEAL CAP REMOVED)



CLOCKWISE ROTATION



REV	DATE	APPROV	REVISIONS	DES	CHK	APPV
1	03/14/95	...	DCP WAS 2RD; ADDED ODDIE
2	03/14/95	...	CHANGED FROM SINGLE TO BIPOLAR FIELD COIL ASSEMBLY ADDED CIRCUIT BOARD
3	11/06/95	...	UPDATED TO CORRECT TITLE BLOCK
4	02/02/96	...	REPLACED WAS 1000000
5	7/15/98	...	UPDATER TO REFLECT LATEST REVISION OF CH. HEAD 1000-0000
6	11/05/99	...	ADDED AMPER ASSY

COMPRESSOR SPECIFICATIONS

DISPLACEMENT PER REVOLUTION	154.9 cc/rev. (9.5 cu. in./rev.)
MAXIMUM ALLOWABLE R.P.M.	9000 R.P.M.
MAXIMUM ALLOWABLE CONTINUOUS R.P.M.	6000 R.P.M.
REFRIGERANT	R134a
OIL (SP-15)	240 cc (8.1 fl. oz.)
WEIGHT	6.9 kg (15.1 lb.)

CLUTCH SPECIFICATIONS

RATED VOLTAGE	DC 12V.
BREAKAWAY TORQUE	3.5 kgf·m MIN. @ 12V.
MINIMUM ENGAGEMENT VOLTAGE	7.5V. @ AIR GAP 0.6mm REF
POWER CONSUMPTION	49 WATTS MAX.
BELT TYPE	PV7 TYPE
MAXIMUM ALLOWABLE BELT TENSION	105 kgf
PULLEY DIAMETER	119mm (4.69 in.)
CLUTCH TYPE	HEAVY DUTY

SANDEN
SANDEN INTERNATIONAL, U.S.A., INC.

SCALE REF 1:1 METRIC

THIRD ANGLE PROJECTION

NAME: COMPRESSOR

DWG. NO: 4665-6000

REV: F

DO NOT SCALE