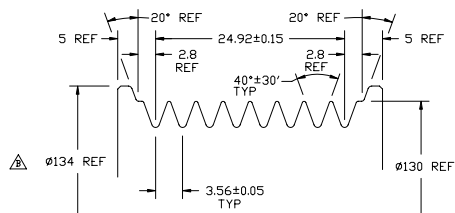


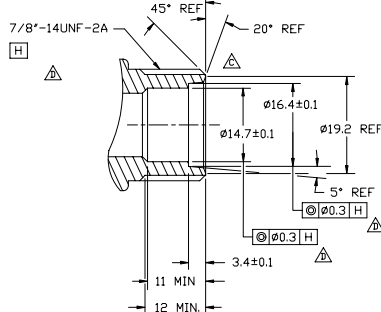
SECTION A-A



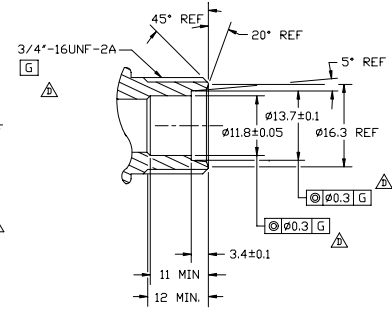
VIEW B-B



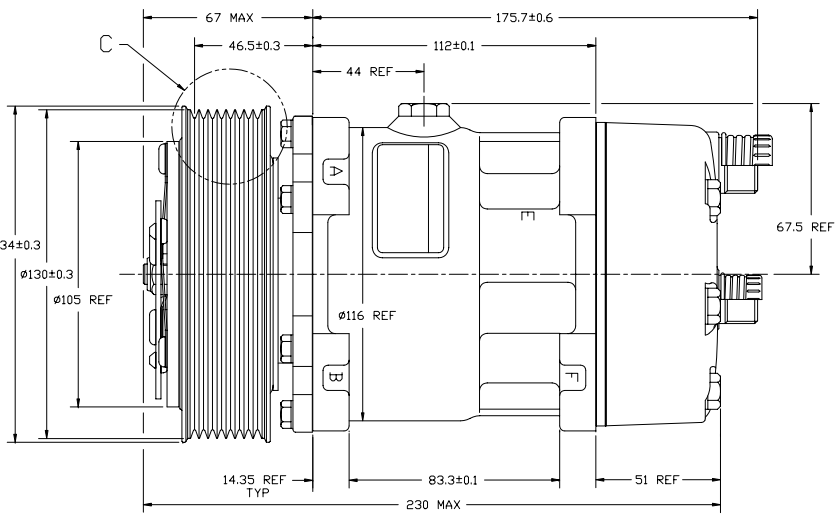
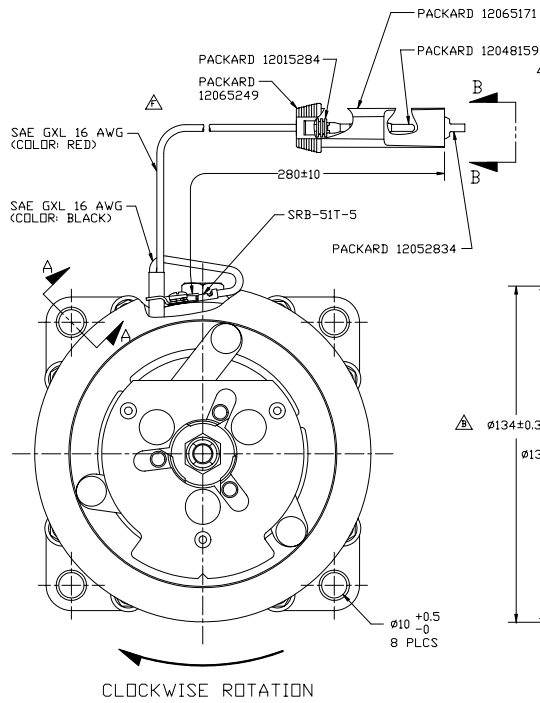
DETAIL C
SCALE: 3:1



SECTION E-E
SCALE: 2:1
(SECTION SHOWN WITH SEAL CAP REMOVED)



SECTION F-F
SCALE: 2:1
(SECTION SHOWN WITH SEAL CAP REMOVED)



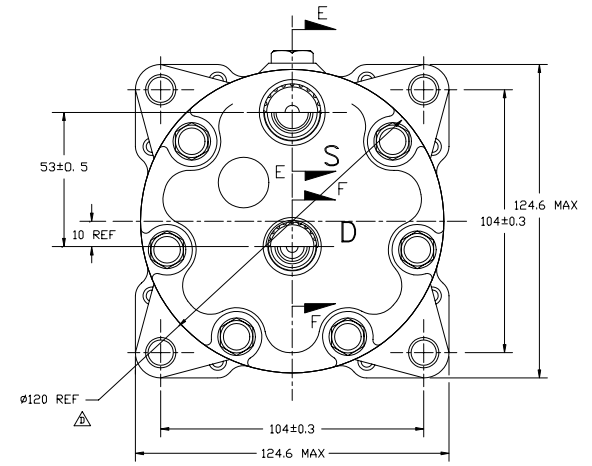
CLUTCH SPECIFICATIONS

RATED VOLTAGE	DC 12V
BREAKAWAY TORQUE	3.5 kgf-m min. @ 12V
MINIMUM ENGAGEMENT VOLTAGE	7.5V @ AIR GAP 0.6mm REF
POWER CONSUMPTION	49 watts max.
BELT TYPE	PVB TYPE
MAXIMUM ALLOWABLE BELT TENSION	120 kgf
PULLEY DIAMETER	Ø130mm (5.1 in.)
CLUTCH TYPE	HEAVY DUTY

COMPRESSOR SPECIFICATIONS

DISPLACEMENT PER REVOLUTION	154.9 cc / rev. (9.5cu.in. / rev.)
MAXIMUM ALLOWABLE R.P.M.	8000 R.P.M.
MAXIMUM ALLOWABLE CONTINUOUS R.P.M.	6000 R.P.M.
REFRIGERANT	R134a
OIL (SP-15)	270 cc (9.1 fl.oz.)
WEIGHT	7.2 kg (15.8 lb.)

NOTE:
1. G AND H ARE THE OUTSIDE DIAMETERS OF 3/4"-16UNF-2A AND 7/8"-14UNF-2A, RESPECTIVELY.



P/CDN	REV	APPLY DATE	REVISIONS	DWN	ESGN	CHK	APPV
			WAS A47T-6000				
94130	Δ	5/9/94	CHANGED TERMINAL P/N WAS 12048559 NOW 12048599	JK	JK	JK	BJA
94148	Δ	6/7/94	MODEL NO. SD7H15KC4659 WAS SD7H5KC4659. #134403 WAS #1283403. #134 REF WAS #128 REF.	JK	JK	JK	BJA
94187	Δ	6/14/94	#147401 WAS #146402S.	JK	JK	JK	BJA
96442	Δ	1/25/96	ADDED CONCENTRICITY SPEC. UPDATED TO CURRENT STANDARDS	JK	JK	JK	BJA
96161	Δ	4/3/96	ADDED NOTE 1. ADDED PROTECTIVE TUBE LENGTH	JK	JK	JK	BJA
99187	Δ	04/23/99	CHANGED TO SIPLE FIELD COIL. ADDED VIEW B-B.	JK	JK	JK	BJA
99007	Δ	11/14/99	UPDATED TO CURRENT TITLE BLOCK	JK	JK	JK	BJA
2001340			OIL (SP-15) WAS OIL (SP-20)	JK	JK	JK	BJA

REV. LEVEL	RELEASED FOR PRODUCTION VAL. 2	<p>SANDEN INTERNATIONAL (U.S.A.), INC.</p> <p>SCALE REF 1:1</p> <p>PLIFIER SCALE REF 1:1</p> <p>METRIC</p> <p>This drawing and the information contained herein are CONFIDENTIAL and PROPRIETARY to Sanden International (U.S.A.), Inc. and are loaned in CONFIDENCE and shall not be used, copied, or disclosed to others without the written permission of Sanden International (U.S.A.), Inc.</p> <p>INTERPRETATION OF THIS DRAWING PER ASME Y14.5M-1994</p> <p>THIRD ANGLE PROJECTION</p> <p>SIZE D</p>
CHK	DATE	
APPV.	DATE	<p>NAME</p> <p>COMPRESSOR SD7H15KC4659</p>
REV. LEVEL	DATE	
APPV.	DATE	<p>DWG. NO.</p> <p>4659-6000</p>
REV. LEVEL	DATE	
APPV.	DATE	<p>REV. G</p>
APPV.	DATE	

DO NOT SCALE