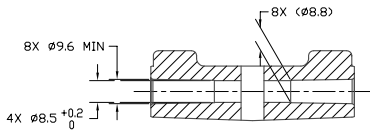
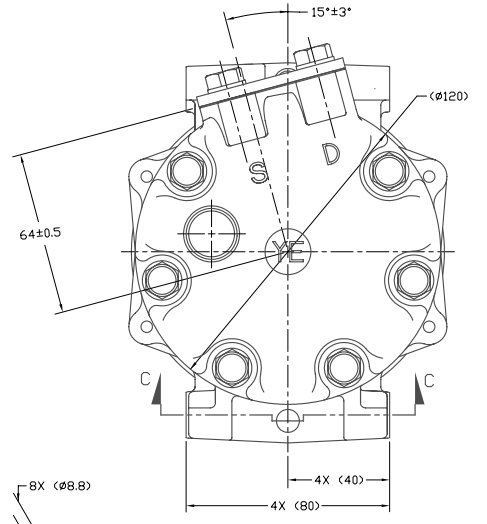
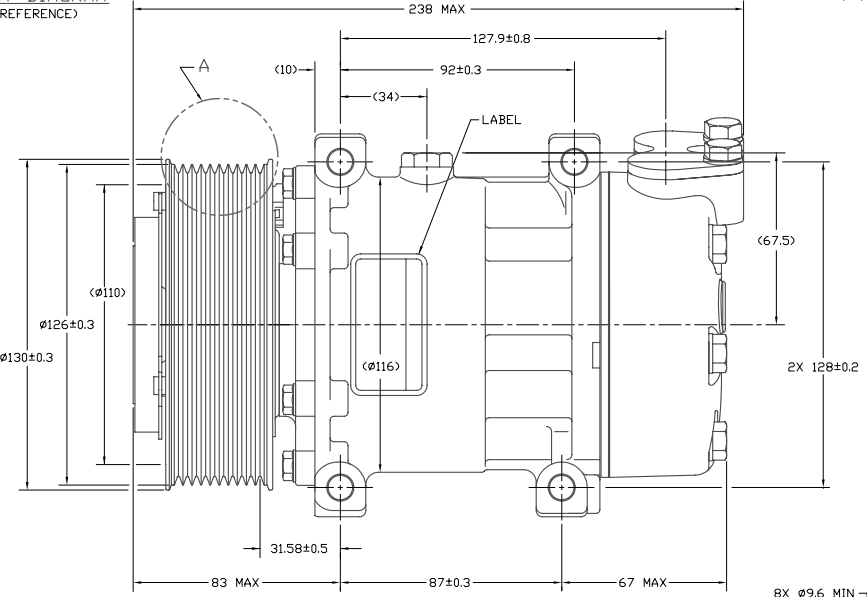
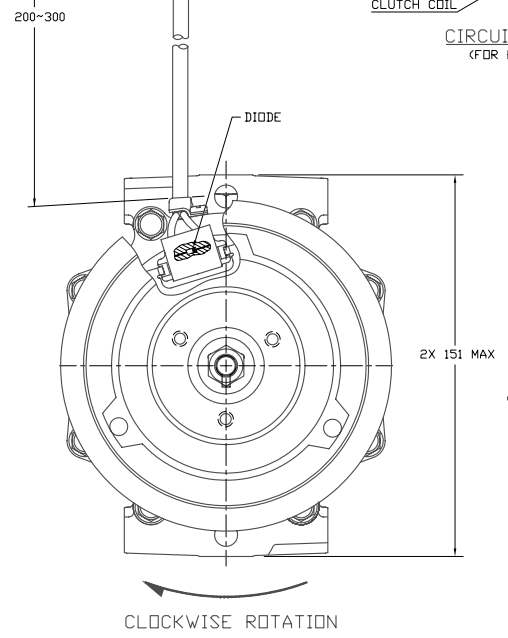
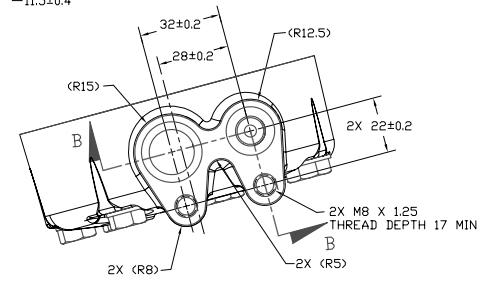
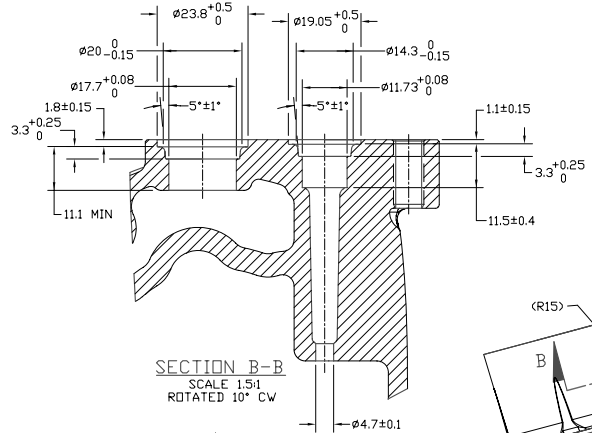
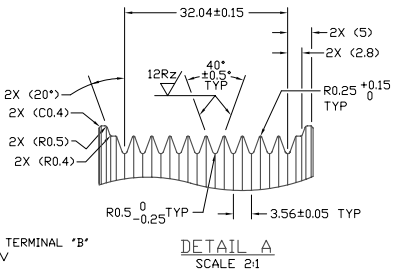
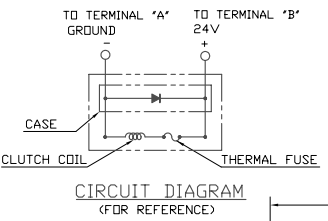
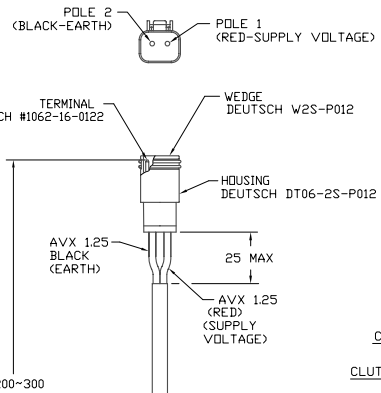


PCDN	REV	APPV	REVISIONS	DWN	ESGN	CHK	APPV
			INITIAL ISSUE				



**COMPRESSOR SPECIFICATIONS (REF.)**

DISPLACEMENT PER REVOLUTION	154.9 cc / rev. ( 9.5cuin. / rev. )
MAXIMUM ALLOWABLE R.P.M.	8000 R.P.M.
MAXIMUM ALLOWABLE CONTINUOUS R.P.M.	6000 R.P.M.
REFRIGERANT	R134a
OIL ( SP-15 )	240 cc ( 8.1 floz. )

**CLUTCH SPECIFICATIONS (REF.)**

RATED VOLTAGE	DC 24V
BREAKAWAY TORQUE	3.5 kgf-m min. @ 12V
MINIMUM ENGAGEMENT VOLTAGE	16V @ AIR GAP 0.6mm
POWER CONSUMPTION	42 watts max.
BELT TYPE	PV10 TYPE
MAXIMUM ALLOWABLE BELT TENSION	120 kgf
PULLEY DIAMETER	Ø126 mm ( 4.96 in. )
CLUTCH TYPE	SUPER HEAVY DUTY

NOTE:  
1. DIMENSIONS ARE TO VIRTUAL SHARP CORNERS UNLESS OTHERWISE SPECIFIED.

REV.	RELEASED FOR	DESIGN DEVELOPMENT	SCALE REF	11	PLOTTED	SCALE REF	11	IMETRIC
A	J Sokolowski	M. Anders	3/2/97					
A	M. Anders	M. Anders	3/2/97					
A	M. Anders	M. Anders	3/2/97					
A	M. Anders	M. Anders	3/2/97					

**SANDEN**  
SANDEN INTERNATIONAL (U.S.A.), INC.

THIS DRAWING AND THE INFORMATION CONTAINED HEREON ARE CONFIDENTIAL AND PROPRIETARY TO SANDEN INTERNATIONAL (U.S.A.), INC. AND SHALL REMAIN SO UNLESS OTHERWISE SPECIFIED. IT IS TO BE USED, COPIED, OR DISCLOSED TO OTHERS WITHOUT THE WRITTEN PERMISSION OF SANDEN INTERNATIONAL (U.S.A.), INC.

INTERPRETATION OF THIS DRAWING PER ASME Y14.5M-1994

THIRD ANGLE PROJECTION

MATERIAL:  $\phi$   $\leftarrow$   $\leftarrow$   $\leftarrow$

NAME: **COMPRESSOR**

DWG. NO. **4648-6000**

REV. **A**

**DO NOT SCALE**