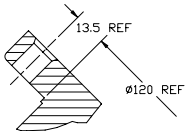
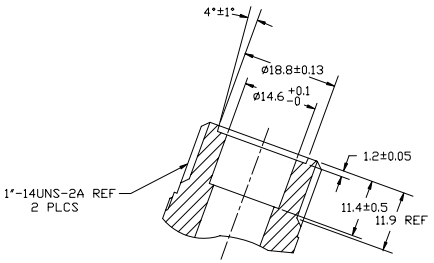


16 | 15 | 14 | 13 | 12 | 11 | 10 | 9 | 8 | 7 | 6 | 5 | 4 | 3 | 2 | 1

PCDN NO.	NO.	DATE	REVISIONS	DWN	ESGN	CHK	APPV
			INITIAL ISSUE.				
9900	▲	5/3/99	UPDATED TO CURRENT STANDARDS: SD7H WAS BOWED ADDED COMPRESSOR LABEL, DELETED DATA, B BORE, #993 (4 PLCS) STROKE 55.8 mm (2.199 in.) NUMBER OF CYLINDERS 7. CHANGE FROM HANDLE TO DIPPLE FIELD COIL ASSEMBLY.	FW	JM	JRZ	JD
9998							
200340	▲	11/12/01	OIL (SP-15) WAS OIL (SP-20)	JRZ	JRZ	JRZ	JM

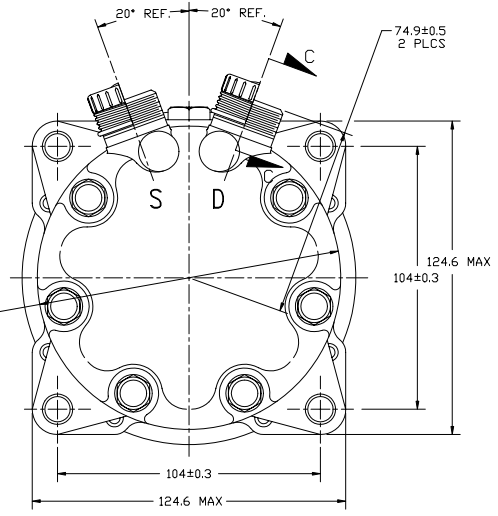
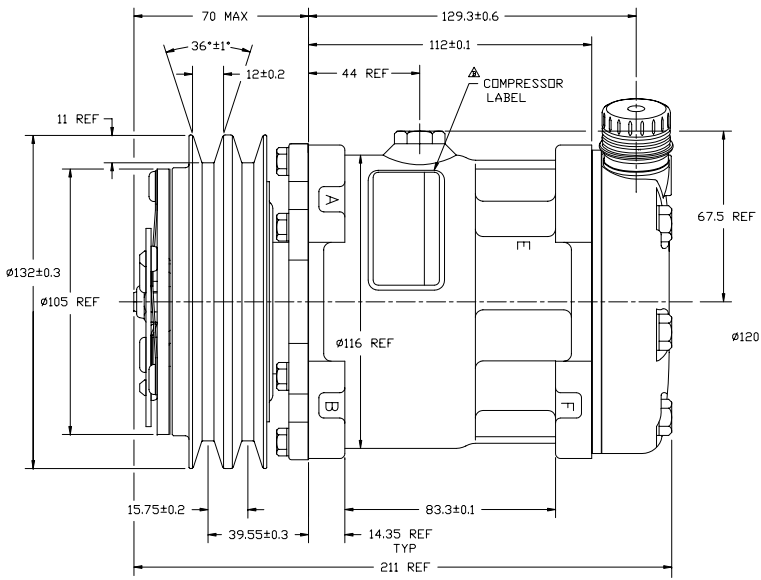
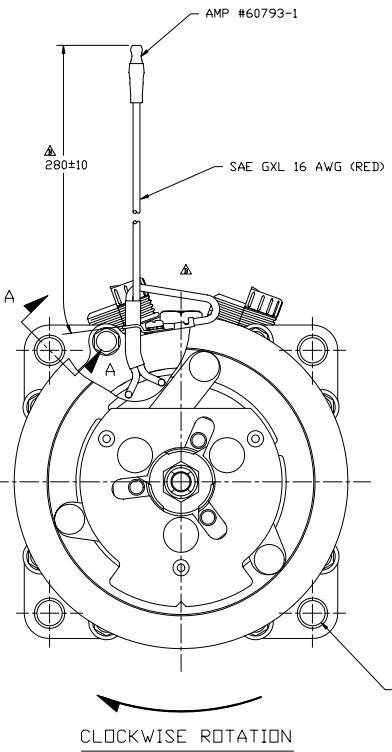


SECTION A-A



SECTION C-C

SCALE: 2:1  
(SECTION SHOWN WITH SEAL CAP REMOVED)  
2 PLCS



▲ COMPRESSOR SPECIFICATIONS

DISPLACEMENT PER REVOLUTION	154.9 cc / rev. ( 9.5cuin. / rev. )
MAXIMUM ALLOWABLE R.P.M.	8000 R.P.M.
MAXIMUM ALLOWABLE CONTINUOUS R.P.M.	6000 R.P.M.
REFRIGERANT	R134a
OIL ( SP-15 )	240 cc ( 8 floz. )
WEIGHT	7.5 kg ( 16.6 lb. )

CLUTCH SPECIFICATIONS

RATED VOLTAGE	DC 12V
BREAKAWAY TORQUE	3.5 kgf-m min. @ 12V
MINIMUM ENGAGEMENT VOLTAGE	7.5V @ AIR GAP 0.6mm REF
POWER CONSUMPTION	49 watts max.
BELT TYPE	A TYPE
MAXIMUM ALLOWABLE BELT TENSION	60 kgf PER BELT
PULLEY DIAMETER	Ø132mm ( 5.2 in. )
CLUTCH TYPE	HEAVY DUTY

REV. LEVEL	RELEASED FOR: DESIGN DEVELOPMENT	DATE: 7/14/93	BY: Jm	CHK: Jm	SCALE REF: 1:1	UNIT: METRIC
A	RELEASED FOR: DESIGN VALIDATION	DATE: 6/25/93	BY: Jm	CHK: Jm	SCALE REF: 1:1	UNIT: METRIC
A	RELEASED FOR: PRODUCTION VAL. n	DATE: 7/14/93	BY: Jm	CHK: Jm	SCALE REF: 1:1	UNIT: METRIC
A	RELEASED FOR: PRODUCTION VAL. n	DATE: 7/14/93	BY: Jm	CHK: Jm	SCALE REF: 1:1	UNIT: METRIC
A	RELEASED FOR: PRODUCTION VAL. n	DATE: 7/14/93	BY: Jm	CHK: Jm	SCALE REF: 1:1	UNIT: METRIC
A	RELEASED FOR: PRODUCTION VAL. n	DATE: 7/14/93	BY: Jm	CHK: Jm	SCALE REF: 1:1	UNIT: METRIC

This drawing and the information contained herein are CONFIDENTIAL and PROPRIETARY to Sanden International (U.S.A.), Inc. and its subsidiaries. It is to be used only for the purpose intended and shall not be used, copied, or disclosed to others without the written permission of Sanden International (U.S.A.), Inc.

INTERPRETATION OF THIS DRAWING PER ASME Y14.5M-1994  
 THIRD ANGLE PROJECTION  
 ⌀ ≡ ⌀

NAME: SD7H15CB4643 COMPRESSOR  
 DIV. NO.: 4643-6000  
 REV. C

DO NOT SCALE

16 | 15 | 14 | 13 | 12 | 11 | 10 | 9 | 8 | 7 | 6 | 5 | 4 | 3 | 2 | 1