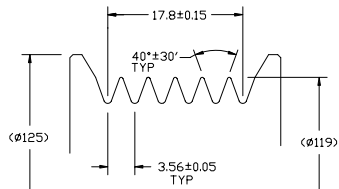
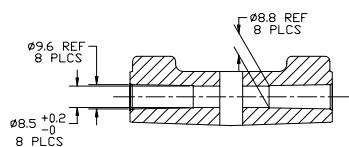


16 | 15 | 14 | 13 | 12 | 11 | 10 | 9 | 8 | 7 | 6 | 5 | 4 | 3 | 2 | 1

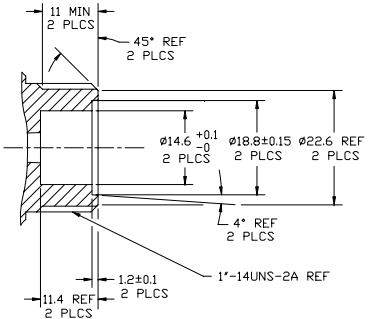
FIG. NO.	REV.	DATE	REVISIONS	DWN	ISSN	CHK	APPV
530		3/5/93	CHG 4641-6000 WAS A2R1-6000.	JK	JK	JK	JK
99003	A	3/5/93	UPDATED TO CURRENT STANDARDS. (20015 WAS 20015) ADDED COMPRESSOR LABEL. DELETED DATA 5, BORE #093 (IN CLIND) STROKE 25.8 mm (1.015 in.) NUMBER OF CYLINDERS 7 CHANGE FROM NONPOLE TO DIPOLE FIELD COIL ASSEMBLY.	JK	JK	JK	JK
99998				JK	JK	JK	JK
800340	A	11/12/91	DIL (SP-15) WAS DIL (SP-20)	JK	JK	JK	JK



DETAIL A
SCALE: 3:1

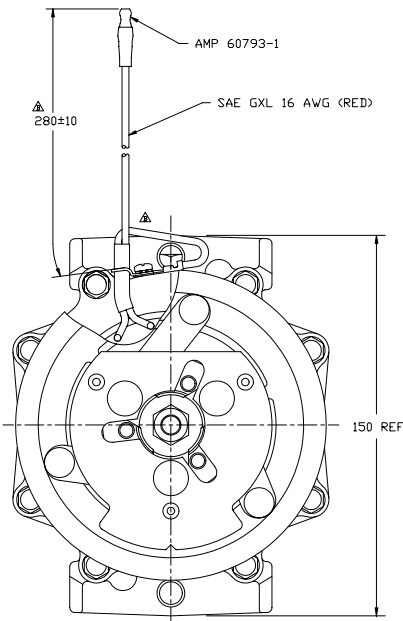


SECTION B-B

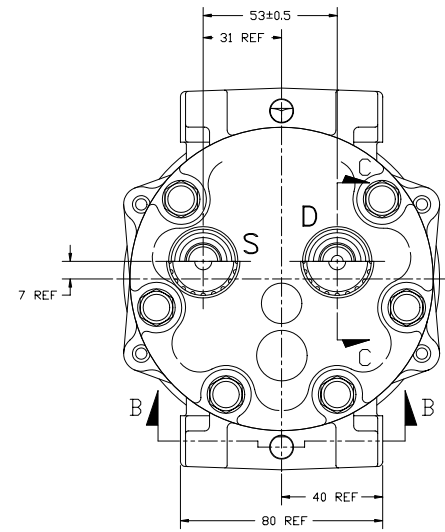
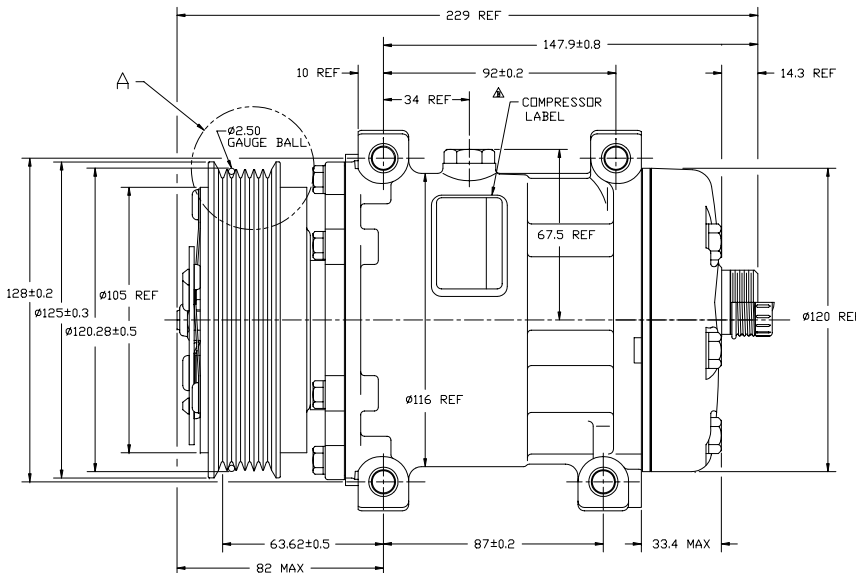


SECTION C-C

SCALE: 2:1
TYPICAL BOTH PORTS
(SECTION SHOWN WITH SEAL CAP REMOVED)



CLOCKWISE ROTATION



▲ COMPRESSOR SPECIFICATIONS

DISPLACEMENT PER REVOLUTION	154.9 cc / rev. (9.5cuin. / rev.)
MAXIMUM ALLOWABLE R.P.M.	8000 R.P.M.
MAXIMUM ALLOWABLE CONTINUOUS R.P.M.	6000 R.P.M.
REFRIGERANT	R134a
DIL (SP-15)	135 cc (4.5 floz.)
WEIGHT	7.2 kg (15.9 lb.)

CLUTCH SPECIFICATIONS

RATED VOLTAGE	DC 12V
BREAKAWAY TORQUE	3.5 kgf-m min. @ 12V
MINIMUM ENGAGEMENT VOLTAGE	7.5V @ AIR GAP 0.6mm REF
POWER CONSUMPTION	49 watts max.
BELT TYPE	PV6 TYPE
MAXIMUM ALLOWABLE BELT TENSION	90 kgf
PULLEY DIAMETER	Ø119mm (4.68 in.)
CLUTCH TYPE	STANDARD

REV. LEVEL	RELEASED FOR PRODUCTION VAL. 2	DATE	6/16/93	BY	JK
APPV	JK	DATE	9/1/92	BY	JK
DESIGN VALIDATION	DATE	6/16/93	BY	JK	
RELEASED FOR PRODUCTION VAL. 2	DATE	6/16/93	BY	JK	
APPV	JK	DATE	9/1/92	BY	JK
RELEASED FOR PRODUCTION VAL. 2	DATE	6/16/93	BY	JK	
APPV	JK	DATE	9/1/92	BY	JK
RELEASED FOR PRODUCTION VAL. 2	DATE	6/16/93	BY	JK	
APPV	JK	DATE	9/1/92	BY	JK

SANDEN
SANDEN INTERNATIONAL (U.S.A.), INC.
DRAWN SCALE REF 1:1
PLOTTED SCALE REF 1:1
METRIC

This drawing and the information contained herein are CONFIDENTIAL and PROPRIETARY to Sanden International (U.S.A.), Inc. and received in CONFIDENCE and shall not be used, copied, or disclosed to others without the written permission of Sanden International (U.S.A.), Inc.

INTERPRETATION OF THIS DRAWING PER
ASME Y14.5M-1994

THIRD ANGLE PROJECTION

MATERIAL

NAME SD7H15MD4641
COMPRESSOR

ENG. NO. 4641-6000

REV. C

DO NOT SCALE

16 | 15 | 14 | 13 | 12 | 11 | 10 | 9 | 8 | 7 | 6 | 5 | 4 | 3 | 2 | 1