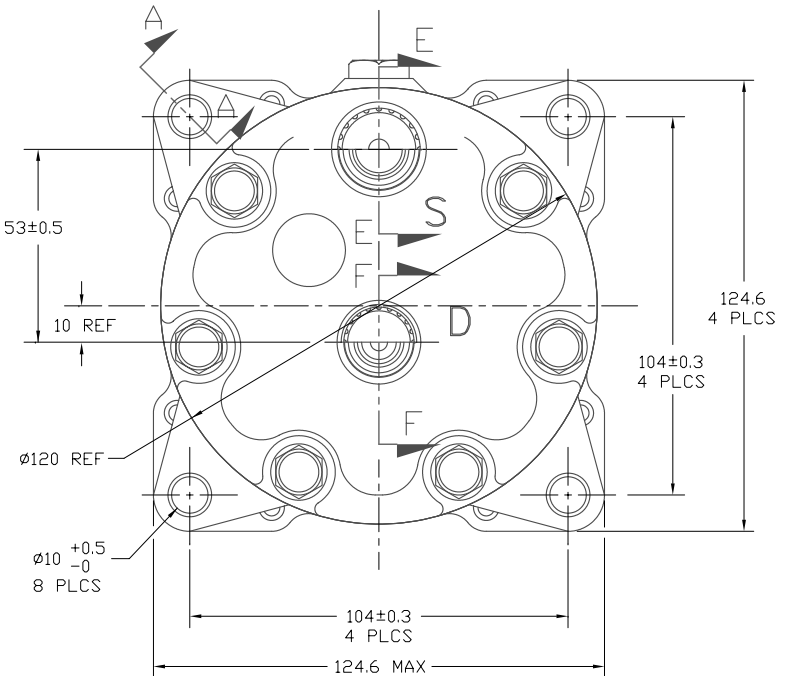
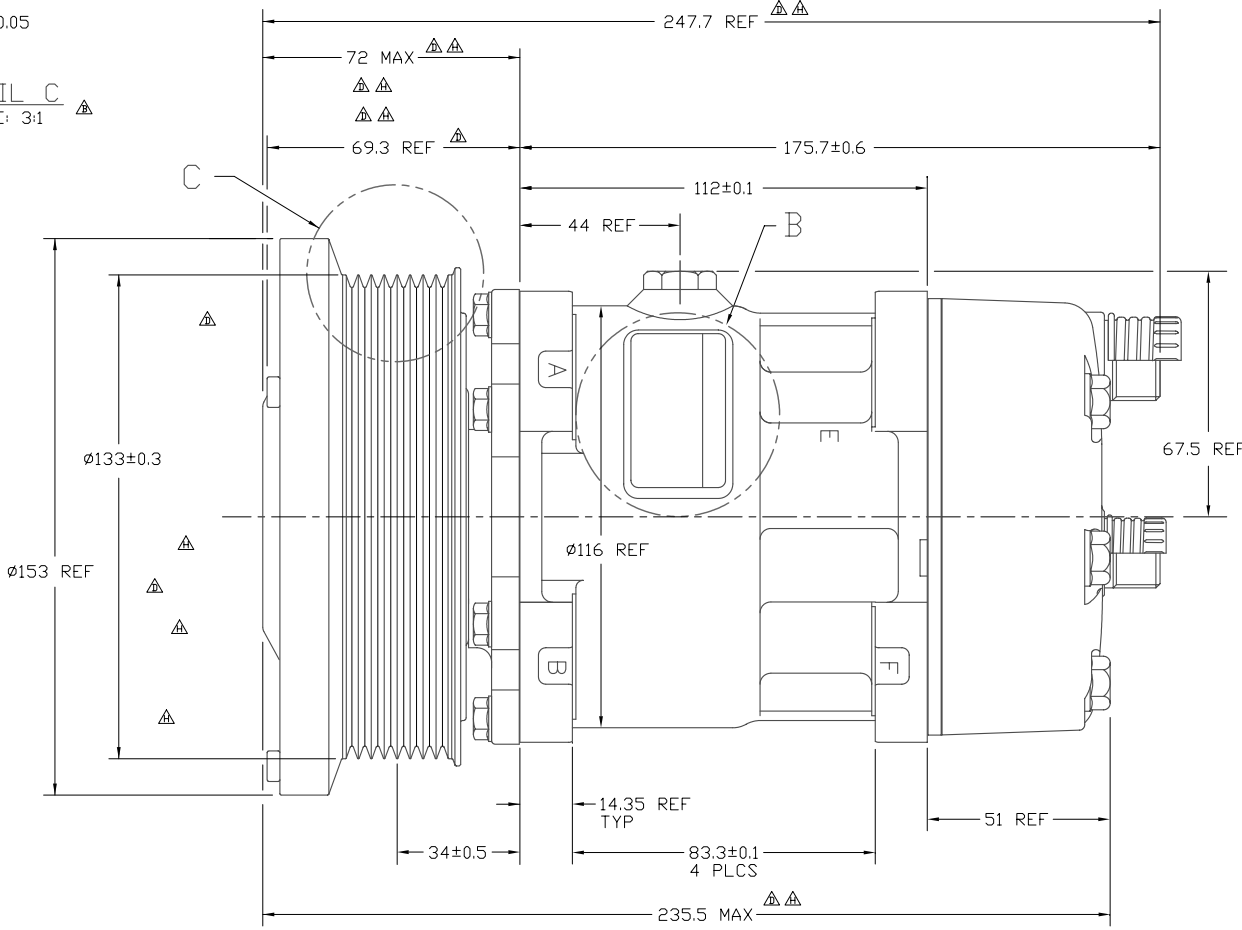
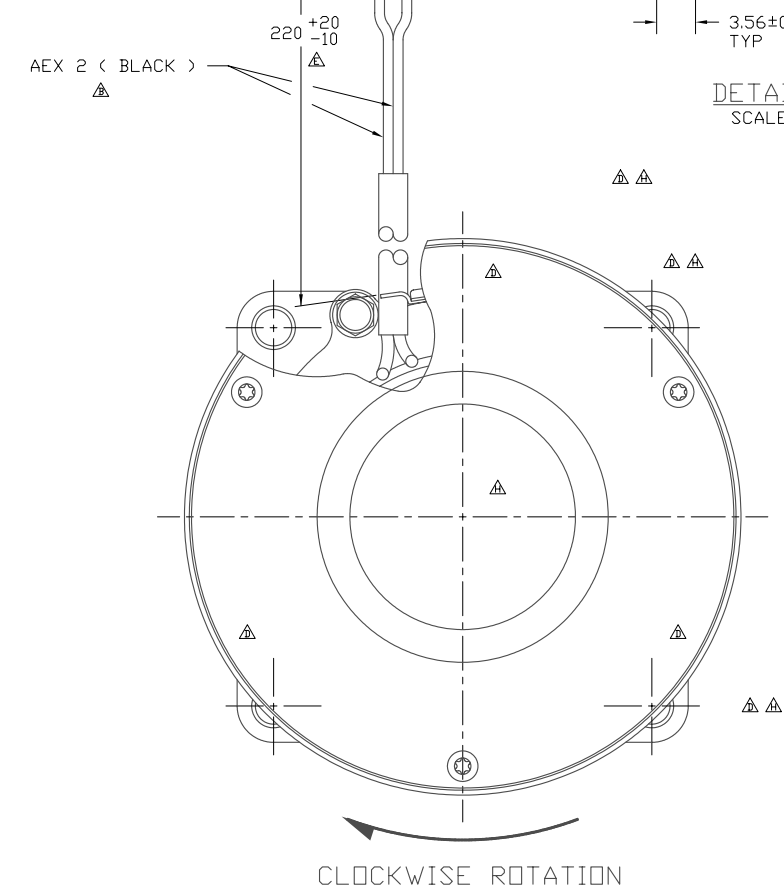
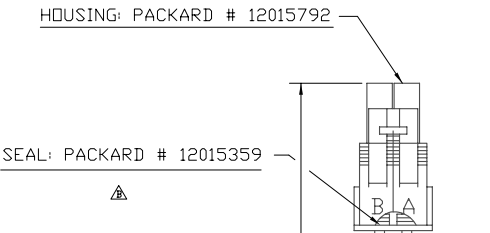
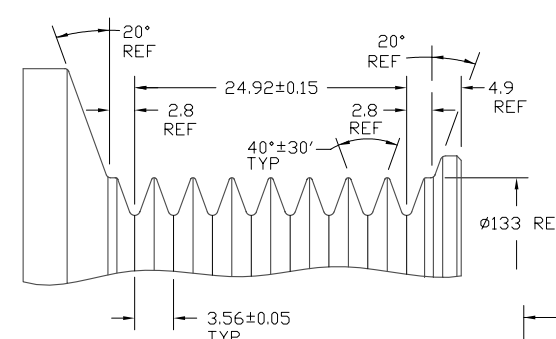
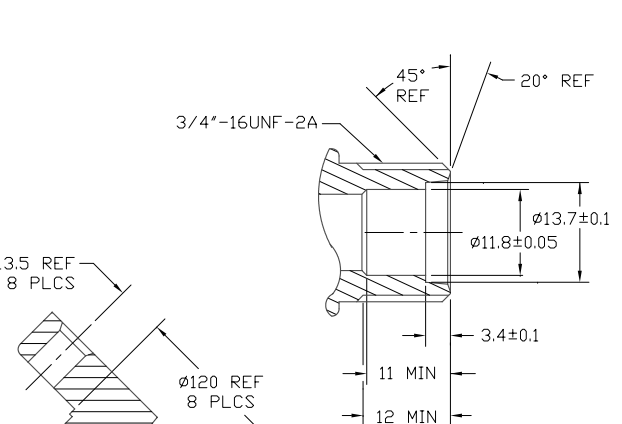
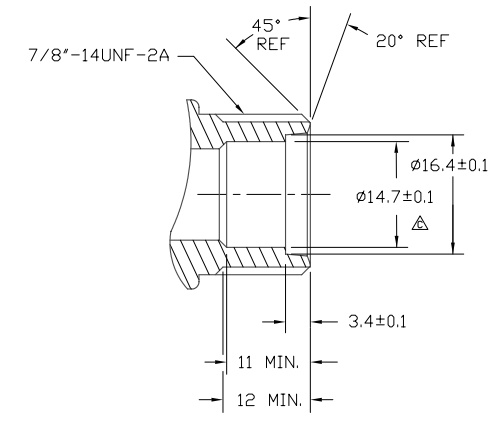
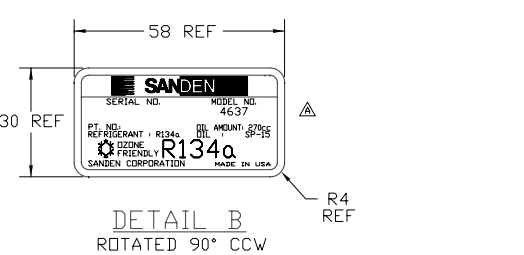
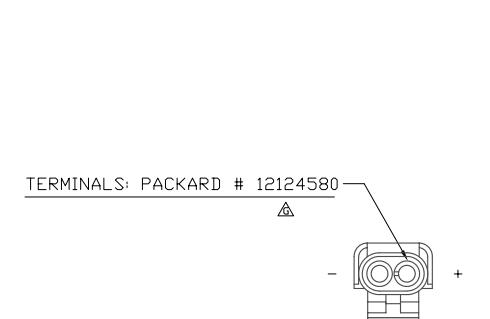


PCDN. NO.	REV.	DATE	REVISIONS	DWN	DSGN	CHK	APPV
538	△	3/5/93	CHANGED TO A HARD # WAS A38F-6000.	RH	DRL	DRL	EMA
93130 A&B	△	4/29/93	REVISED DETAIL A. SECT. C-C & SECT. E-E. CHANGED AVX 125 (RED) TO AEX 2 (BLACK).	RH	DRL	D.McC	DRL
94127	△	6/10/94	Ø14.7±0.1 WAS Ø14.55 ±0.0	RK	JKN	JKN	EMA
93214			CHANGED ARMATURE DUST COVER BOLTS FROM HEX TYPE				
94422	△	10/30/95	ADDED CLUTCH TYPE - SEALED HEAVY DUTY. 4000 R.P.M. WAS 6000 R.P.M.	TG	DRL	DO	EMA
95068			ELIMINATED 3 DUST COVER BOLTS. REVISED TO CURRENT SPECS.				
95390			CHANGED ARMATURE DUST COVER.				
98214	△	10/30/95	220 ±20 10 WAS 220±10.	JW	DSeals	DRL	EMA TS
2001340 99007	△	11-12-01	OIL (SP-15) WAS OIL (SP-20) UPDATED BORDER	DKC	LK	DRL	MY
2002375	△	1/29/03	TERMINALS: PACKARD # 12124580 WAS 12010082	DRL	HF	DRL	BP
2006191	△	07/11/06	DELETED: 77.4 REF; 74.9 REF; 45° REF; 45° REF; 22.5° REF; Ø113 REF; Ø20 REF; Ø68 REF; CHANGED TO DIFFERENT ARMATURE DUST COVER; 247.7 REF WAS 255.8 REF; 72 MAX WAS 80.1; 235.5 MAX WAS 245 MAX	RSR	HF	DRL	RM



COMPRESSOR SPECIFICATIONS

DISPLACEMENT PER REVOLUTION	154.9 cc / rev. ( 9.5cu.in. / rev. )
MAXIMUM ALLOWABLE R.P.M.	4000 R.P.M.
MAXIMUM ALLOWABLE CONTINUOUS R.P.M.	4000 R.P.M.
REFRIGERANT	R134a
OIL ( SP-15 )	270 cc ( 9.3 fl.oz. )

CLUTCH SPECIFICATIONS

RATED VOLTAGE	DC 12V
BREAKAWAY TORQUE	3.5 kgf-m min. @ 12V
MINIMUM ENGAGEMENT VOLTAGE	7.5V @ AIR GAP 0.6mm REF
POWER CONSUMPTION	43 watts max.
BELT TYPE	PV8 TYPE
MAXIMUM ALLOWABLE BELT TENSION	120 kgf
PULLEY DIAMETER	Ø133mm ( 5.2 in. )
CLUTCH TYPE	SEALED HEAVY DUTY

DO NOT SCALE

REV. LEVEL	RELEASED FOR ENGR. DEVELOPMENT	<p>SANDEN INTERNATIONAL ( U.S.A. ), INC.</p>
DSGN	Dennis Lee 9/4/92	
DWN	Dennis Lee 9/3/92	DRAWN SCALE REF 1:1 PLOTTED SCALE REF 1:1 METRIC This drawing and the information contained hereon are CONFIDENTIAL and PROPRIETARY to Sanden International (U.S.A.), Inc., are received in CONFIDENCE and shall not be used, copied, or disclosed to others without the written permission of Sanden International (U.S.A.), Inc.
CHK	JB D.M.Clung 9/4/92	
APPV.	JB NED 9/3/92	INTERPRETATION OF THIS DRAWING PER ASME Y14.5M-1994 THIRD ANGLE PROJECTION 
DATE	9/3/92	
REV. LEVEL	RELEASED FOR DESIGN VALIDATION	MATERIAL: NAME: SD7H15KC4637 COMPRESSOR
DSGN	Dennis Lee 9/4/92	
DWN	JB NED 9/3/92	DWG. NO. 4637-6000 △ REV. H
CHK	JB NED 9/3/92	
APPV.	JB NED 9/3/92	
DATE	9/3/92	