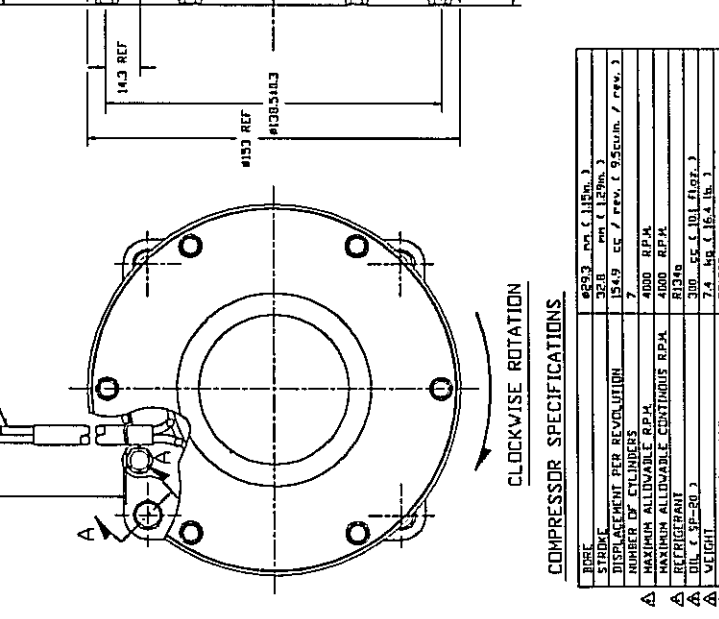
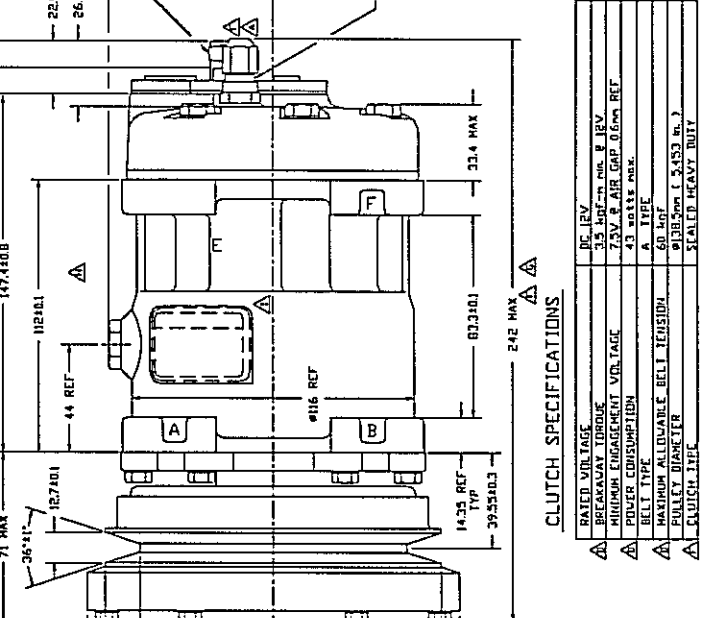
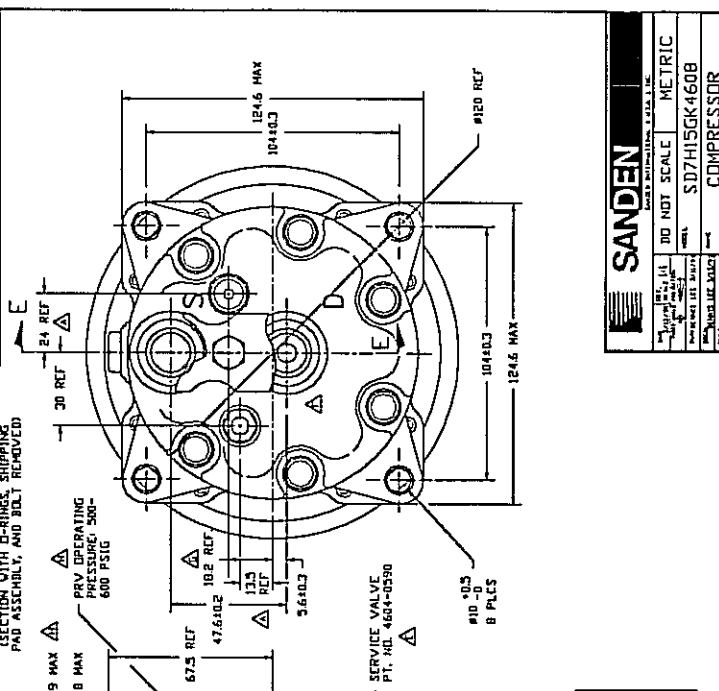
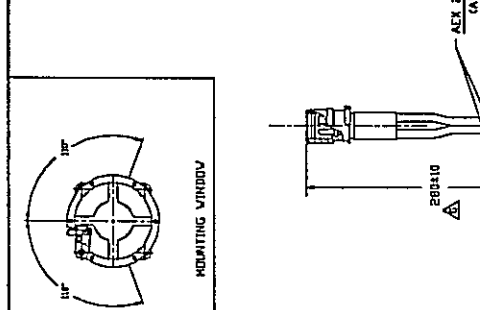
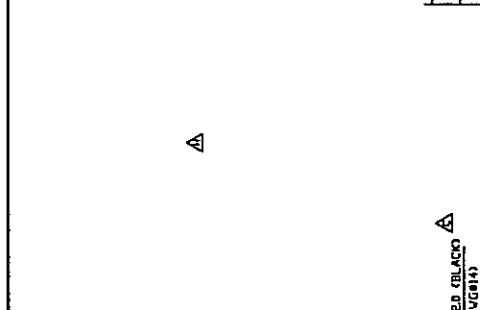
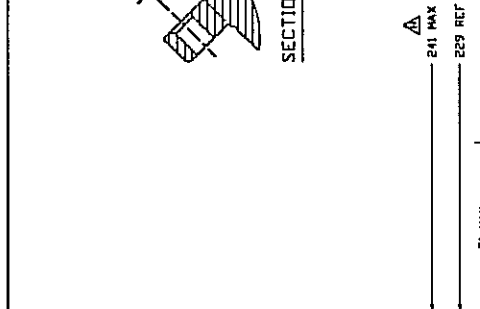
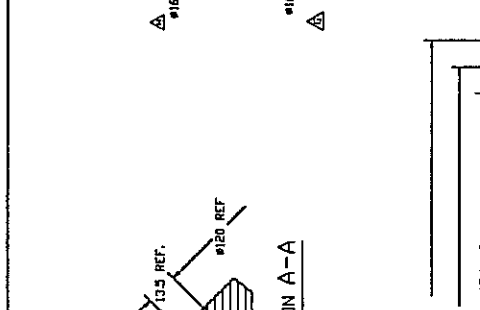
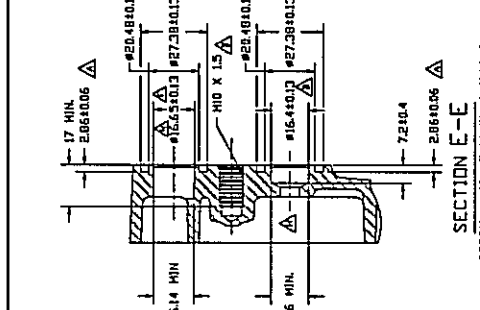


REV	DATE	BY	CHKD	DESCRIPTION
1	01/27/73	WJ	WJ	DESIGN SERVICE VALVE, 100 PSI, 1/2" NPT, 1/2" O.D. 1/2" BORE, 1/2" X 1/2" X 1/2" (1/2" X 1/2" X 1/2")
2	01/27/73	WJ	WJ	DESIGN SERVICE VALVE, 100 PSI, 1/2" NPT, 1/2" O.D. 1/2" BORE, 1/2" X 1/2" X 1/2" (1/2" X 1/2" X 1/2")
3	01/27/73	WJ	WJ	DESIGN SERVICE VALVE, 100 PSI, 1/2" NPT, 1/2" O.D. 1/2" BORE, 1/2" X 1/2" X 1/2" (1/2" X 1/2" X 1/2")
4	01/27/73	WJ	WJ	DESIGN SERVICE VALVE, 100 PSI, 1/2" NPT, 1/2" O.D. 1/2" BORE, 1/2" X 1/2" X 1/2" (1/2" X 1/2" X 1/2")
5	01/27/73	WJ	WJ	DESIGN SERVICE VALVE, 100 PSI, 1/2" NPT, 1/2" O.D. 1/2" BORE, 1/2" X 1/2" X 1/2" (1/2" X 1/2" X 1/2")
6	01/27/73	WJ	WJ	DESIGN SERVICE VALVE, 100 PSI, 1/2" NPT, 1/2" O.D. 1/2" BORE, 1/2" X 1/2" X 1/2" (1/2" X 1/2" X 1/2")
7	01/27/73	WJ	WJ	DESIGN SERVICE VALVE, 100 PSI, 1/2" NPT, 1/2" O.D. 1/2" BORE, 1/2" X 1/2" X 1/2" (1/2" X 1/2" X 1/2")
8	01/27/73	WJ	WJ	DESIGN SERVICE VALVE, 100 PSI, 1/2" NPT, 1/2" O.D. 1/2" BORE, 1/2" X 1/2" X 1/2" (1/2" X 1/2" X 1/2")
9	01/27/73	WJ	WJ	DESIGN SERVICE VALVE, 100 PSI, 1/2" NPT, 1/2" O.D. 1/2" BORE, 1/2" X 1/2" X 1/2" (1/2" X 1/2" X 1/2")
10	01/27/73	WJ	WJ	DESIGN SERVICE VALVE, 100 PSI, 1/2" NPT, 1/2" O.D. 1/2" BORE, 1/2" X 1/2" X 1/2" (1/2" X 1/2" X 1/2")
11	01/27/73	WJ	WJ	DESIGN SERVICE VALVE, 100 PSI, 1/2" NPT, 1/2" O.D. 1/2" BORE, 1/2" X 1/2" X 1/2" (1/2" X 1/2" X 1/2")
12	01/27/73	WJ	WJ	DESIGN SERVICE VALVE, 100 PSI, 1/2" NPT, 1/2" O.D. 1/2" BORE, 1/2" X 1/2" X 1/2" (1/2" X 1/2" X 1/2")
13	01/27/73	WJ	WJ	DESIGN SERVICE VALVE, 100 PSI, 1/2" NPT, 1/2" O.D. 1/2" BORE, 1/2" X 1/2" X 1/2" (1/2" X 1/2" X 1/2")
14	01/27/73	WJ	WJ	DESIGN SERVICE VALVE, 100 PSI, 1/2" NPT, 1/2" O.D. 1/2" BORE, 1/2" X 1/2" X 1/2" (1/2" X 1/2" X 1/2")
15	01/27/73	WJ	WJ	DESIGN SERVICE VALVE, 100 PSI, 1/2" NPT, 1/2" O.D. 1/2" BORE, 1/2" X 1/2" X 1/2" (1/2" X 1/2" X 1/2")
16	01/27/73	WJ	WJ	DESIGN SERVICE VALVE, 100 PSI, 1/2" NPT, 1/2" O.D. 1/2" BORE, 1/2" X 1/2" X 1/2" (1/2" X 1/2" X 1/2")
17	01/27/73	WJ	WJ	DESIGN SERVICE VALVE, 100 PSI, 1/2" NPT, 1/2" O.D. 1/2" BORE, 1/2" X 1/2" X 1/2" (1/2" X 1/2" X 1/2")
18	01/27/73	WJ	WJ	DESIGN SERVICE VALVE, 100 PSI, 1/2" NPT, 1/2" O.D. 1/2" BORE, 1/2" X 1/2" X 1/2" (1/2" X 1/2" X 1/2")
19	01/27/73	WJ	WJ	DESIGN SERVICE VALVE, 100 PSI, 1/2" NPT, 1/2" O.D. 1/2" BORE, 1/2" X 1/2" X 1/2" (1/2" X 1/2" X 1/2")
20	01/27/73	WJ	WJ	DESIGN SERVICE VALVE, 100 PSI, 1/2" NPT, 1/2" O.D. 1/2" BORE, 1/2" X 1/2" X 1/2" (1/2" X 1/2" X 1/2")



COMPRESSION SPECIFICATIONS	
BORE	#20.3 mm (0.818 in.)
STROKE	32.8 mm (1.291 in.)
DISPLACEMENT PER REVOLUTION	15.49 cc / rev. (0.95 cu. in. / rev.)
NUMBER OF CYLINDERS	7
MAXIMUM ALLOWABLE R.P.M.	4000 R.P.M.
MAXIMUM ALLOWABLE CONTINUOUS R.P.M.	4000 R.P.M.
REFRIGERANT	R134a
OIL (C/SF-20)	300-55 (S-101-4197)
WEIGHT	7.4 kg (16.4 lb.)
CUSTOMER PART NUMBER	3E1907

CLUTCH SPECIFICATIONS	
RATED VOLTAGE	DC 12V
BREAKAWAY TORQUE	3.5 kgf-cm (0.8 lbf)
MINIMUM ENGAGEMENT VOLTAGE	7.5V @ AIR GAP 0.6mm REF.
POWER CONSUMPTION	43 WATTS MAX.
BELT TYPE	A TYPE
MAXIMUM ALLOWABLE BELT TENSION	60 kgf
FULLEY DIAMETER	#38mm (1.535 in.)
CLUTCH TYPE	SCALD HEAVY DUTY

COMPRESSION SPECIFICATIONS	
BORE	#20.3 mm (0.818 in.)
STROKE	32.8 mm (1.291 in.)
DISPLACEMENT PER REVOLUTION	15.49 cc / rev. (0.95 cu. in. / rev.)
NUMBER OF CYLINDERS	7
MAXIMUM ALLOWABLE R.P.M.	4000 R.P.M.
MAXIMUM ALLOWABLE CONTINUOUS R.P.M.	4000 R.P.M.
REFRIGERANT	R134a
OIL (C/SF-20)	300-55 (S-101-4197)
WEIGHT	7.4 kg (16.4 lb.)
CUSTOMER PART NUMBER	3E1907

CLUTCH SPECIFICATIONS	
RATED VOLTAGE	DC 12V
BREAKAWAY TORQUE	3.5 kgf-cm (0.8 lbf)
MINIMUM ENGAGEMENT VOLTAGE	7.5V @ AIR GAP 0.6mm REF.
POWER CONSUMPTION	43 WATTS MAX.
BELT TYPE	A TYPE
MAXIMUM ALLOWABLE BELT TENSION	60 kgf
FULLEY DIAMETER	#38mm (1.535 in.)
CLUTCH TYPE	SCALD HEAVY DUTY

SANDEN
 MODEL 3 AUTOMATIC 5.5 A.S. 1.1C
 DO NOT SCALE METRIC
 SD7H15GK4608
 COMPRESSOR
 4608-6000