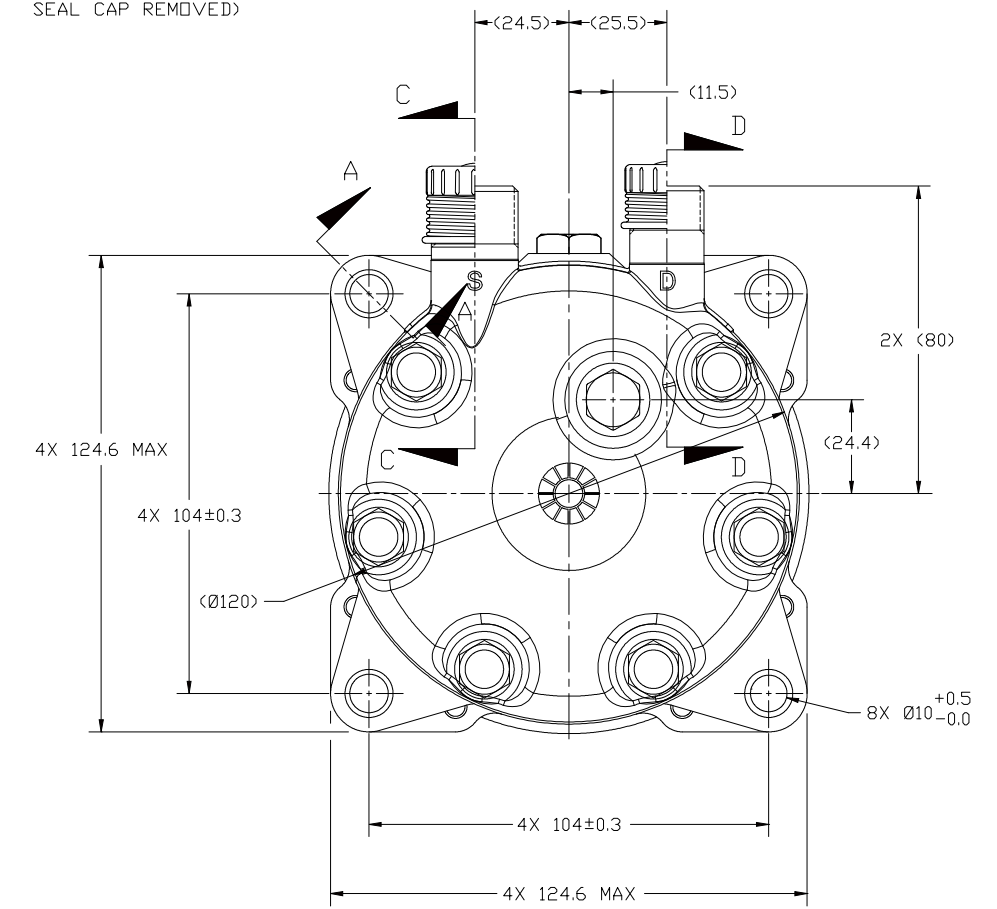
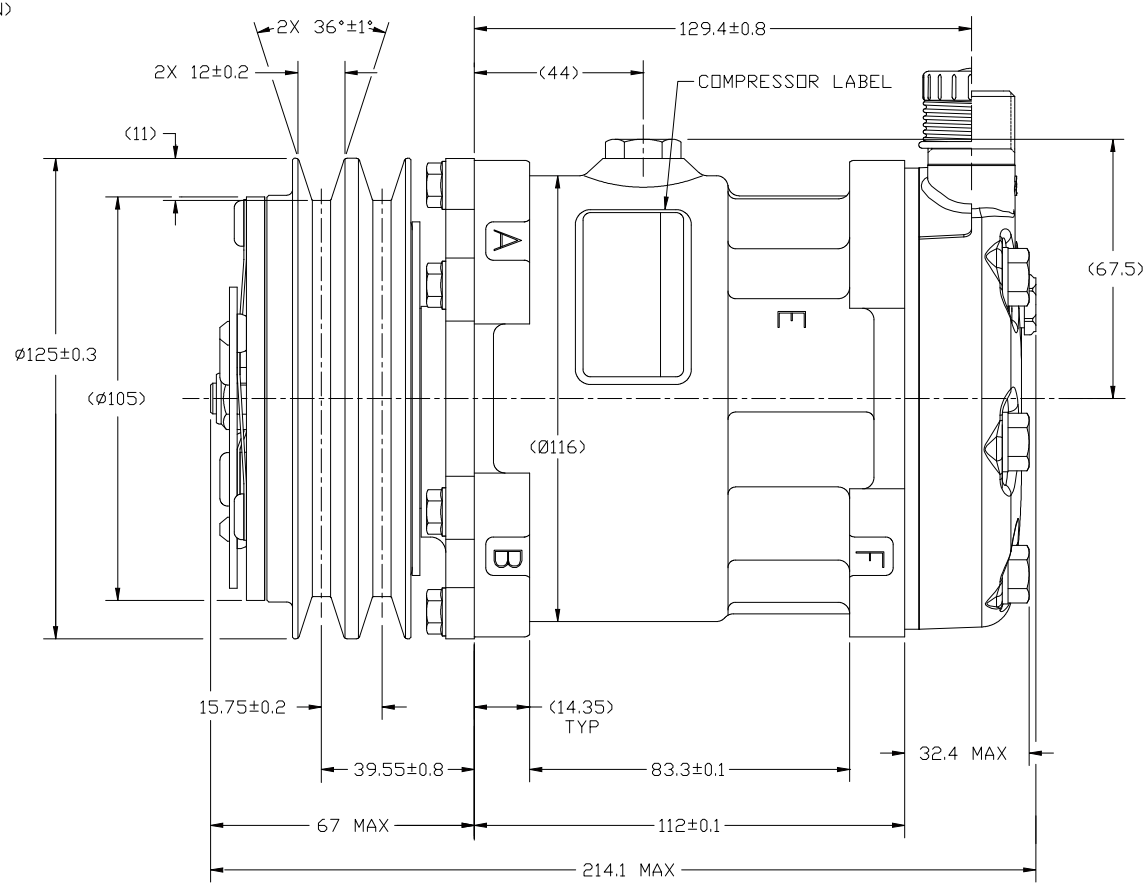
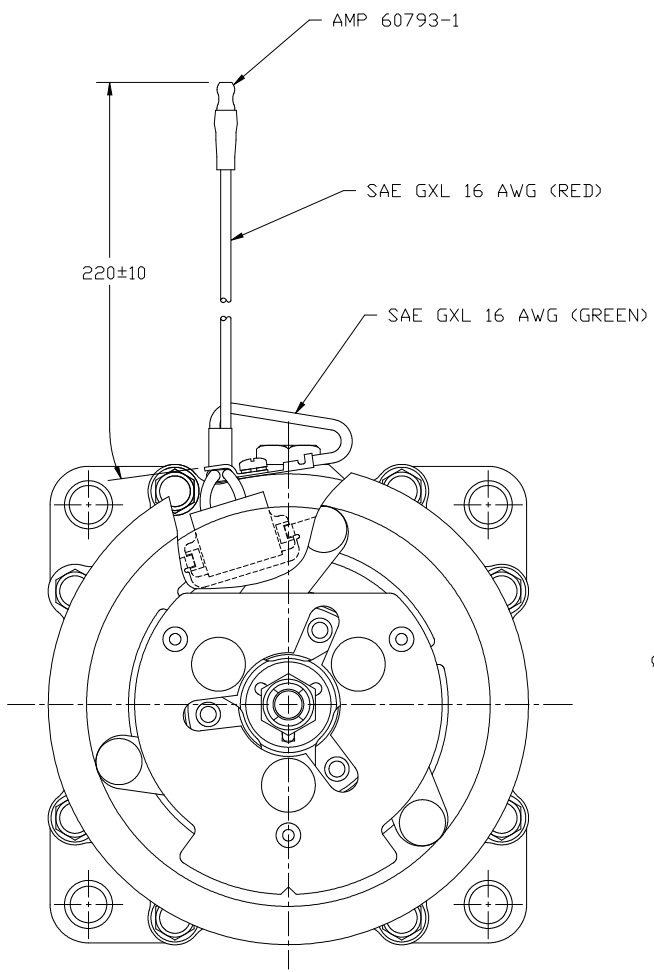
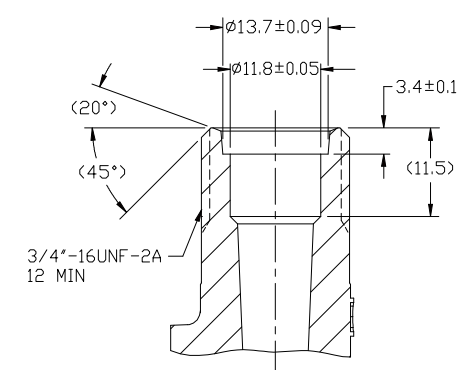
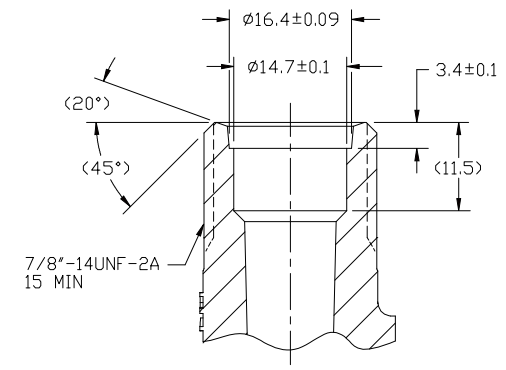
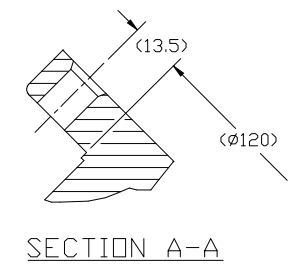


PDCN	REV.	APPV	DATE	REVISIONS	DWN	DSGN	CHK	APPV
				INITIAL ISSUE				



COMPRESSOR SPECIFICATIONS (REF.)

DISPLACEMENT PER REVOLUTION	154.9 cc / rev. (9.5 cu. in. / rev.)
MAXIMUM ALLOWABLE R.P.M.	8000 R.P.M.
MAXIMUM ALLOWABLE CONTINUOUS R.P.M.	6000 R.P.M.
REFRIGERANT	R134a
OIL (SP-15)	300 cc (10.1 floz.)
WEIGHT	7.6 Kg (16.8 LBS)

CLUTCH SPECIFICATIONS (REF.)

RATED VOLTAGE	DC 12V
BREAKAWAY TORQUE	3.5 kgf-m min. @ 12V
MINIMUM ENGAGEMENT VOLTAGE	7.5V @ AIR GAP 0.6mm
POWER CONSUMPTION	49 watts max.
BELT TYPE	A TYPE
MAXIMUM ALLOWABLE BELT TENSION	60 kgf per belt
PULLEY DIAMETER	Ø125 mm (4.92 in.)
CLUTCH TYPE	HEAVY DUTY

NOTE:

DO NOT SCALE

REV. LEVEL	RELEASED FOR ENGG DEVELOPMENT DSGN Dennis Lee 4/30/10 CHK J. Sokolowski APPV. Hoden Farah DATE 4-30-10	 SANDEN INTERNATIONAL (U.S.A.), INC. This drawing and the information contained hereon are CONFIDENTIAL and PROPRIETARY to Sanden International (U.S.A.), Inc. and shall not be used, copied, or disclosed to others without the written permission of Sanden International (U.S.A.), Inc.
REV. LEVEL	RELEASED FOR DESIGN VALIDATION DSGN Dennis Lee 4/30/10 APPV. Hoden Farah DATE 4-30-10	
REV. LEVEL	RELEASED FOR PRODUCTION VAL'D. DSGN Dennis Lee 4/30/10 APPV. Hoden Farah DATE 4-30-10	INTERPRETATION OF THIS DRAWING PER ASME Y14.5M-1994 THIRD ANGLE PROJECTION SIZE D
REV. LEVEL	RELEASED FOR PRODUCTION DSGN Dennis Lee 4/30/10 APPV. Hoden Farah DATE 4-30-10	MATERIAL: NAME SD7H15 ENHANCED CAPACITY COMPRESSOR DWG. NO. 4593-6000 REV. A