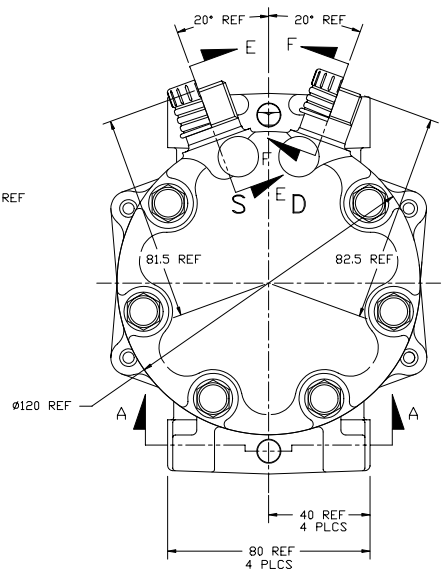
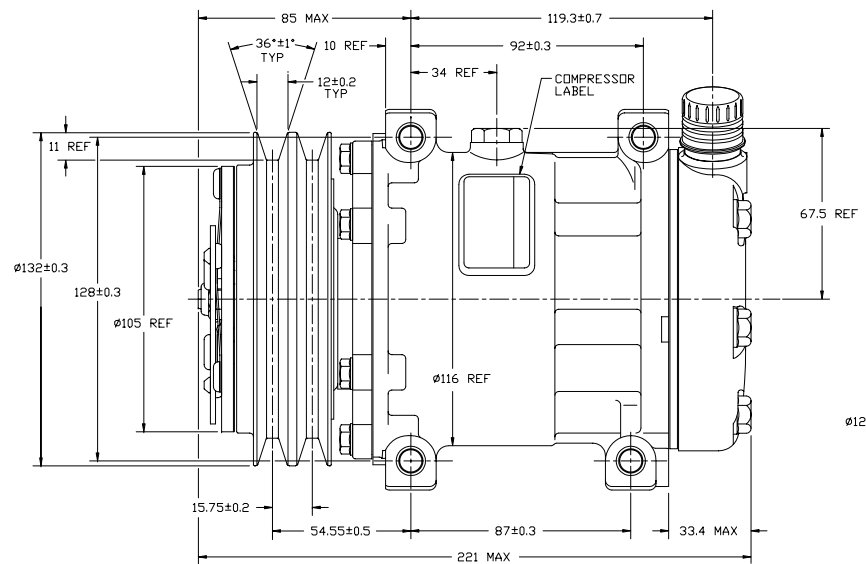
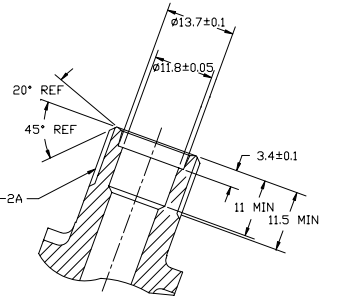
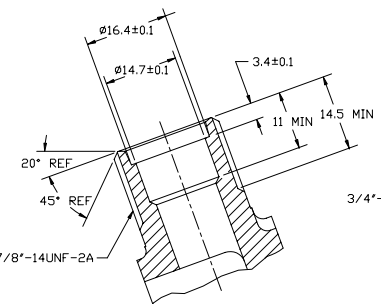
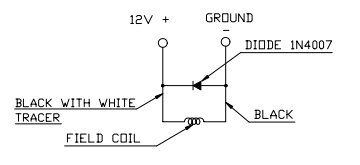
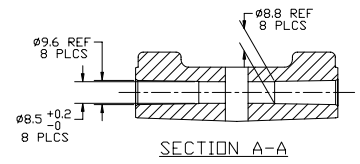
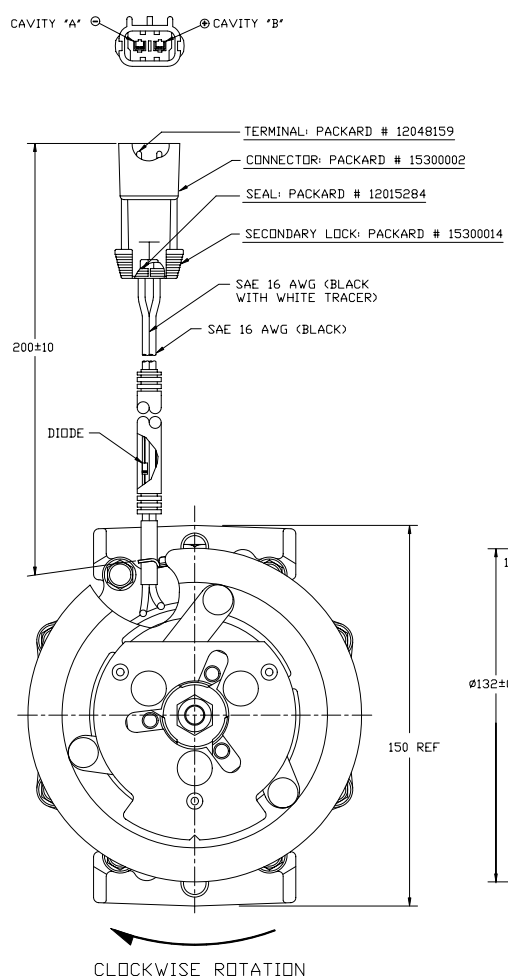


PCDN	REV	APPV DATE	REVISIONS	DWN	ESGN	CHK	APPV
Δ			INITIAL ISSUE				



**COMPRESSOR SPECIFICATIONS**

DISPLACEMENT PER REVOLUTION	154.9 cc / rev. ( 9.5cu.in. / rev. )
MAXIMUM ALLOWABLE R.P.M.	8000 R.P.M.
MAXIMUM ALLOWABLE CONTINUOUS R.P.M.	6000 R.P.M.
REFRIGERANT	R134a
DIL ( SP-15 )	300 cc ( 10.1 fl.oz. )
WEIGHT	7.4 kg ( 16.4 lb. )

**CLUTCH SPECIFICATIONS**

RATED VOLTAGE	DC 12V
BREAKAWAY TORQUE	3.5 kgf-m min. @ 12V
MINIMUM ENGAGEMENT VOLTAGE	7.5V @ AIR GAP 0.6mm REF
POWER CONSUMPTION	49 watts max.
BELT TYPE	A TYPE
MAXIMUM ALLOWABLE BELT TENSION	60 kgf PER BELT
PULLEY DIAMETER	Ø132 mm ( 5.2 in. )
CLUTCH TYPE	HEAVY DUTY

REV. LEVEL	RELEASED FOR PRODUCTION	<p>SANDEN INTERNATIONAL (U.S.A.), INC.</p>
A	CHK: J. Harrison APPV: NB JC DATE: 4/12/04	
REV. LEVEL	RELEASED FOR DESIGN VALIDATION	<p>INTERPRETATION OF THIS DRAWING PER  ASME Y14.5M-1994</p> <p>THIRD ANGLE PROJECTION</p>
A	CHK: J. Harrison APPV: NB JC DATE: 4/13/04	
REV. LEVEL	RELEASED FOR PRODUCTION	<p>MATERIAL:</p> <p>NAME:</p> <p>COMPRESSOR</p>
A	CHK: J. Harrison APPV: NB JC DATE: 4/13/04	
REV. LEVEL	RELEASED FOR PRODUCTION	<p>DWG. NO. 4491-6000</p> <p>REV. A</p>
A	CHK: J. Harrison APPV: NB JC DATE: 4/13/04	

DO NOT SCALE