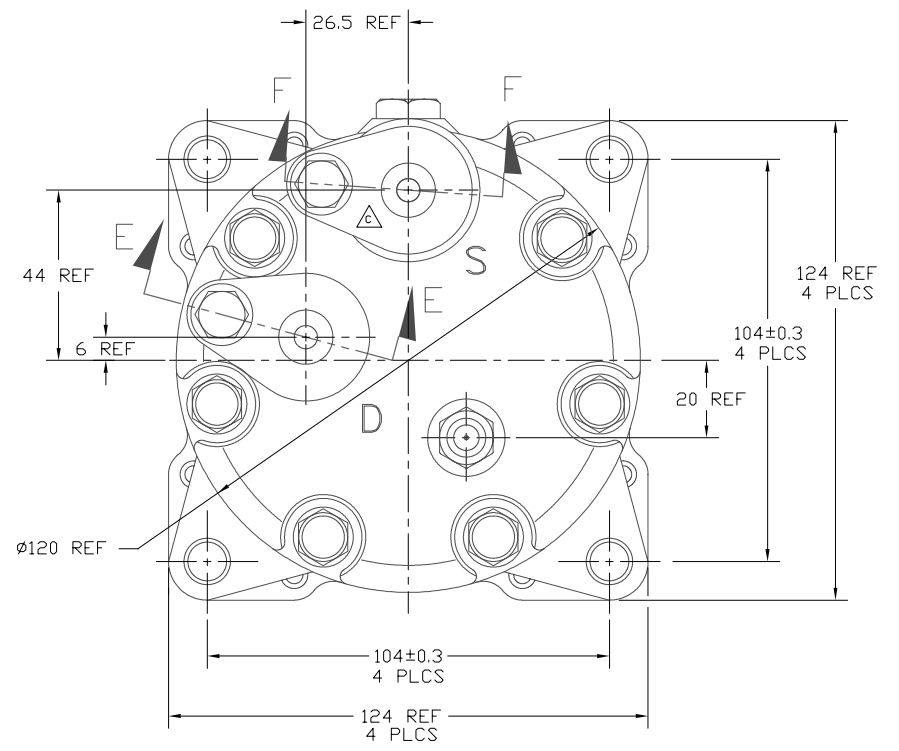
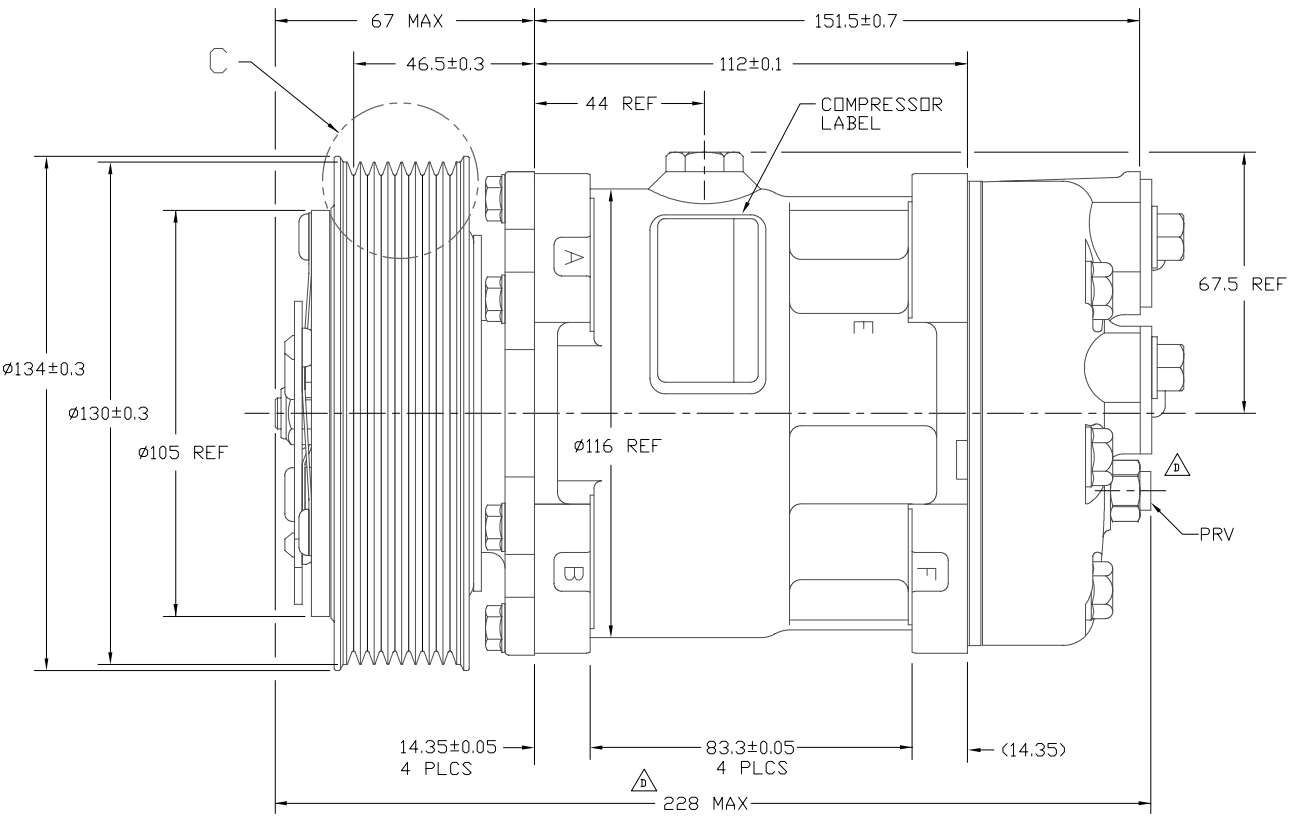
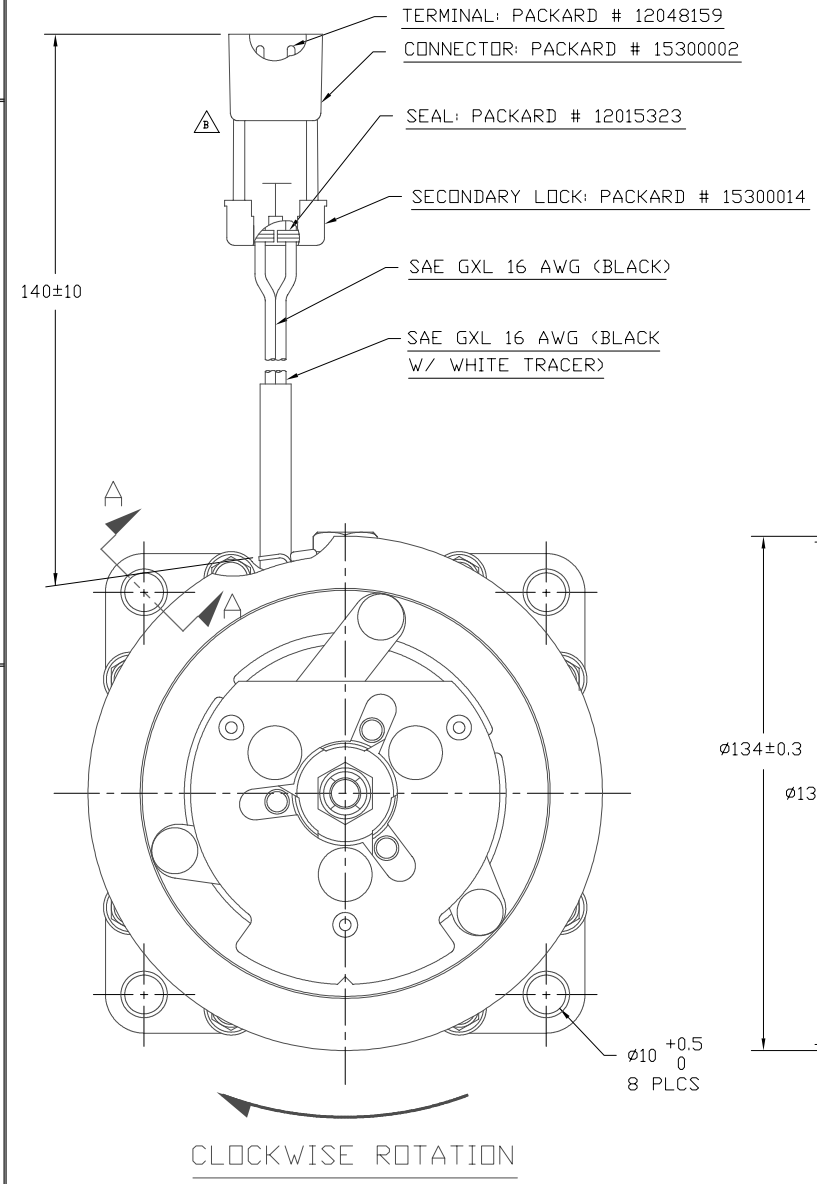
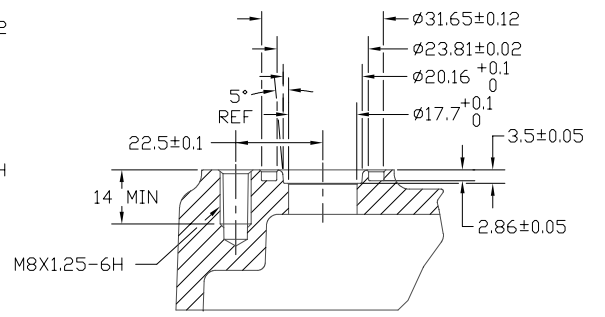
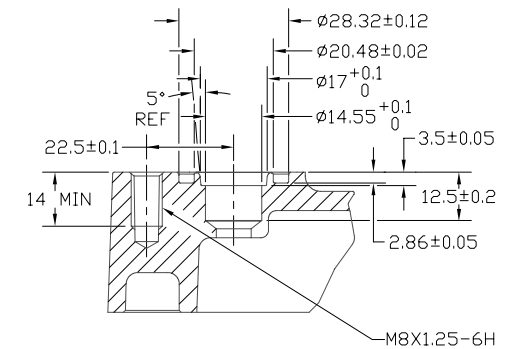
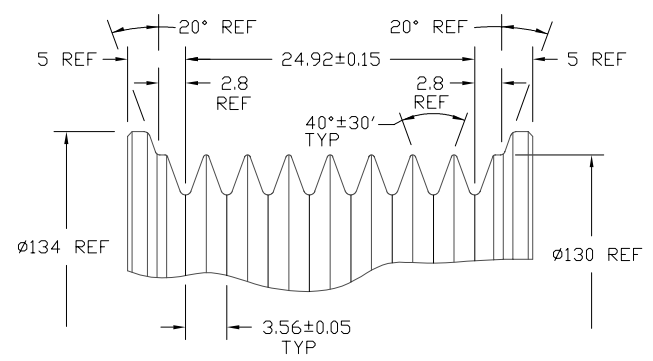
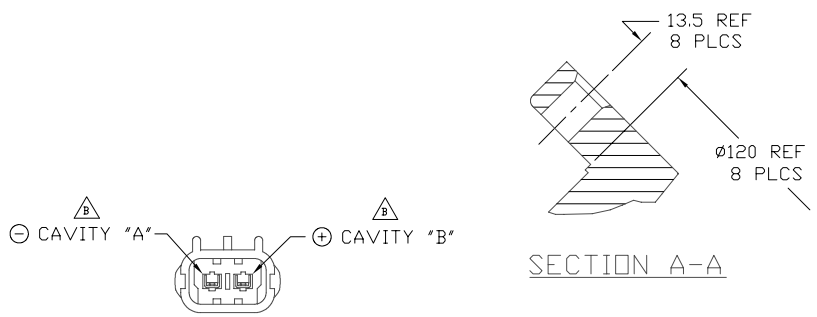


PDN. NO.	REV.	DATE	REVISIONS	DWN	DSGN	CHK	APPV
	A		INITIAL RELEASE				
2004105	B	08/27/04	CHANGED WIRE CAVITY - BLACK WITH WHITE TRACER WIRE TO CAVITY 'B' AND BLACK WIRE TO CAVITY 'A', ADDED CAVITY 'A' TO CAVITY 'B'	RSR	HF	DRL	RG
2005188	B	09/15/05	CHANGED SUCTION PORT SHIPPING PLATE FROM 8003-6330 TO 8003-6340	RSR	NB	DRL	NB
2006310	B	12/11/06	PRV 4307-6470 WAS 4967-6470 228 MAX WAS 227 MAX	RSR	JW	DRL	TK



COMPRESSOR SPECIFICATIONS (REF)

DISPLACEMENT PER REVOLUTION	154.9 cc / rev. (9.5cu.in. / rev.)
MAXIMUM ALLOWABLE R.P.M.	8000 R.P.M.
MAXIMUM ALLOWABLE CONTINUOUS R.P.M.	6000 R.P.M.
REFRIGERANT	R134a
OIL (SP-15)	300 cc (10.1 fl.oz.)
WEIGHT	7.2 kg (15.8 lb.)

CLUTCH SPECIFICATIONS (REF)

RATED VOLTAGE	DC 12V
BREAKAWAY TORQUE	3.5 kgf-m min. @ 12V
MINIMUM ENGAGEMENT VOLTAGE	7.5V @ AIR GAP 0.6mm
POWER CONSUMPTION	49 watts max.
BELT TYPE	PV8 TYPE
MAXIMUM ALLOWABLE BELT TENSION	120 kgf
PULLEY DIAMETER	130mm (5.1 in.)
CLUTCH TYPE	HEAVY DUTY

DO NOT SCALE

REV. LEVEL	RELEASED FOR: ENG'G DEVELOPMENT	<p>SANDEN INTERNATIONAL (U.S.A.), INC.</p>	DRAWN SCALE REF 1:1 PLOTTED SCALE REF NONE METRIC
DWN	J Sokolowski		
CHK	Dennis Lee 4/8/04	This drawing and the information contained hereon are CONFIDENTIAL and PROPRIETARY to Sanden International (U.S.A.), Inc., and are received in CONFIDENCE and shall not be used, copied, or disclosed to others without the written permission of Sanden International (U.S.A.), Inc.	INTERPRETATION OF THIS DRAWING PER ASME Y14.5M-1994
APPV.	NB JC		
REV. LEVEL	RELEASED FOR: DESIGN VALIDATION	INTERPRETATION OF THIS DRAWING PER ASME Y14.5M-1994	THIRD ANGLE PROJECTION
DWN	M Harrington		
APPV.	NB JC	MATERIAL:	SIZE D
REV. LEVEL	RELEASED FOR: PRODUCTION VAL'D.		
DWN	M Harrington	NAME:	COMPRESSOR
APPV.	NB JC		
REV. LEVEL	RELEASED FOR: PRODUCTION	DWG. NO.	REV.
DWN	M Harrington		
APPV.	NB JC	4490-6000	D