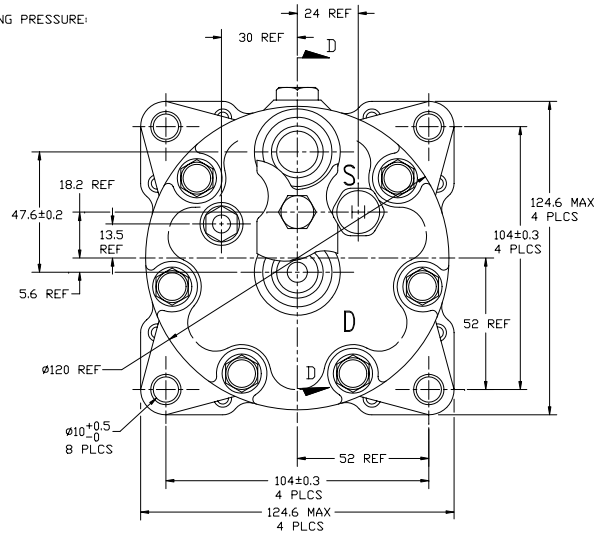
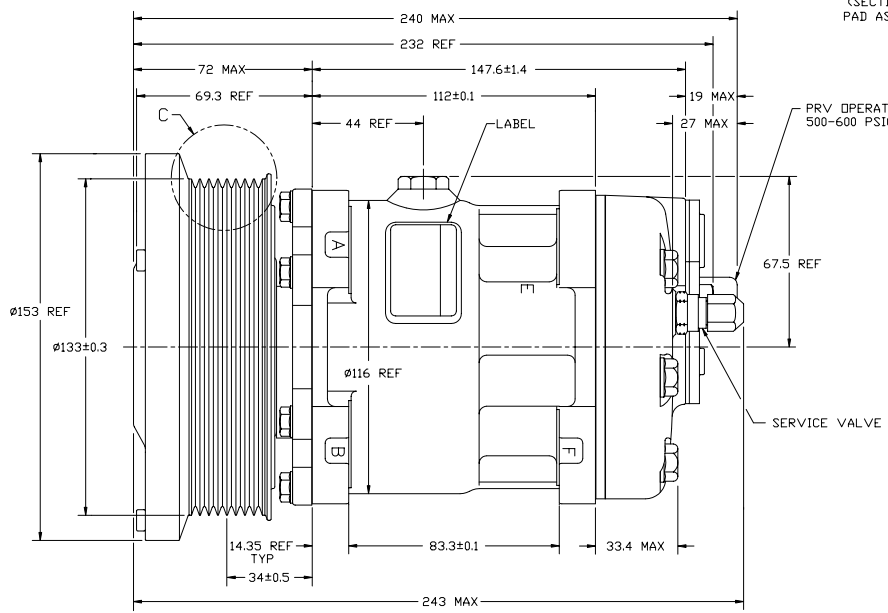
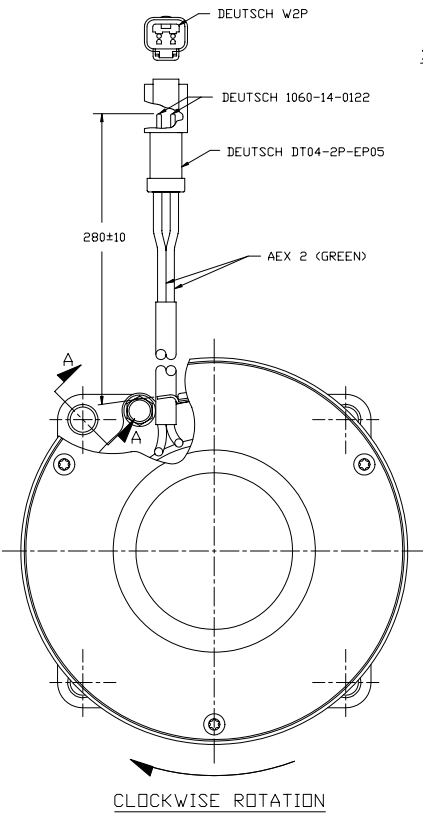
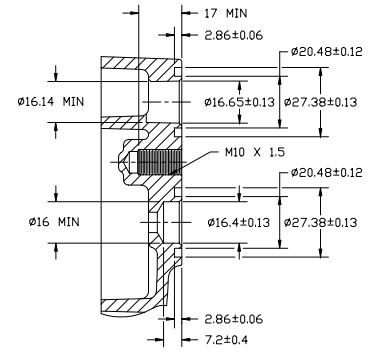
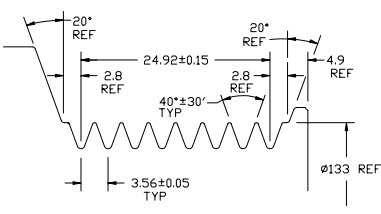
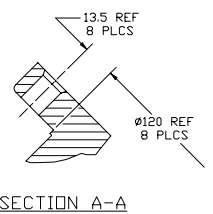
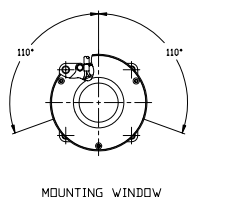


PRCH	REV	APPR DATE	REVISIONS	ENR	ESGN	CHK	APPR
			INITIAL RELEASE				



**COMPRESSOR SPECIFICATIONS**

DISPLACEMENT PER REVOLUTION	154.9 cc / rev. ( 9.5cu.in. / rev. )
MAXIMUM ALLOWABLE R.P.M.	4000 R.P.M.
MAXIMUM ALLOWABLE CONTINUOUS R.P.M.	4000 R.P.M.
REFRIGERANT	R134a
DIL ( SP-15 )	300 cc ( 10.1 floz. )
WEIGHT	9.0 kg ( 19.7 lb. )

**CLUTCH SPECIFICATIONS**

RATED VOLTAGE	DC 24V
BREAKAWAY TORQUE	3.5 kgf-m min. @ 24V
MINIMUM ENGAGEMENT VOLTAGE	16V @ AIR GAP 0.6mm REF
POWER CONSUMPTION	34 watts max.
BELT TYPE	PV8 TYPE
MAXIMUM ALLOWABLE BELT TENSION	120 kgf
PULLEY DIAMETER	133mm ( 5.2 in. )
CLUTCH TYPE	SEALED HEAVY DUTY

REV. LEVEL	RELEASED FOR PRODUCTION	DATE	1/13/04	APPR. DATE	1/13/04	SCALE	1:1	UNIT	METRIC
APPR. DATE	1/13/04	SCALE	1:1	UNIT	METRIC	This drawing and the information contained herein are CONFIDENTIAL and PROPRIETARY to Sanden International (U.S.A.), Inc. and are released in confidence and shall not be used, copied, or disclosed to others without the written permission of Sanden International (U.S.A.), Inc.			
REV. LEVEL	RELEASED FOR DESIGN VALIDATION	DATE	1/13/04	APPR. DATE	1/13/04	SCALE	1:1	UNIT	METRIC
APPR. DATE	1/13/04	SCALE	1:1	UNIT	METRIC	INTERPRETATION OF THIS DRAWING PER ASME Y14.5M-1994			
REV. LEVEL	RELEASED FOR PRODUCTION	DATE	4/13/2004	APPR. DATE	4/13/2004	SCALE	1:1	UNIT	METRIC
APPR. DATE	4/13/2004	SCALE	1:1	UNIT	METRIC	THIRD ANGLE PROJECTION			
REV. LEVEL	RELEASED FOR PRODUCTION	DATE	4/13/2004	APPR. DATE	4/13/2004	SCALE	1:1	UNIT	METRIC
APPR. DATE	4/13/2004	SCALE	1:1	UNIT	METRIC	MATERIAL			
REV. LEVEL	RELEASED FOR PRODUCTION	DATE	4/13/2004	APPR. DATE	4/13/2004	SCALE	1:1	UNIT	METRIC
APPR. DATE	4/13/2004	SCALE	1:1	UNIT	METRIC	NAME			
REV. LEVEL	RELEASED FOR PRODUCTION	DATE	4/13/2004	APPR. DATE	4/13/2004	SCALE	1:1	UNIT	METRIC
APPR. DATE	4/13/2004	SCALE	1:1	UNIT	METRIC	COMPRESSOR			
REV. LEVEL	RELEASED FOR PRODUCTION	DATE	4/13/2004	APPR. DATE	4/13/2004	SCALE	1:1	UNIT	METRIC
APPR. DATE	4/13/2004	SCALE	1:1	UNIT	METRIC	DWG. NO. 4487-6000			

DO NOT SCALE